

You'll never find more affordable comfort than the high back seats illustrated on this page. A high back seat provides relief to long hours of driving by relieving back strain. Especially our models with adjustable lumbar support. They give you a sense of security and help reduce neck injury in case of accidents.

Includes
Slides



70-010 All Black Cloth High Back Seat with slides, arms and **with adjustable lumbar back support**, (see Lumbar illustration below).

70-013 All Black Cloth High Back Seat with slides, arms and **without adjustable lumbar**

Includes
Slides



70-020 All Black Cloth High Back Seat with slides, no arms. Includes adjustable lumbar back support, (see Lumbar illustration below).

Includes
Slides



70-030 All Gray Cloth High Back Seat with slides, no arms. without lumbar support.

70-035 All Black Cloth High Back Seat with slides, no arms. without lumbar support.



Seat
Belt
Slot

70-060 All Cloth (Salt/Pepper) High Back Seat - Used on later model Morgan Olson trucks. Slides not included.

73-192 3-Point Seat Belt only for seat 70-060 (Not included with seat).

Reclining

Includes
Slides



70-070 All Black Cloth Reclining High Back Seat. Includes Arms, Lumbar and Reclining feature. Slides included.

Includes
Slides



70-050 All Black Vinyl High Back Seat with slides, no arms.

Includes
Slides

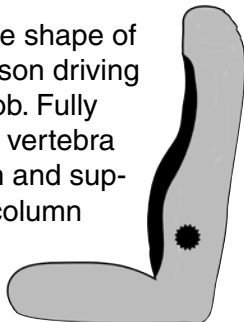


70-040 All Black Vinyl High Back Seat with slides and arms.

Your Company Initials or Logo can be added for free to all Vinyl Seats when ordering in quantities of 100 or more.

Adjustable Lumbar Back Support

Easily adjusts to the shape of the back of the person driving by the turn of a knob. Fully supports his or her vertebra by altering the arch and supporting the spinal column from the pelvis to the shoulders.



ADAPTOR PLATE

(fits Grumman/Morgan Only)

72-150

Mill Supply seats require a flat surface to mount to. If you are converting from a tubular frame seat with a built in pedestal you will need to order this adaptor plate. The square shaft will fit into your existing floor pedestal mount.

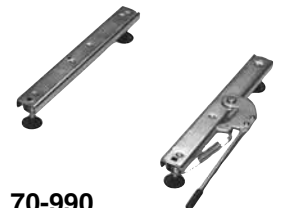


LUMBAR KNOB

73-100

Replacement Knob for Adjustable Lumbar Support

SEAT SLIDES



70-990

Seat Slides (pair). Seat slides are included with all new seat assemblies except 70-060.

BLUE VINYL SEAT BACK & BOTTOM



70-290
Blue vinyl seat back

These blue vinyl seat cushions are a perfect color match for the original equipment on Grumman Olson vans. Heavy duty vinyl is used with thick padding to assure equal or better quality and comfort than the original.



70-293 - Blue *vinyl* seat bottom. Large 18" x 18" size. Includes seat clamp set 70-999

70-295 - Blue *nylon* seat bottom. Includes seat clamp set 70-999

LOW BACK SEATS

20-1/2" W x 25"D x 22"H

- Welded steel frame
- Thick molded foam
- Heavy-duty springs
- Support Gussets



F-7100

Vinyl Low Back Seat, Without Slides

F-7100-S

Vinyl Low Back Seat, With Slides

M-1445C

Cloth Low Back Seat. Black & White Fabric, Salt & Pepper pattern (Special order only).

Seat Cushions that fit Older Style Grumman Seats

Cushion supplied with "L" shaped clips.



70-287 - Black vinyl seat back



70-288 - Black vinyl seat cushion
17" wide x 16" deep

PEDESTAL LOCK PIN



70-995 Lock Pin Assy (pin, cotter, spring, and washer)

70-997 Lock Pin Only

(fits Grumman Only)

3/4" SEAT CLAMPS

70-999
3/4" EMT
Clamp with
one hole

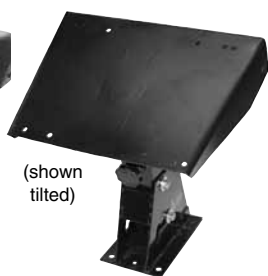
Set of 4



ADJUSTABLE SEAT PEDESTALS



7170 - Tilt Top Pedestal with foot pedal tilt release



(shown tilted)

Adjust from
18" to 20"
in height



11-695 - Fixed Top Pedestal

- Seat Belts Fasten Directly to Pedestal
- Height Adjustable 18", 19", 20"
- Exceeds all Required FMVSS
- Lock Up Knob for Firm & Secure Seat Mount

TOP PLATE MTG. CENTERS

Side to Side - 8, 12-1/2", 14"

Front to Back - 11"

BOTTOM PLATE MTG. CENTERS

Side to Side - 4-3/4"

Front to Back - 8"



70-993

Detent Pull Pin for seat height adjustment.
1/2" x 4"

Adjusts from 8-3/4" to 11-3/4" in height and rotates a full 360°



72-100 - Pedestal designed with the ability to adjust from 8-3/4" to 11-3/4" in height and rotate a full 360°.

NARROW SEAT ASSEMBLIES

Frame Supports are 8" On Center

- Rugged steel construction
 - Spring loaded mechanism prevents finger pinching
 - Extends less than 6" in a stored position
 - Easily removed for multiple use or storage
 - Optional retractable or non-retractable seat belt (shown on the following page)
- 8" Post Centers • 12"W x 8"H Back Cushion
• 14"W x 12"D Seat Cushion • 42" Overall Height



- M-1380 Narrow Assembly Vinyl - w/Non-retractable seat belt (73-170)
M-1380X Narrow Assembly Vinyl - w/Single retractable locking seat belt (73-158)
M-1570 Narrow Assembly Cloth - w/Non-retractable seat belt (73-170)
M-1570X Narrow Assembly Cloth - w/Single retractable locking seat belt (73-158)

STANDARD SEAT ASSEMBLIES

Frame Supports are 10" On Center

- 33% more seat room-for a more comfortable seat!
 - Spring loaded mechanism prevents finger pinching
 - Extends less than 6" in a stored position
 - Easily removed for multiple use or storage
 - Optional retractable or non-retractable seat belt (shown on the following page)
- 10" Post Centers • 18"W x 16"H Back Cushion
• 18"W x 12"D Seat Cushion • 50" Overall Height



- M-1381 Standard Assy Vinyl - w/Non-retractable seat belt (73-170)
M-1381X Standard Assy Vinyl - w/Single retractable locking seat belt (73-158)
M-1571 Standard Assy Cloth - w/Non-retractable seat belt (73-170)
M-1571X Standard Assy Cloth - w/Single retractable locking seat belt (73-158)

SPECIAL SIZE PASSENGER SEAT ASSEMBLY

(Wide Frame - Small Cushions)

Uses the Standard 10" wide frame with the smaller cushions from the narrow jump seat assembly.

- 71-608 - Vinyl Seat with Non-retractable Seat Belt
71-612 - Vinyl Seat with Retractable Seat Belt

SEAT POCKETS



71-660
Jump seat
pocket

71-659
Bolt
and nut
installaion
kit for one
pocket



71-665
Jump seat
pocket with
holes



71-670
Corner Mount
Pocket



71-630
Tether strap
(One per seat needed)



71-621 Eye bolt with
lock washer & nut
(One needed per seat)

SEAT FRAMES

Mounts on
seat frame or directly
to bulkhead.

- 12328 - Replacement seat bracket, 8" width mounting centers
12328-10 - Replacement seat bracket, 10" width mounting centers



- 71-689 - Replacement jump
seat spring



PASSENGER SEAT ACCESSORIES

Seat Backs



71-680 8" x 12"
71-682 18" x 16"
Black Vinyl



SB-3212
32" x 12"
Black Cloth



71-718 Contoured Cloth Seat Back, 29" x 17"W at bottom, 11"W at top. Salt & Pepper tweed. Mounts to bulkhead or wall.

NEW

71-714 Contoured Vinyl Seat Back, 29" x 17"W at bottom, 11"W at top. Mounts to bulkhead or wall.

Seat Cushions



71-720 Contoured Cloth Seat Bottom, 16" x 16". Salt & Pepper tweed.



71-685 12" x 14", Black Vinyl
71-686 12" x 18", Black Vinyl
71-696 12" x 18", Black Cloth

PASSENGER HANDI-FLIP SEATING

Single, Double or Triple Passenger



71-691
Single Seat



71-692
Double Seat



Seats flip up to get out of the way. Only projects 8.5" from wall when folded.

Great for Medium Duty Trucks!!!



71-693
Triple Seat



Group seats with Connector Bracket (71-655) to span wheelwells and other obstructions.

71-691 - Single 'Handi-Flip' Passenger Seat, Salt and Pepper Tweed, 18" wide. Weight: 36 lbs.

71-651 - Single 'Handi-Flip' Passenger Seat, Black Vinyl, 18" wide. Weight: 36 lbs.

71-692 - Double 'Handi-Flip' Passenger Seat, Salt and Pepper Tweed, 36" wide. Weight: 55 lbs.

71-652 - Double 'Handi-Flip' Passenger Seat, Black Vinyl, 36" wide. Weight: 55 lbs.

71-693 - Triple 'Handi-Flip' Passenger Seat, Salt and Pepper Tweed, 53-3/8" wide. Weight: 76 lbs.

71-653 - Triple 'Handi-Flip' Passenger Seat, Black Vinyl, 53-3/8" wide. Weight: 76 lbs.

71-655 - Connector bracket. Provides flexibility when spanning wheelwells and other floor obstructions.

71-657 - Left Leg (replacement), 10-3/4" H

71-658 - Right Leg (replacement), 10-3/4" H

- All seats have accommodations for seat belts.
- Ergonomically correct seat and back. Back cushion can be adjusted to recline 2.5" for increased comfort.
- Molded polyurethane back cushioning for long lasting support & comfort
- Projects only 8.5" when in a stored position
- No gap between the seat and back cushion when folded down
- Seat height reflects the needs of the van and small bus industries. Total height 33", Cushion Height 18"
- All steel construction
- Locks in upright position
- Innovative connecting system
- Infinitely adjustable bolt-on legs tall enough to clear any wheel well
- Flex-o-lator grid seat springs for even support

Two Point Seat Belts

NON RETRACTABLE



73-170 - 70" Non-Retractable style. Push Button style buckle adjustable on one end. Mounting kit includes two bolts w/nuts and lock washers.



73-180 - 100" Non-Retractable style. Push Button style buckle adjustable on one end. Mounting kit includes two bolts w/nuts and lock washers.

SINGLE RETRACTABLE



73-158 - Single Retracting Locking with push button buckle on a fixed end with a stiffener boot. Total length 58" long. Ideal for driver seats.



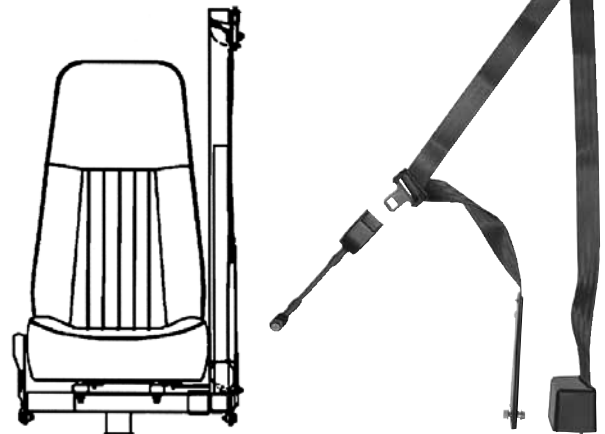
73-175 - New Style Single Retracting Locking. Eliminates dangling straps when released. Leaves you with a snug, comfortable fit that doesn't continually tighten on you. Ideal for bench type seats, jump seats, etc.

Three Point Seat Belts



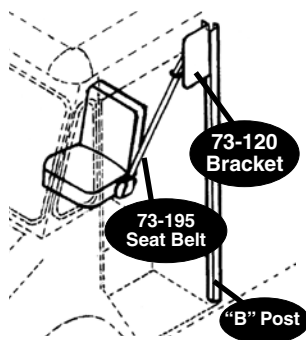
Uses existing mount
for third point.

73-190 - 3 Point Locking Seat Belt. Automatically locks when brakes applied. Mounting hardware included. Easy to use, comfortable to wear. (Not for use with 73-120 bracket)



73-197 - 3-Point Seat Belt, Mounts to Seat Posts that are mounted to seat frame. Popular on Grumman/Morgan Olson

Three Point Upper Mounting Bracket Mounts to "B" Post



73-120 - Bracket for 73-195 or 73-160 seat belt. Will only fit trucks with sliding door.

73-195 - 3-Point Seat Belt, 130" overall length. For use with 73-120 bracket. Black webbing

73-160 - Same as 73-195 but with orange webbing



Black or
Orange

SEATING