

GAS CAP that fits Oshkosh and Freightliner

81-913
Locking Gas
Cap, Oshkosh
& Freightliner
MT-45



81-911
Non-Locking
Gas Cap,
Oshkosh &
Freightliner
MT-45



FUEL PUMP & SENDER

NEW

81-974 - Fuel
Pump that fits
Oshkosh,
John-Deer &
Freightliner
MT-35



81-965 - Adjustable
fuel sender to fit John-
Deere, Oshkosh and
Freightliner MT-35



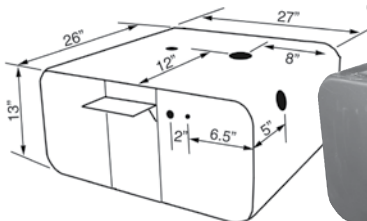
NEW

81-867 Accelerator Cable, JD & Oshkosh

FUEL TANK, 30 Gal (Rear Center Mount) that fits Oshkosh & John-Deere

NEW

Our tanks are treated with Corsol™
to provide the best in anti-corrosive
metal treatment.



30 Gallon



NEW
81-961 Strap
for fuel tank

NEW **81-952** Fuel Tank, 30 gal.
Oshkosh & John-Deere

NEW
81-963
Short
Filler Neck

NEW
81-964
Long
Filler Neck

NEW
81-968 Fuel Filler Tube
Extension, 1-3/4" dia.

NEW
81-954 Filler Hose, 1-3/4" I.D. x 36"
81-834 Vent Hose, 3/4" I.D. x 36"

The BEST Fuel Line
you'll ever work with!
Lifetime Warranty
against corrosion!

NEW
99-1238
3/8 Line, 25 ft.
99-1516
5/16 Line, 25 ft.

ENGINE BLOCK HEATERS

ZEROSTART

Fits Cummins
4B3.9/4BT3.9 &
6B5.9/6BT5.9, right
side of engine.



56-750 - 750 Watt (240 volt) Engine Block Heater
(freeze plug style) with cord.

56-751 - Cord only for 56-750 (included with 56-750)

56-740 - 750 Watt (120 volt) Engine Block Heater
(freeze plug style) with cord.

56-741 - Cord only for 56-740 (included with 56-740)



56-753 - 750 Watt (120 volt) Engine Block Heater
(immersion style) with standard cord. When wiring into a
weatherproof field wired receptacle (ie: 56-005) use cord
56-756. Installs in 3/4" NPT port to rear of engine.
**2003-08 Cummins diesel ISB 4 Cyl. 3.9L and 6 Cyl.
5.9L engine. Freightliner chassis.**

56-756 - Cord Only
(7 foot) that fits
Freightliner chassis



**For Plugs, Cordsets and
Brackets see page 165**

HORNS

Single or Dual Terminal Horn
Hardware Includes: strip bracket,
pigtail, screws and nuts.



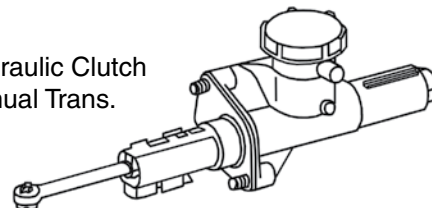
87-040 - 12 volt Horn, *High note*, 125 decibels

87-043 - 12 volt Horn, *Low note*, 125 decibels

TRANSMISSION/DRIVE SHAFT

NEW

10-564 - Hydraulic Clutch
Cylinder Manual Trans.



2448 - Trans Mount,
Manual Transmission



HYDROBOOSTS

that fits John-Deere & Oshkosh

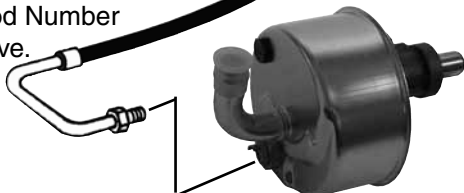


The John-Deere & Oshkosh Hydroboost we stock has a rod number of 71469. If you have a different number call us so we can order the correct hydroboost.



NEW
10-545 - Hydroboost that fits John-Deere & Oshkosh without ABS. Rod Number 71469. See above.

NEW
10-555 - Pressure Line with O-rings, Hydroboost to Steering Pump. Fits MT-35, Oshkosh & John-Deere



89-881
Power Steering Pump without Reservoir, fits Cummins engine. (No core exchange necessary)



89-863 Power steering gear box. Full 26 spline shaft with pinch bolt, metric. Remanufactured, return core for credit



89-884 - Power steering gear box. Return core for credit

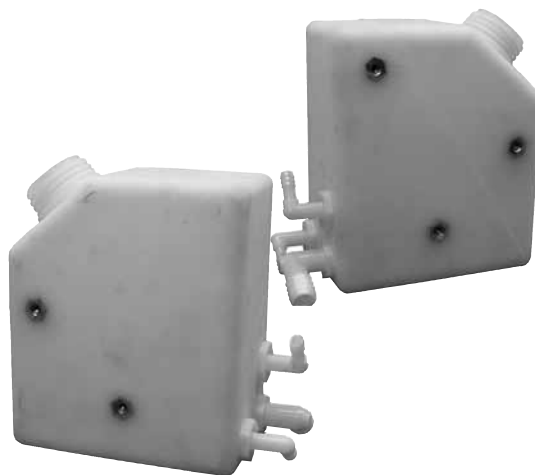
MASTER CYLINDER

that fits John-Deere & Oshkosh



NEW
10-547 - Master Cylinder
Bore Dia: 1-15/16"
Primary Outlet: 7/16" x 24
Secondary Outlet: 9/16" x 18

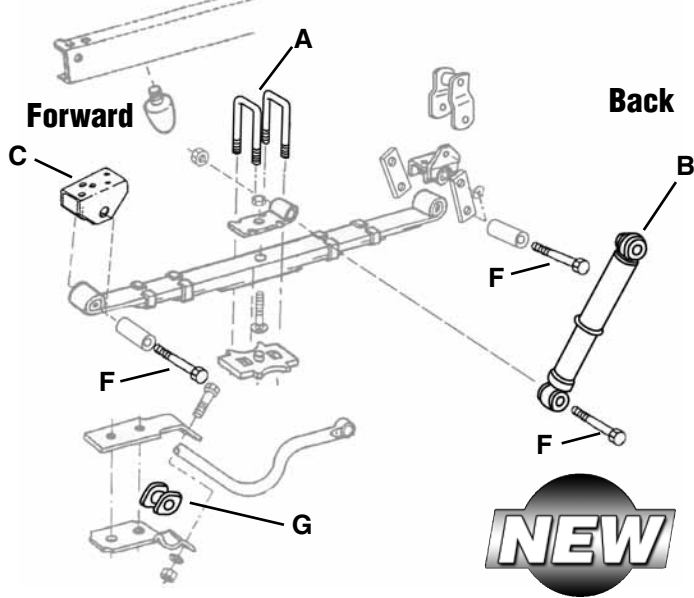
Mill Supply has many master cylinders. See page 236-237 for master cylinders for medium duty trucks.



NEW 10-977 - Reservoir for Hydroboost (from serial #107711)
NEW 10-981 - Reservoir Cap

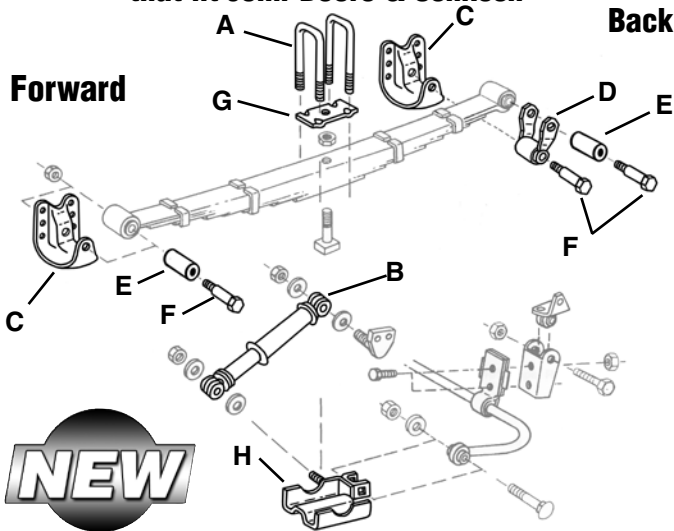
Radiator that fits
John-Deere and Oshkosh
Coming Soon!!

FRONT AXLE SUSPENSION
that fit John-Deere & Oshkosh



- A....10-671U-Bolt, 5/8"x7" Front Suspension
- B....10-681Gabriel Front Shock
- C....10-382RH Hanger, front
- C....10-384LH Hanger, front
- F....10-664Shoulder bolt, 5/8" x 5"
- G ...10-643Bushing, Sway Bar, J-D, each
- G ...10-655Bushing, Sway Bar, Oshkosh, each

REAR AXLE SUSPENSION
that fit John-Deere & Oshkosh

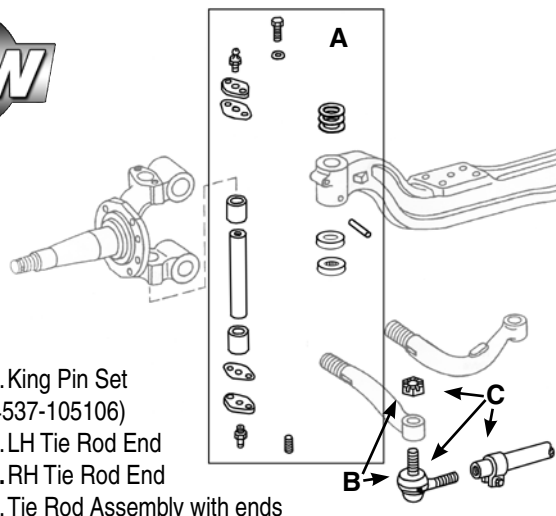


- A....10-663U-Bolt, rear suspension 11-1/2" x 3-1/8" ID. x 5/8"
- B....10-677Gabriel Rear Shock
- C....10-662Hanger
- D....10-644Shackle
- E....10-656Bushing, Shackle and Spring
- F....10-658Shoulder bolt for Shackle 3/4"x5"
- G....10-673Top U-Bolt Plate
- H....10-675LH Bottom U-Bolt Plate
- H....10-676RH Bottom U-Bolt Plate

FRONT & REAR BRAKE HOSE **NEW**

- 10-640 Front Brake Hose, fits LH or RH. Fits dual piston caliper (10-826 following page)
- 10-637 LH Rear Brake Hose. Fits dual piston caliper (10-826)
- 10-638 RH Rear Brake Hose. Fits dual piston caliper (10-826)

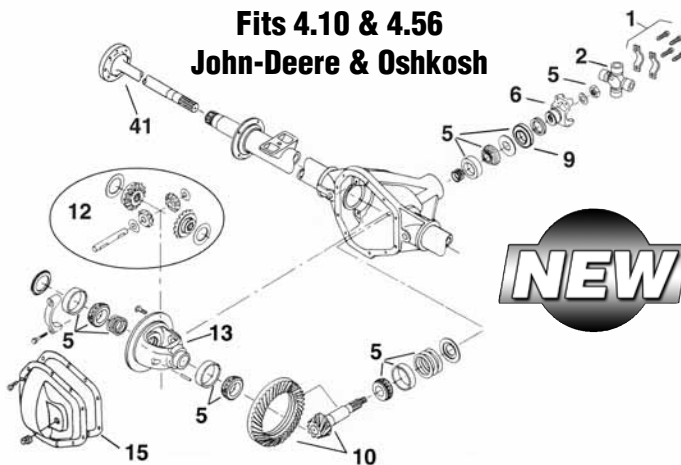
KING PIN & TIE RODS
that fit John-Deere & Oshkosh



- A....89-063King Pin Set
(Serial # 104537-105106)
- B....10-650LH Tie Rod End
- B....10-653RH Tie Rod End
- C....10-666Tie Rod Assembly with ends

DANA 70-HD REAR AXLE PARTS

Fits 4.10 & 4.56
John-Deere & Oshkosh

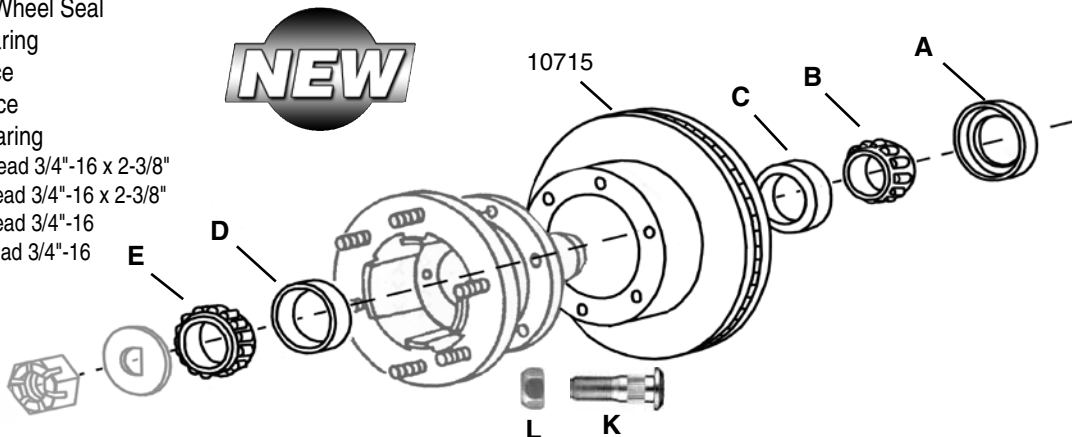


Index No.	Description	Part No.
1	U-Joint Clamp for 89-903	89-907
2	U-Joint	89-903
5	Bearing Kit, Incl: Inner and outer pinion bearing, (2) differential bearings, pinion seal and nut, pinion and carrier shims, sealant, threadlocker with brush, gear marking compound	90-586
6	Yoke, Spicer 1410 Series	90-516
9	Pinion Seal only	90-587
10	456 Ring & Pinion set	90-666
10	410 Ring & Pinion set	90-610
12	Differential Spider Gear Kit	90-462
13	456 Differential Case assembled with inner spider gears	90-456
13	410 Differential Case assembled with inner spider gears	90-410
15	Gasket, 10 hole	90-592
41	Axle Shaft	90-441

FRONT WHEEL SEALS & BEARINGS that fit John-Deere & Oshkosh

Dual Piston Brake Caliper with 4-Wheel Disc without ABS

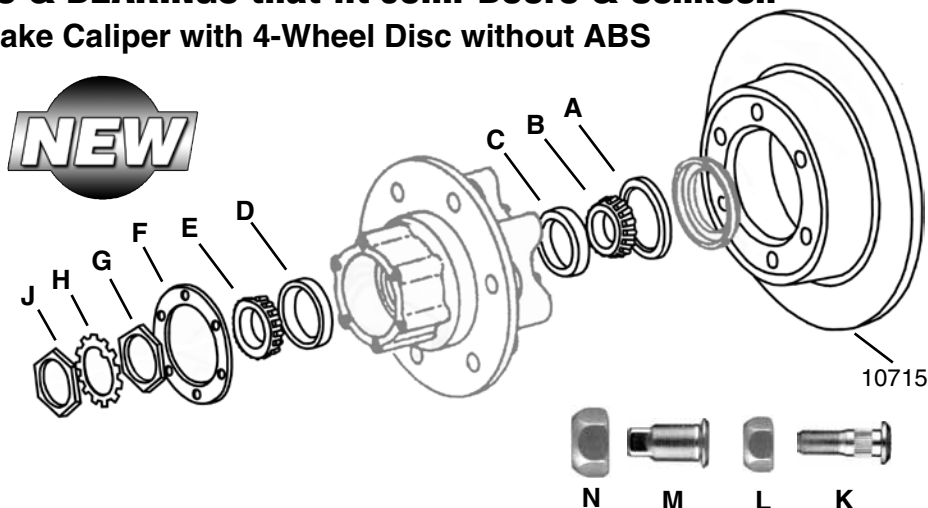
- A 10-931National Front Wheel Seal
- B 10-932Front Inner Bearing
- C 10-933Front Inner Race
- D 10-934Front Outer Race
- E 10-935Front Outer Bearing
- K 10-770.....Lug Bolt, RH Thread 3/4"-16 x 2-3/8"
- K 10-771.....Lug Bolt, LH Thread 3/4"-16 x 2-3/8"
- L 10-785.....Lug Nut, RH Thread 3/4"-16
- L 10-786.....Lug Nut, LH Thread 3/4"-16



REAR WHEEL SEALS & BEARINGS that fit John-Deere & Oshkosh

Dual Piston Brake Caliper with 4-Wheel Disc without ABS

- A10-952 Rear Wheel Seal
- B10-954 Rear Inner Bearing
- C10-955 Rear Inner Race
- B/C ...10-956 Rear Inner Bearing and Race set
- D10-926 Rear Outer Race
- E10-959 Rear Outer Bearing
- F10-961 Silicone Gasket Maker, 3oz. tube
- G10-962 Axle Nut, Inner
- H10-963 Lock Washer
- J10-966 Axle Nut, Outer
- K10-770 Lug Bolt, RH Thread 3/4"-16 x 2-3/8"
- K10-771 Lug Bolt, LH Thread 3/4"-16 x 2-3/8"
- L10-785 Lug Nut, RH Thread 3/4"-16
- L10-786 Lug Nut, LH Thread 3/4"-16
- M10-796Lug Bolt, RH Outer Thread 1-1/8"-16
- M10-797Lug Bolt, LH Outer Thread 1-1/8"-16
- N10-764Lug Nut, RH Thread 1-1/8"-16
- N10-766Lug Nut, LH Thread 1-1/8"-16



FRONT & REAR WHEEL CALIPER, ROTOR & BRAKE HARDWARE

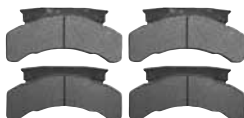


Check
your
Casting
before
ordering

10-826 - LH or RH Front or Rear Dual Piston Caliper, (Casting # on caliper 472), 4 wheel disc. 2.5 Piston Dia. New not rebuilt, no core.



10-715 - Front or Rear Rotor Disc for brakes without ABS
Bendix # 141269
Meritor# 23122700-002

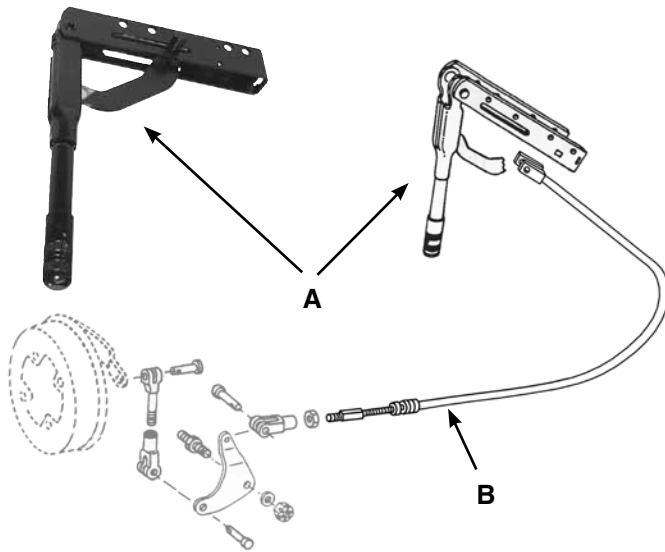


D224
Severe-Duty Brake Pads
Fits Front or Rear
One axle set

BRAKE HARDWARE			
	10-870 Brake Hardware Kit Incl: 2 Pad Retainer Springs & 2 Retainers (one axle set)		10-897 - Caliper Bolts, set of 4, (1-1/2" length, 9/16" Hex head, 5/16"-18 thread) (enough for 2 axle sets)
	10-874 Support Keys, set of 2 (one axle set)		10-886 - Retainer Springs, set of 4 (enough for 2 axles)
			Shims (One axle set)
		Part #	Stamped Code Thickness
		NEW 10835A	682 0.025"
		NEW 10835B	683 0.040"
		NEW 10835C	684 0.060"
		NEW 10835D	685 0.074"

EMERGENCY BRAKE HANDLE & CABLE

that fits John-Deer & Oshkosh

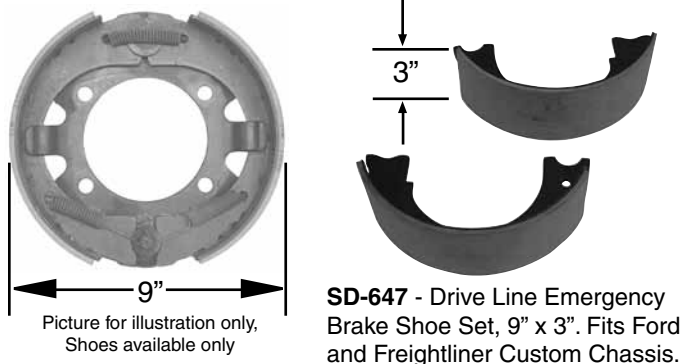


A 10-970 - Parking Brake Handle with closed end for cable. Handle turns to adjust cable tension. May need slight modification to mount.

NEW **B 10-659** - Parking Brake Cable

Drive Line Emergency Brake Shoe Set

Fits Ford, Freightliner, John Deere & Oshkosh Custom Chassis



Picture for illustration only,
Shoes available only

SD-647 - Drive Line Emergency Brake Shoe Set, 9" x 3". Fits Ford and Freightliner Custom Chassis.



10-807 - Spring Kit, 3 Springs for Drive Line Brakes

SHIFTER BOOT



75-196 - Shifter boot for floor shifter that fits Grumman/Morgan Olson with Freightliner chassis, 2001 on. Base dia: 7"; Height: 4-1/2"; 4 mounting holes on rubber base 6" across from each other and centered 4.25" apart. Replaces 778671-C1.

RIMS & WHEEL HARDWARE

that fits Freightliner and International



89-232
19.5" x 6" Dual wheel,
6 lug, 2 hand holes.



89-231
19.5" x 6.75", Dual wheel,
8 lug, 4 hand holes.

89-233
Accuride #29028-PW
22.5" x 7.5" Dual wheel,
8 lug, 4 hand holes.



NEW
89-377

Wheel Simulator Set, 19.5" wheel, 6 Lug, use with 19.5" rims.



89-200 - Nickel Plated Valve Stem, 1-5/8" Long. TR# 416.
Fits hole of 5/8" & 29/32". Rubber grommet forms seal when compressed by hex nut. Fits 89-231 and 89-232.

BRAKE HARDWARE that fits International

Our calipers replace your original Dual Piston Bosch Calipers. These calipers look similar except for piston diameter. Please note your 7-digit casting number on caliper.

FRONT



10-827 - LH or RH Front Dual Piston Caliper. 2.60" Piston Dia. (Casting # on caliper 4151733) Use with #D184)



D-184 - Severe-Duty Brake Pad. One axle set

REAR



Check your Casting # before ordering

10-828 - LH or RH Rear Dual Piston Caliper. 2.88" Piston Dia. (Casting # on caliper 4150844) Use with #D225



D-225 - Severe-Duty Brake Pad. One axle set

FRONT



10-833 - LH or RH Front Caliper - 66mm Piston Dia. (Casting # on caliper 4153269) Uses pad D786.



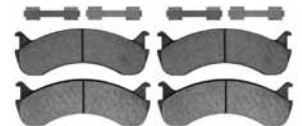
D-786 Front or Rear Brake pads (thin pads) one axle set

REAR



Check your Casting # before ordering

10-834 - LH or RH Rear Caliper - 73mm Piston Dia. (Casting # on caliper 4153222) Uses pad D786A..



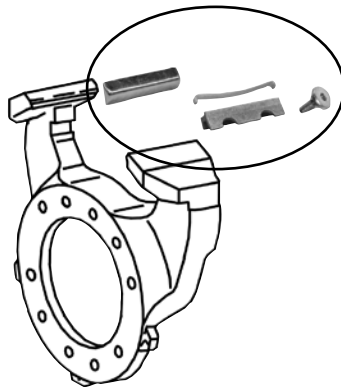
D-786A Front or Rear Brake pads (thick pads) one axle set

Brake Hardware Kit (One axle set) for 10-827 & 10-828

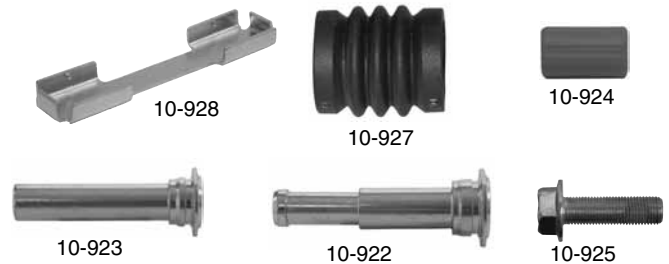
10-851 Brake Hardware Kit (one axle set).

Includes:

- (2) Support Springs
- (2) Keys
- (2) .025 Shims
- (2) .045 Shims
- (2) Caliper Bolts



Brake Hardware Kit (One axle set) for 10-833 & 10-834



- 10-928** Brake Pad Clip, sold each (4 needed per axle set)
- 10-927** Rubber Bushing for guide pin (4 needed per axle set)
- 10-925** Guide Pin Bolt Length: 1.48", Thread: M12x1.25, 18mm hex head with 25mm washer (4 needed per axle set)
- 10-924** Bushing for 10-922 guide pin (2 needed per axle set)
- 10-923** Guide pin without groove. Sold each. 2 needed per axle set. This guide pin and 10-922 are needed for each caliper.
- 10-922** Guide Pin with groove (use with bushing 10-924) (2 needed per axle set) Use 10-923 for other guide pin on same caliper.



11-310 Brake & Clutch Pedal Pad that fits International; 4-1/2"W x 3"H



EMERGENCY BRAKE HANDLE

10-970 - Parking Brake Handle with closed end for cable. Handle turns to adjust cable tension. May need slight modification to mount.

**'Add-On' STEP BUMPER
that fit SPRINTER VANS**

- 58"W x 9-1/2" Deep
- 14 Gauge Grip Strut Surface
- 1/4" Side Plates
- 3/16" Steel Tube Facing
- 2"x2" Rubber Impact Strip
- Primed Gray

NEW

86-858 - Step Bumper with grip strut surface. Mounts on Sprinter vans. Has rubber impact strip for extra protection. Includes mounting bracket and hardware to mount bumper to truck. Dimensions: 58"W x 9-1/2"D.

**BRAKE PADS and ROTORS
that fit SPRINTER****10-619****Front Rotor that fit Sprinter 2500/3500**

10-619 - Front Rotor for 16" Wheels with Bosch calipers, 285mm (11-1/4") diameter, 2003-07

10-805**Rear Rotor that fit Sprinter 2500/3500**

10-805 - Rear Rotor for 16" single rear wheels, with Bosch calipers, 272mm diameter, 2003-07

10-809

10-809 - Rear Rotor rear wheels, 285mm (11-1/4") dia, 2002-06



SD-949S Front pad with wear sensor with Bosch calipers. One axle set.



SD-1006S Rear pad with wear sensor with Bosch calipers. One axle set.

New Items that fit 2003-06 L5 - 2.7L Diesel Sprinter 2500 & 3500



10-8062 - Front Wheel Stud with clip head. Thread M14-1.5, Length: 2" w/DRW

10-8067 - Front or Rear Wheel Stud with clip head. Thread M14-1.5, Length: 2-1/4"



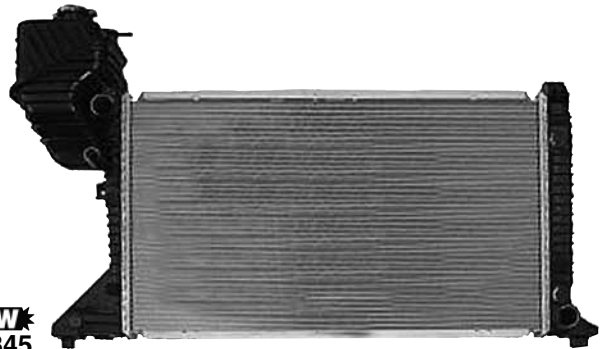
10-8046 Intercooler to Radiator Junction



10-8043 Tail Lamp Circuit Board, LH or RH



10-8052 Pulley, A/C Bypass pulley

**RADIATOR
that fits SPRINTER VANS****NEW**
80-845

Radiator that fits 2002-08 Sprinter
26-3/4" x 16"

BRAKE PADS that fit ISUZU NPR**NPR TILT CAB (DIESEL) FRONT PADS & SHOES**

D-825	Pad	1998-2005	class-3 (10,001-14,000 GVWR); class-4 (14,001-16,000 GVWR)
D-827	Pad	1999-2005	class-5 (16,001-19,500 GVWR)
D-826	Pad	1998	class-5 (16,001-19,500 GVWR)
D-546	Pad	1987-1997	
SD-612	Shoe	1986-1993	12-5/8" x 3"
SD-699	Shoe	1991-1993	12-5/8" x 4"

NPR TILT CAB (DIESEL) REAR SHOES

SD-726		1994-2005	class-3 (10,001-14,000 GVWR) 12-5/8" x 3"
SD-699		1993-2005	class-4 (14,001-16,000 GVWR) 12-5/8" x 4"
SD-792		1998-2005	class-5 (16,001-19,500 GVWR) 12-1/4" x 4-3/4"
SD-668		1990-1993	11-3/4" x 3"
SD-612		1986-1993	12-5/8" x 3"

NPR TILT CAB (GAS) FRONT PADS & SHOES

D-825	Pad	1997-2005	class-3 (10,001-14,000 GVWR); from 10/97
D-827	Pad	1999-2005	class-4 (14,001-16,000 GVWR); w/ABS
D-826	Pad	1997-1999	class-4 (14,001-16,000 GVWR); w/o ABS; from 10/97
D-546	Pad	1991-1997	to 9/97
SD-612	Shoe	1991-1993	12-5/8" x 3"
SD-699	Shoe	1991-1993	12-5/8" x 4"

NPR TILT CAB (GAS) REAR SHOES

SD-699		1993-2005	class-3 (10,001-14,000 GVWR) 12-5/8" x 4"
SD-792		1997-2005	class-5 (16,001-19,500 GVWR) 12-1/4" x 4-3/4"
SD-726		1994-2005	class-3 (10,001-14,000 GVWR) 12-5/8" x 3"
SD-668		1990-1993	11-3/4" x 3"
SD-612		1986-1993	12-5/8" x 3"