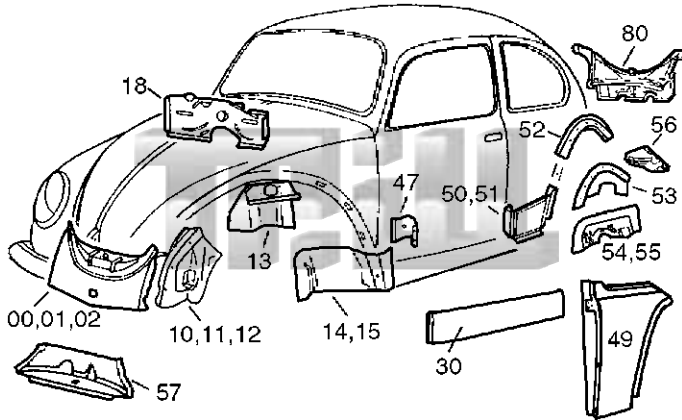


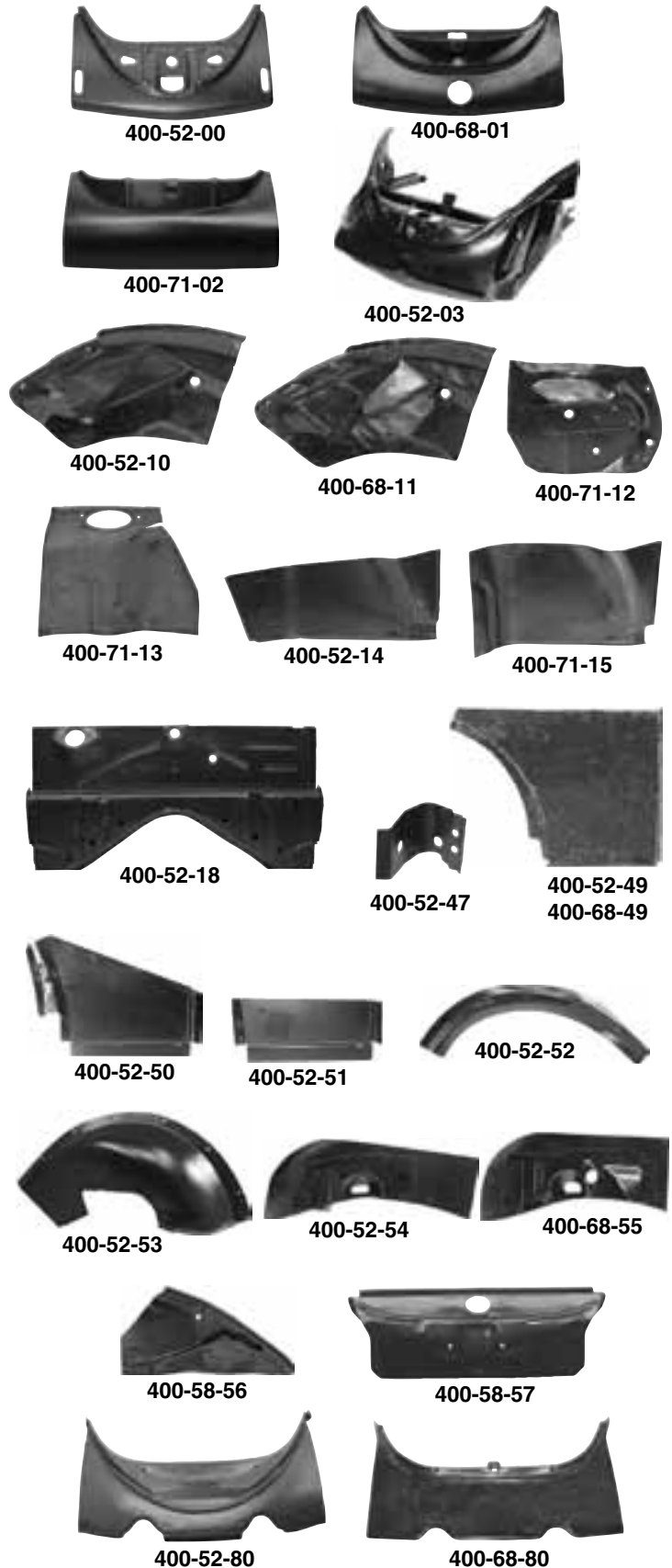


**VOLKSWAGEN BEETLE & SUPER BEETLE 52-79
REPLACEMENT PANELS**



REPLACEMENT SHEETMETAL

Index#	Description	Year	Mill Part#
00	Front panel	55-67	400-52-00
01	Front panel	68-78	400-68-01
02	Front panel, fits Super Beetle, w/o louvers	71-79	400-71-02
03	Front panel assembly	52-67	400-52-03
N.I.	Front panel assembly	68-73	400-68-04
10	Front wheelhouse section with bumper bracket retainer	52-67	400-52-10
11	Front wheelhouse section with bumper bracket retainer (w/o 5 MPH bumper)	68-73	400-68-11
12	Front wheelhouse section with bumper bracket retainer, fits Super Beetle (w/o 5 MPH bumper)	71-73	400-71-12
13	Front shock tower sec, fits Super Beetle	71-79	400-71-13
14	Front wheelhouse lower rear section	52-79	400-52-14
15	Front wheelhouse lower rear section, fits Super Beetle	71-79	400-71-15
18	Firewall assembly, lower section	52-78	400-52-18
30	Outer doorskin, 5"H	62-79	400-52-30
47	Front hinge pillar, lower sec, 5"H	52-79	400-52-47
49	Rear quarter front half, 27"Hx30"L	52-67	400-52-49
49	Rear quarter front half, 27"Hx30"L	68-79	400-68-49
50	Rear quarter sec, 10"H	52-79	400-52-50
51	Rear quarter sec, 4"H	52-79	400-52-51
52	Rear fender fastening panel	52-79	400-52-52
53	Rear wheelhouse top half	52-79	400-52-53
54	Rear wheelhouse lower front section	52-66	400-52-54
55	Rear wheelhouse lower front section with torsion bar suspension	67-78	400-68-55
56	Rear wheelhouse rear section with bumper bracket retainer (w/o 5 MPH bumper)	58-73	400-58-56
57	Spare tire well (Except Super Beetle)	58-79	400-58-57
80	Rear apron (does not fit 1967)	52-66	400-52-80
80	Rear apron	68-74	400-68-80



Specify LH (Drivers Side) or RH (Passenger Side) When Ordering.

All manufacturers' names, numbers, and descriptions are used for reference purposes only. It is not implied that any part listed is the product of the original manufacturers or approved by any of these manufacturers.



Bold Type - New Item • * - Too Large for UPS • N.I. - Not Illustrated
800-888-5072 • Toll Free Fax 888-781-2700
visit our web site: www.rustrepair.com



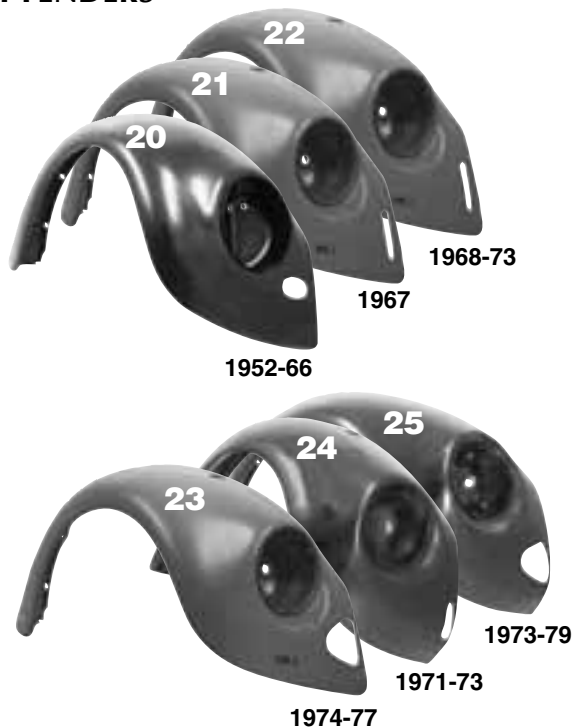


**VOLKSWAGEN BEETLE & SUPER BEETLE 52-79
FENDERS AND BUMPERS**

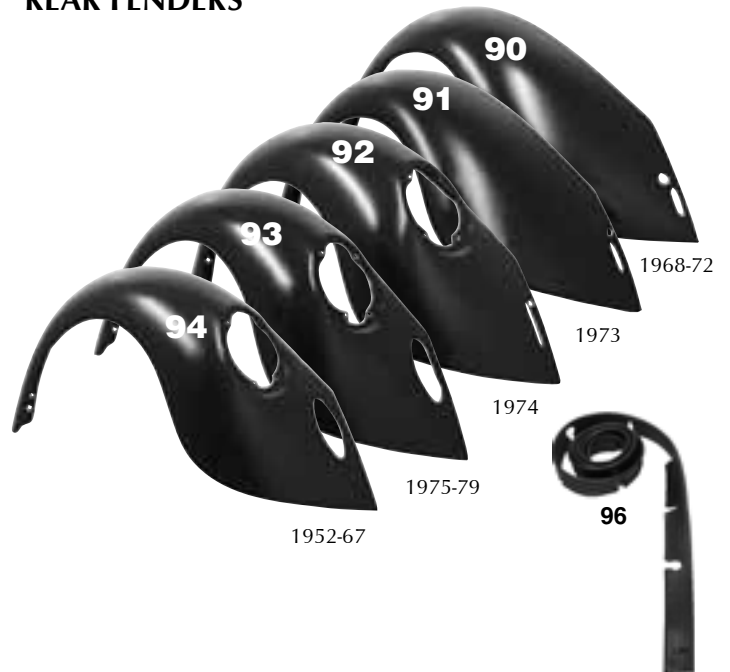
REPLACEMENT SHEETMETAL

Index#	Description	Year	Mill Part#
20	Front fender, fits Beetle, specify L or R	52-66	400-52-20
21	Front fender, fits Beetle, specify L or R	67	400-67-21
22	Front fender, fits Beetle, specify L or R	68-73	400-68-22
23	Front fender, fits Beetle, specify L or R	74-77	400-74-23
24	Front fender, fits Super Beetle, specify L or R	71-73	400-71-24
25	Front fender, fits Super Beetle, specify L or R	74-79	400-74-25
90	Rear fender, specify L or R	52-67	400-52-90
91	Rear fender, specify L or R	68-72	400-68-91
92	Rear fender, specify L or R	73	400-73-92
93	Rear fender, specify L or R	74	400-74-93
94	Rear fender, specify L or R	75-79	400-75-94
96	Fender welt, front & rear, fits Standard & Super	52-79	400-52-96
60	Front bumper, with over-riders	52-67	400-52-60
60	Front bumper	68-73	400-68-60
61	Rear bumper	68-73	400-68-61
61	Rear bumper,chrome	74-79	400-74-61
64	Front bumper, fits Super Beetle	74-79	400-74-64
65	Bumper bracket, front, specify L or R	68-73	400-68-65
66	Bumper bracket, rear, specify L or R	68-73	400-68-66

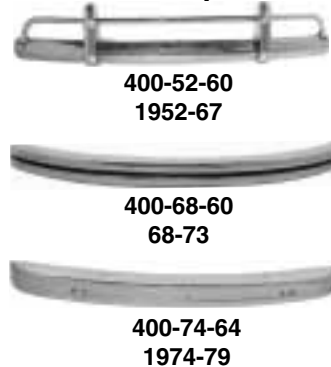
FRONT FENDERS



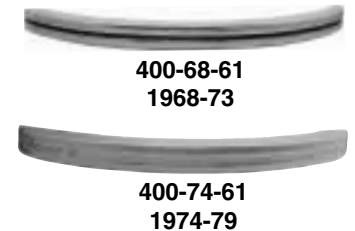
REAR FENDERS



Front Bumpers

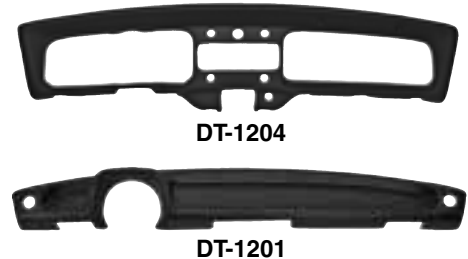


Rear Bumpers



DASH TOPS

DashTop covers fit right over existing dash, makes your dash look new again.

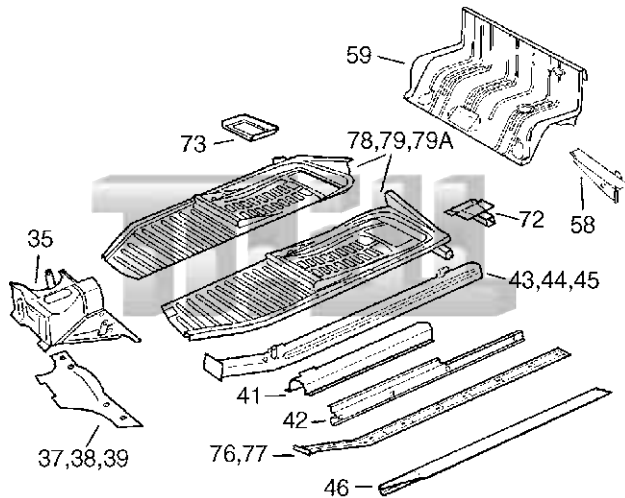


Description	Year	Mill Part #
Fits Standard Beetle	68-74	DT-1204
Fits Super Beetle	72-79	DT-1201

Specify LH (Drivers Side) or RH (Passenger Side) When Ordering.

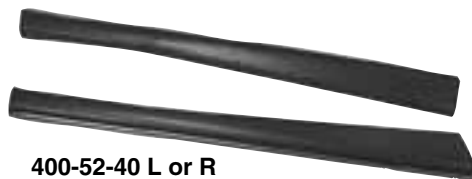


**VOLKSWAGEN BEETLE & SUPER BEETLE 52-79
FLOOR AND CHASSIS BODY PANELS**



REPLACEMENT SHEETMETAL

Index#	Description	Year	Mill Part#
17	Axle beam repair kit	68-79	400-68-17
35	Frame head assembly	52-65	400-52-35
37	Frame head bottom panel	52-65	400-52-37
38	Frame head bottom panel	66-78	400-66-38
39	Frame head bottom panel, fits Super Beetle	71-79	400-71-39
40	Running Board with mat and moulding	8/66-79	400-52-40
41	Rocker, inside & outside under door	52-79	400-52-41
42	Running board retainer with nuts welded on back side	52-79	400-52-42
43	Heating channel w/bottom plate	52-68	400-52-43
44	Heating channel w/bottom plate	69-78	400-69-44
45	Heating channel w/bottom plate, fits S/B only	71-79	400-71-45
46	Rocker, lower repair sec	52-79	400-52-46
58	Frame support under luggage shelf, L or R	52-73	400-52-58
59	Shelf, luggage area behind seat	52-73	*400-52-59
72	Jack support w/floor pan sec	52-79	400-52-72
73	Battery tray	52-79	400-52-73
76	Heating channel bottom plate	52-79	400-52-76
77	Heating channel bottom plate, fits S/B only	71-79	400-71-77
78	Floor pan half, also fits convertible includes side seat rails and jack support	52-72	400-52-78
79	Floor pan half, with side seat rails only (Does not include front center seat mount hump)	73-79	400-71-79
79A	Floor pan half, with side rails and front center seat mount hump	73-79	*400-71-79A



Specify LH (Drivers Side) or RH (Passenger Side) When Ordering.

All manufacturers' names, numbers, and descriptions are used for reference purposes only. It is not implied that any part listed is the product of the original manufacturers or approved by any of these manufacturers.



Bold Type - New Item • * - Too Large for UPS • N.I. - Not Illustrated
800-888-5072 • Toll Free Fax 888-781-2700
visit our web site: www.rustrepair.com





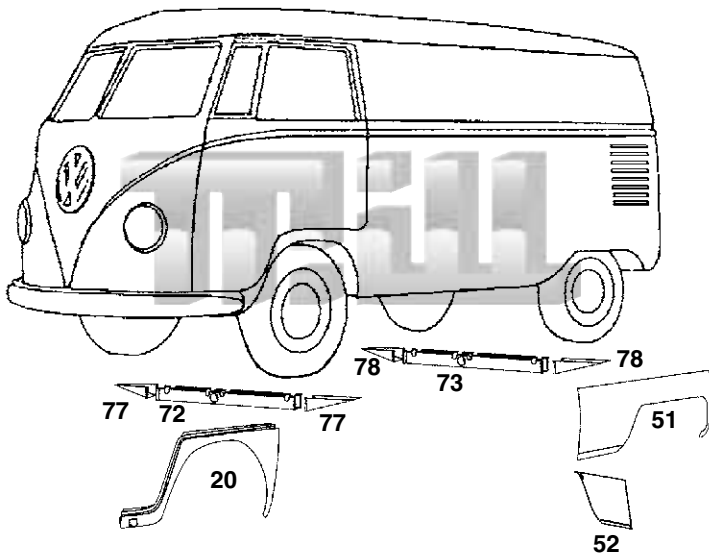
VOLKSWAGEN BEETLE & SUPER BEETLE 52-79
ELECTRICAL, ENGINE & TRANSMISSION

FUEL & TRANSMISSION PARTS

Index#	Description	Year	Mill Part#
G	Fuel Tank, fits Standard Beetle	68-79	400-68-98
G	Fuel Tank, fits Super Beetle	74-79	400-74-99
S	Rear Transmission Mount	50-72	113 301 263
T	LH Rear Transmissin Mount 73-77	73-79	113 301 263C
T	RH Rear Transmissin Mount 73-77	73-79	113 301 264



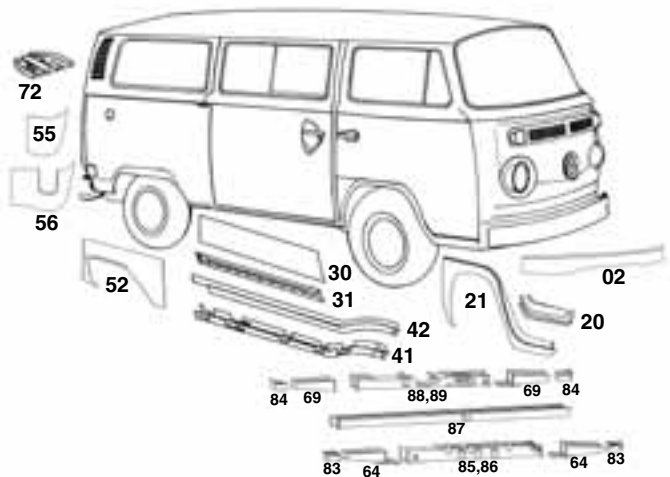
VOLKSWAGEN BUS 50-67



REPLACEMENT SHEETMETAL

Index#	Description	Year	Mill Part#
20	Front fender	50-67	401-50-20
51	Rear wheel arch with lower front section, no flair	50-67	401-50-51
52	Lower front sec of rear wheel arch, RH only	50-67	401-50-52
72	Front crossmember	50-67	401-50-72
73	Rear crossmember	50-67	401-50-73
77	Front outrigger	50-67	401-50-77
78	Rear outrigger	50-67	401-50-78

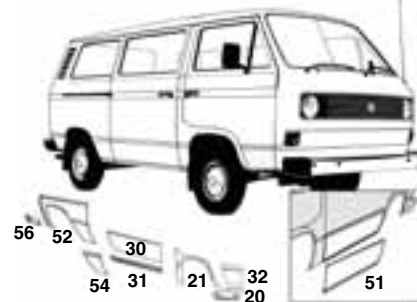
VOLKSWAGEN BUS 68-79



REPLACEMENT SHEETMETAL

Index#	Description	Year	Mill Part#
02	Front panel lower, 5"H	68-7/72	402-68-02
20	Front door step panel	68-72	402-68-20
21	Front Fender	68-7/72	402-68-21
30	Cargo doorskin 8"H	68-79	402-68-30
31	Cargo inner door bottom	68-79	402-68-31
41	Inner rocker	8/72-79	402-72-41
42	Lower rail for sliding door	68-79	402-68-42
52	Rear wheel arch, has flair	71-79	402-71-52
55	Corner panel 9"H	68-71	402-68-55
56	Corner panel 15"H	72-79	402-72-56
64	Outrigger, front	68-79	402-68-64
69	Outrigger, rear	68-79	402-68-69
72	Battery tray	73-79	402-73-72
83	Front jack point support	68-79	402-68-83
84	Rear jack point support	68-79	402-68-84
85	Front crossmember	68-72	402-68-85
86	Front crossmember	73-79	402-73-86
87	Center crossmember	68-79	402-68-87
88	Rear crossmember	68-72	402-68-88
89	Rear crossmember	73-79	402-73-89

VOLKSWAGEN BUS 80-90



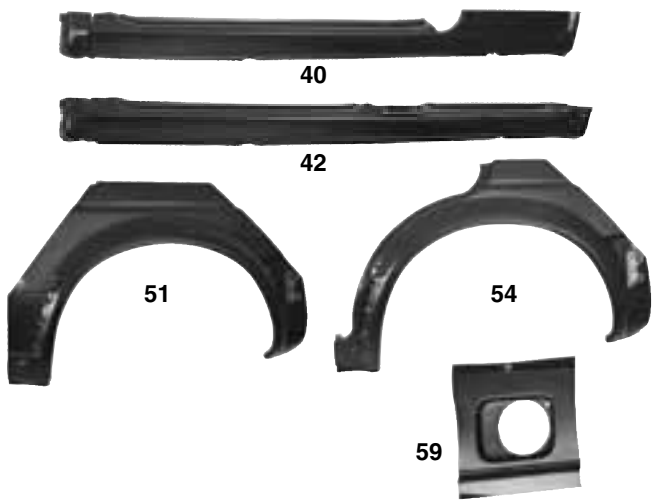
REPLACEMENT SHEETMETAL

Index#	Description	Year	Mill Part#
20	Front door step panel	80-90	402-80-20
21	Front fender arch	80-90	402-80-21
30	Cargo doorskin 8"H	80-90	402-80-30
31	Cargo inner door bottom	80-90	402-80-31
32	Front door outer lower doorskin	80-90	402-80-32
51	Left side lower panel	80-90	402-80-51
52	Rear wheel arch	80-90	402-80-52
54	Rear quarter lower front section	80-90	402-80-54
56	Rear quarter lower rear section	80-90	402-80-56

Specify LH (Drivers Side) or RH (Passenger Side) When Ordering.



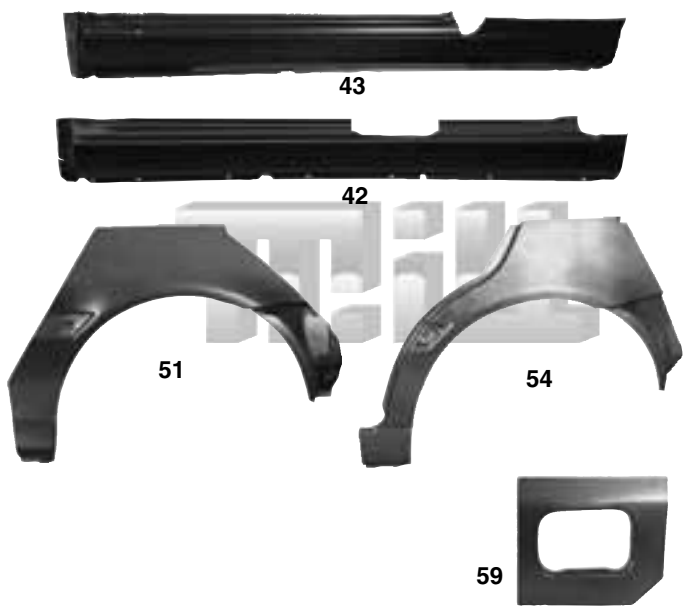
VOLKSWAGEN GOLF/JETTA 85-92



REPLACEMENT SHEETMETAL

Index#	Description	Year	Mill Part#
40	Rocker panel, 2DR with extension	85-92	409-85-40
42	Rocker panel, 4DR	85-92	409-85-42
51	Rear wheel arch, 2DR	85-92	409-85-51
54	Rear wheel arch, 4DR	85-92	409-85-54
59	Fuel filler hole plate	85-92	409-85-59

VOLKSWAGEN GOLF/JETTA 93-99



REPLACEMENT SHEETMETAL

Index#	Description	Year	Mill Part#
42	Rocker panel, 4DR, fits Golf/Jetta (old style)	93-99	409-93-42
43	Rocker panel, 2DR with extension, fits Golf/GTI (old style)	93-99	409-93-43
51	Rear wheel arch, 2DR, fits Golf/GTI (old style)	93-99	409-93-51
54	Rear wheel arch, 4DR, fits Golf/Jetta (old style)	93-99	409-93-54
59	Fuel filler hole plate, square hole	93-99	409-93-59

VOLKSWAGEN GOLF/GTI/JETTA 99-05

The **Golf/GTI** 7th & 8th position of the VIN are **(1J)** for generation 4 style.
The **Jetta** 7th & 8th position of the VIN are **(9M)** for generation 4 style.



REPLACEMENT SHEETMETAL

Index#	Description	Year	Mill Part#
40	Rocker panel, 2DR, Golf/GTI	99-05	409-99-40
42	Rocker panel, 4DR, Golf/Jetta	99-05	409-99-42
51	Rear wheel arch, 2DR, Golf/GTI	99-05	409-99-51
54	Rear wheel arch, 4DR, Golf (does not fit Jetta)	99-05	409-99-54
59	Fuel filler hole plate, round hole	99-05	409-99-59

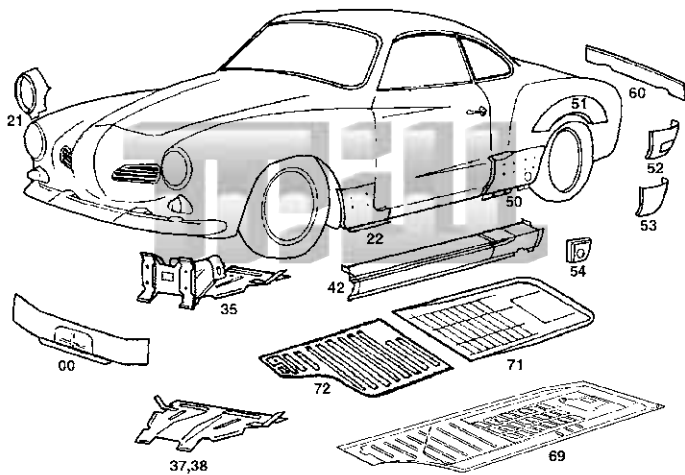
Specify LH (Drivers Side) or RH (Passenger Side) When Ordering.

All manufacturers' names, numbers, and descriptions are used for reference purposes only. It is not implied that any part listed is the product of the original manufacturers or approved by any of these manufacturers.





VW KARMANN GHIA 56-74



VOLKSWAGEN RABBIT 75-84



REPLACEMENT SHEETMETAL

Index#	Description	Year	Mill Part#
00	Valance panel, 10"Hx36"L	56-74	404-58-00
21	Fender headlight sec	60-74	404-58-21
22	Front fender lower rear sec, 13"H	60-74	404-58-22
35	Frame head assembly	56-65	400-52-35
37	Frame head bottom panel	56-65	400-52-37
38	Frame head bottom panel	66-78	400-66-38
42	Rocker panel (factory type)	56-74	404-58-42
50	Rear quarter lower front sec, 12"H	56-74	404-58-50
51	Rear wheel arch upper	56-74	404-58-51
52	Rear qtr lower rear sec, 10"H, indented at bumper	72-74	404-72-52
53	Rear quarter lower rear sec, 10"H	56-71	404-58-53
54	Rear quarter inner lower front section	56-74	404-58-54
60	Rear panel	56-74	404-58-60
69	Floor pan half	56-74	*404-56-69
71	Rear floor pan 36"L x 25"W	56-74	404-58-71
72	Front floor pan 30"L x 23"W	56-74	404-58-72

REPLACEMENT SHEETMETAL

Index#	Description	Year	Mill Part#
41	Rocker panel, 2DR	75-84	407-75-41
51	Rear wheel arch, 2DR	75-84	407-75-51
54	Rear wheel arch, 4DR,	75-84	407-75-54
59	Fuel filler hole plate	75-84	407-75-59
71	Front floor pan section, specify L or R	75-84	407-75-71



DT-1206



DT-1207

DashTop covers fit right over existing dash, makes your dash look new again.

DASH TOPS

Description	Year	Mill Part #
Dash top	66-70	DT-1206
Dash top	71-74	DT-1207

Specify LH (Drivers Side) or RH (Passenger Side) When Ordering.



Bold Type - New Item • * - Too Large for UPS • N.I. - Not Illustrated
800-888-5072 • Toll Free Fax 888-781-2700
visit our web site: www.rustrepair.com



All manufacturers' names, numbers, and descriptions are used for reference purposes only. It is not implied that any part listed is the product of the original manufacturers or approved by any of these manufacturers.