



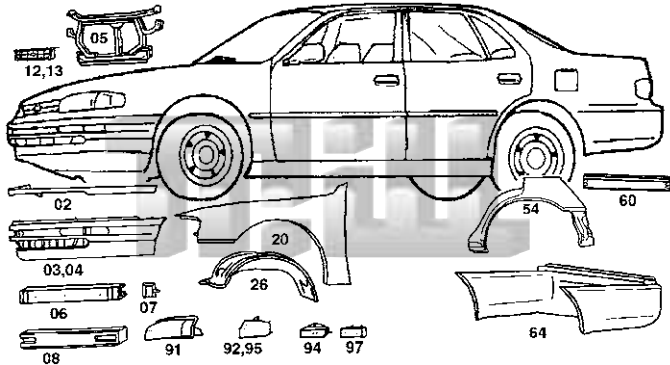
**TOYOTA CAMRY 87-91**



**REPLACEMENT SHEETMETAL**

Index#	Description	Year	Mill Part#
54	Rear wheel arch, also fits 89-92 Cressida	87-91	385-87-54

**TOYOTA CAMRY 92-96**



**REPLACEMENT SHEETMETAL**

Index#	Description	Year	Mill Part#
02	Upper cover reinforcement	92-94	385-92-02
03	Front bumper cover, paint to match	92-94	*385-92-03
04	Front bumper cover, paint to match, USA	95-96	*385-95-04
05	Radiator support assembly	92-95	*385-92-05
06	Front bumper re-bar	92-96	385-92-06
07	Front bumper arm	92-96	385-92-07
08	Front impact absorber	92-94	385-92-08
08	Front impact absorber	95-96	385-95-08
12	Grille, silver/gray/black	92-94	385-92-12
13	Grille, black, paint to match	95-96	385-95-13
20	Front fender	92-96	*385-92-20
26	Front fender liner	92-96	385-92-26
54	Rear wheel arch, fits Sedan/Wagon	92-96	385-92-54
60	Rear bumper re-bar, exc. Wagon	92-96	385-92-60
64	Rear bumper cover, exc. Wagon	92-96	*385-92-64

**LAMP ASSEMBLIES**

91	Headlamp assembly	92-94	385-92-91
91	Headlamp assembly	95-96	385-95-91
92	Parklamp assembly	92-94	385-92-92
94	Signal lamp assembly	92-93	385-92-94
95	Parklamp assembly, U.S.A. built with clear/yellow lens	95-96	385-95-95
97	Side marker lamp, 92-93 USA built; 92-94 Japan built	92-93	385-92-97

**MIRRORS**

LH Mirror Assembly, flat head, black, ELECTRIC	92-96	385-92-351
RH Mirror Assembly, convex, black, ELECTRIC	92-96	385-92-353
LH Mirror Assembly, flat head, black, MANUAL	92-96	385-92-355
RH Mirror Assembly, convex, black, MANUAL	92-96	385-92-357

**TOYOTA COROLLA 84-87**



**REPLACEMENT SHEETMETAL**

Index#	Description	Year	Mill Part#
51	Rear wheel arch, fits FWD Sedan/Liftback	84-87	375-84-51

**TOYOTA COROLLA 88-92**



**REPLACEMENT SHEETMETAL**

Index#	Description	Year	Mill Part#
42	Rocker panel, fits Sedan/Wagon	88-92	375-88-42
54	Rear wheel arch, fits Sedan	88-92	375-88-54
N.I.	Rear wheel arch, fits Liftback	88-92	375-88-51

**TOYOTA COROLLA 93-97**



**REPLACEMENT SHEETMETAL**

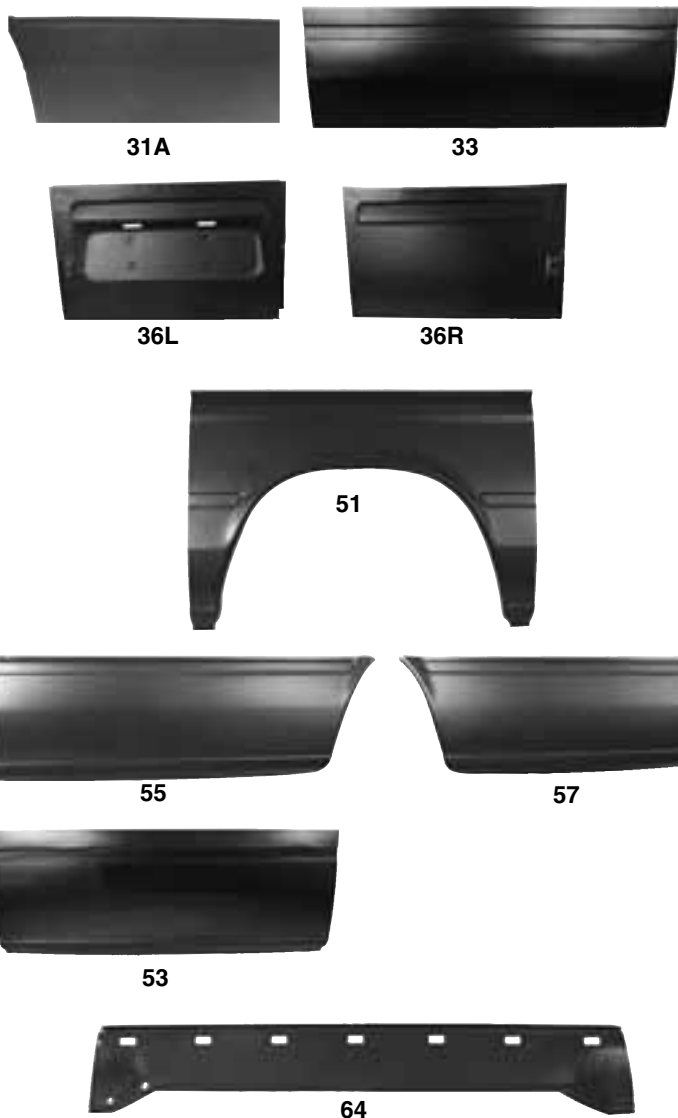
Index#	Description	Year	Mill Part#
N.I.	Rear wheel arch, fits Hatchback	93-97	375-93-51
N.I.	Rear wheel arch, fits 5DR Liftback	93-97	375-93-52
53	Rear wheel arch, fits Sedan	93-97	375-93-53
N.I.	Rear wheel arch, fits Wagon	93-97	375-93-54

Specify LH (Drivers Side) or RH (Passenger Side) When Ordering.





**SPRINTER VAN - DODGE 03-06**  
**FREIGHTLINER 96-06**



**REPLACEMENT SHEETMETAL**

Index#	Description	Year	Mill Part#
N.I.	Front fender	96-06	285-03-20
N.I.	Front wheel lower rear section, between wheel & door 31"H and extends 12" toward rocker	96-06	285-03-21
N.I.	Doorskin, front door, lower outer, 26"H	96-06	285-03-31
31A	Doorskin, front door, lower outer, 12"H	96-06	285-03-31A
33	Doorskin, sliding side door, lower outer, universal L=R 47"L x 15"H	96-06	285-03-33
36	Doorskin, rear cargo door, lower outer, 31"L x 19"H	96-06	285-03-36
N.I.	Rocker panel, front door, 34"L	96-06	285-03-40
N.I.	Rocker panel, side sliding door, 47"L x 7"H	96-06	285-03-43
51	Rear wheel arch area, 42"L x 28"H	96-06	285-03-51
53	Lower LH side repair panel, 47"L x 19"H	96-06	285-03-53
55	Rear quarter, lower front section, LWB, 50"L x 17"H	96-06	285-03-55
57	Rear quarter, lower rear section, LWB, 42"L x 16"H	96-06	285-03-57
64	Rear panel below rear doors, 56"W x 9-3/4"H	96-06	285-03-64

**SUZUKI SAMURAI 86-95**



40

**REPLACEMENT SHEETMETAL**

Index#	Description	Year	Mill Part#
40	Rocker panel, 2DR	86-95	368-86-40

**SUZUKI SIDEKICK/GEO TRACKER 89-98**



40

**REPLACEMENT SHEETMETAL**

Index#	Description	Year	Mill Part#
N.I.	Front inner fender	89-98	369-89-25
N.I.	Doorskin lower, 2DR	89-98	369-89-31
N.I.	Inner door bottom, 2DR, universal	89-98	369-89-32
40	Rocker panel, 2DR	89-98	369-89-40
N.I.	Rocker panel extension, 4DR, (attach to 2DR rocker)	89-98	369-89-41

**TOYOTA PICK-UP 79-88**

**REPLACEMENT BODY PANELS**

Index#	Description	Year	Mill Part#
N.I.	Fender, 2WD	79-83	*377-79-20
N.I.	Fender, 2WD	84-88	*377-84-22
N.I.	Fender, 4WD	84-88	*384-84-20
N.I.	Rocker, 2 & 4 WD	79-83	377-79-40
N.I.	Upper rear wheel arch, 11"x 36", 2 & 4 WD, universal	84-88	377-84-52

Specify LH (Drivers Side) or RH (Passenger Side) when ordering

All manufacturers' names, numbers, and descriptions are used for reference purposes only. It is not implied that any part listed is the product of the original manufacturers or approved by any of these manufacturers.



**Bold Type** - New Item • \* Too large for UPS • N.I. Not Illustrated  
800-888-5072 • Toll Free Fax 888-781-2700  
Visit our web site: www.rustrepair.com

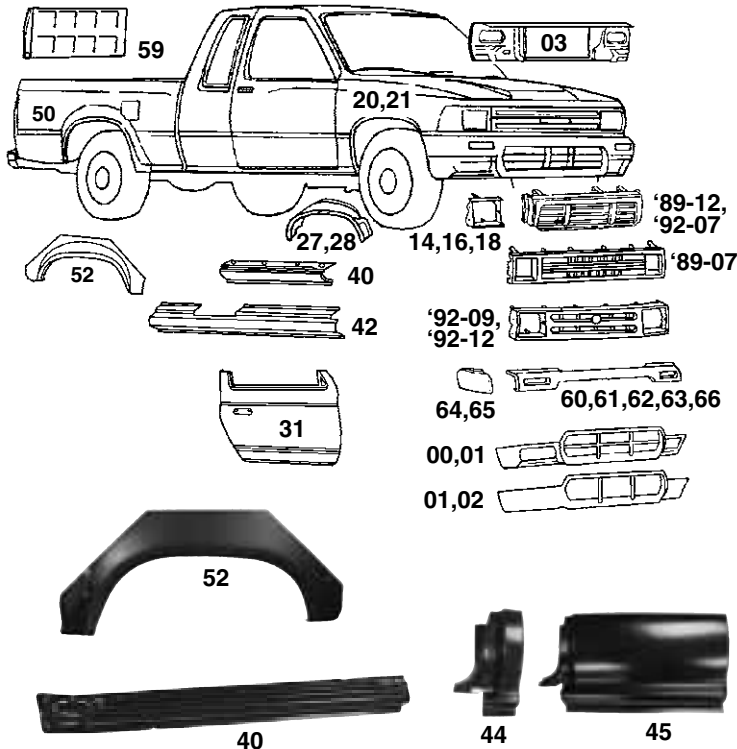


APPLICATIONS THAT FIT:

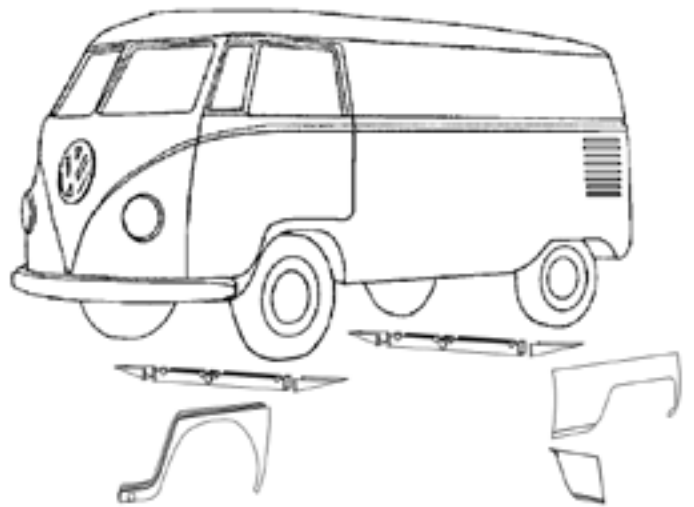
# TOYOTA/VOLKSWAGEN

Mill Supply Inc., 19801 Miles Rd., Cleveland, OH 44128

## TOYOTA PICK-UP 89-95 4 RUNNER (4WD) 90-95



## VOLKSWAGEN BUS 50-67



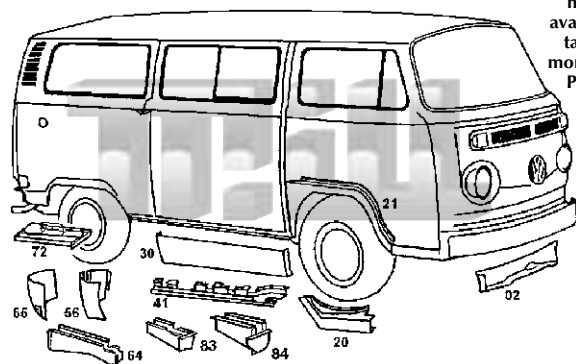
### REPLACEMENT SHEETMETAL

Index#	Description	Year	Mill Part#
20	Front fender assembly	50-67	401-50-20
31	Cargo doorskin, 5"H	50-67	401-50-31
52	Rear wheel arch, lower front sec, 7"H, RH only	50-67	401-50-52
53	Rear corner panel, 9"H	50-67	401-50-53
72	Front crossmember, slip on type	50-67	401-50-72
75	Heat exchanger mounting kit	63-71	400-63-75
76	Outrigger, slip on type	50-67	401-50-76
77	Front outrigger, factory type	50-67	401-50-77
78	Rear outrigger, factory type	50-67	401-50-78

### REPLACEMENT BODY PANELS

Index#	Description	Year	Mill Part#
00	Front valance, 2WD P/U	89-91	393-89-00
01	Front valance, 4WD	89-91	393-89-01
01	Front valance, 4WD P/U	92-95	393-92-01
02	Front valance, 2WD P/U	92-95	393-92-02
03	Radiator support assy., 89-95 PU & 90-91 4 Runner	89-95	393-89-03
N.I.	Grille, chrome/silver/black, 2WD PU	89-95	393-89-06
07	Grille with headlight doors w/o mldg, sil/blk 2WD PU	89-91	393-89-07
12	Grille, dark argent 4WD P/U	89-95	393-89-12
07	Grille w/H/L doors, silver/black 2WD Dix. PU	92-95	393-92-07
09	Grille w/H/L doors, chrome/black 2WD PU	92-95	393-92-09
12	Grille, w/H/L doors, chrome/black, 4Runner	92-95	393-92-12
14	Headlight door, chrome/black 2WD PU	89-95	393-89-14
16	Headlight door, chr/black 4WD P/U	89-91	393-89-16
18	Headlight door, chrome/black, 4WD PU	92-95	393-92-18
20	Front fender 2WD P/U	89-95	*393-89-20
21	Front fender 4WD P/U and 2/4WD 4 Runner	89-95	*393-90-21
27	Front fender splash shield, 2WD	89-95	393-89-27
28	Front fender splash shield, 4WD PU & 4 Runner	89-95	393-89-28
31	Full doorskin w/o vent window & mirror mtg. holes, PU	89-95	393-89-31
40	Rocker panel, 2DR pickup	89-95	393-89-40
42	Rocker panel, 4DR, 4-Runner	89-95	393-89-42
<b>44</b>	<b>Cab corner, standard cab</b>	<b>89-95</b>	<b>393-89-44</b>
<b>45</b>	<b>Cab corner, extended cab</b>	<b>89-95</b>	<b>393-89-45</b>
50	Rear quarter skin, 6.5' bed	89-95	393-89-50
52	Rear wheel arch	89-95	393-89-52
59	Tailgate shell, P/U, no hardware	89-95	393-89-59
60	Front bumper, chrome 2WD P/U	89-95	393-89-60
61	Front bumper, painted 2WD P/U	89-95	393-89-61
62	Front bumper center, chrome 4WD PU & 4 Runner	89-91	393-89-62
63	Front bumper center, painted 4WD PU & 4 Runner	89-91	393-89-63
64	Front bumper ext. chrome 4WD P/U	89-95	393-89-64
65	Front bumper ext. painted 4WD P/U	89-95	393-89-65
66	Front bumper, chrome 4WD P/U	92-95	393-92-66

## VOLKSWAGEN BUS 68-79



VW Bus parts are not all readily available and may take up to two months to receive. Please call for availability.

### REPLACEMENT SHEETMETAL

Index#	Description	Year	Mill Part#
02	Front panel lower, 5"H	68-7/72	402-68-02
20	Front door step panel	68-72	402-68-20
21	Front wheel arch	68-7/72	402-68-21
30	Cargo doorskin 8"H	68-79	402-68-30
41	Inner rocker	68-7/72	402-68-41
41	Inner rocker	8/72-79	402-72-41
55	Corner panel 9"H	68-71	402-68-55
56	Corner panel 15"H	72-79	402-72-56
64	Outrigger, front	68-79	402-68-64
72	Battery tray	73-79	402-73-72
83	Front jack support	68-79	402-68-83
84	Rear jack support	68-79	402-68-84

Specify LH (Drivers Side) or RH (Passenger Side) when ordering

