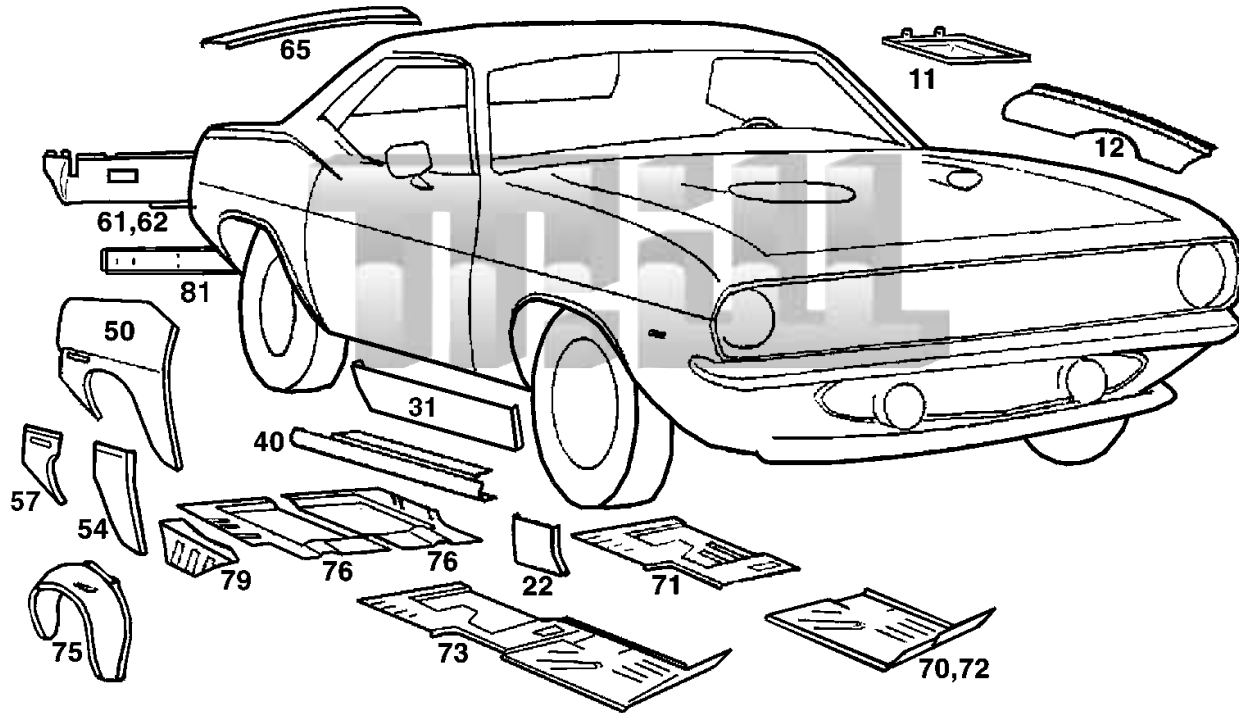




PLYMOUTH BARRACUDA

67-74



REPLACEMENT SHEETMETAL

Index	Description	Year	Mill Part#
N.I.	Front valance w/o light holes fits 70, 72-74 (will not fit 71 with light holes in valance)		73-70-01
N.I.	Grille & headlight bezel mldg. assembly, 7pc. set	70	73-70-07A
11	Battery tray	70-74	74-70-11
12	Front wheelhouse upper section	67-69	77-67-12
16	Firewall, side panel	70-74	74-70-16
N.I.	Firewall panel complete	70-74	74-70-17
N.I.	Front fender bracket	70-74	74-70-18
N.I.	Front fender	70	*73-70-20
N.I.	Front fender (except 'Cuda' model)	71	*73-71-20
N.I.	Front fender 'Cuda' model with gills holes	71	*73-71-21
N.I.	Front fender	72-74	*73-72-20
22	Front fender lower rear sec.	67-69	73-67-22
22	Front fender lower rear sec.	70-74	73-70-22
24	4-Speed tunnel hump, for auto to manual conversion (modify for 1970 models)	67-74	77-67-24
27	Heat shield between trunk floor and exhaust	70-74	73-70-27
N.I.	Inner fender cover plates, one pair	70-74	74-70-29
31	Doorskin, lower outer 8"H	70-74	73-70-31
40	Rocker, 2DR with extension	67-69	73-67-40
40	Rocker	70-74	74-70-40
50	Rear quarter, no lamp hole	67	*73-67-50
50	Rear quarter, round lamp hole	68	*73-68-50
50	Rear quarter, rectangular lamp hole	69	*73-69-50
N.I.	Rear quarter, factory style	70-71	*73-70-49
50	Rear quarter, die formed, 31"H	70-71	*73-70-50
N.I.	Rear quarter, factory style	72-74	*73-72-49
50	Rear quarter, die formed, 31"H	72-74	*73-72-50
54	Rear quarter, lower front section, 12"H	70-74	73-70-54
57	Rear quarter, lower rear section, 16"H	70-74	73-70-57

Index	Description	Year	Mill Part#
60	Trunk lid	70-74	*73-70-60
61	Rear valance with dual exhaust	70-74	73-70-61
62	Rear valance without dual exhaust	70-74	73-70-62
N.I.	Tail panel	70-71	73-70-63
N.I.	Tail panel corner bracket	70-71	73-70-64
65	Panel behind rear window to trunk	70-74	73-70-65
N.I.	Tailpipe tip hanger bracket	70-71	74-70-65R
N.I.	Front floor pan complete, side to side, 47"L x 58"W	70	*74-70-70
N.I.	Front floor pan complete, side to side, 47"L x 58"W	71-74	*74-71-70
70	Front floor pan half section, specify L or R	67-69	77-67-70
71	Rear floor pan half section, specify L or R	67-69	77-67-71
72	Front floor pan half section, 26"Wx26"L, specify L or R	70-74	74-70-72
73	Rear floor pan half section, 28"W x 38"L, specify L or R	70-74	74-70-73
71	Floor pan to factory seam behind front seat, 26" x 49"	70-74	74-70-71
75	Outer rear wheelhouse	70-74	73-70-75
76	Trunk floor half, specify L or R	70-74	74-70-76
N.I.	Trunk floor center, bottom of tire well	67-69	77-67-76
76A	Spare tire hold-down bracket	67-69	77-67-76A
N.I.	Trunk floor half, 26"W x 32"D	67-69	77-67-77
77	Trunk rear cross member (fits between rear bumper and trunk)	70-74	74-70-77
N.I.	Trunk weatherstrip gutter, specify L or R	70-74	73-70-78
79	Trunk filler side panel	70-74	73-70-79
81	Rear frame rail	70-74	74-70-81
N.I.	Rear floor pan shock absorber crossmember, univ	70-74	74-70-91
N.I.	Rear shock absorber cross member bracket	70-74	74-70-91A
N.I.	Rear seat floor brace, specify L or R	70-74	74-70-92
N.I.	Front floor support brace, front	70-74	74-70-94
N.I.	Front floor support brace, rear	70-74	74-70-94B
N.I.	Fuel tank mounting brace	70-74	74-70-96

Specify LH (Drivers Side) or RH (Passenger Side) When Ordering.



Bold Type - New Item • * - Too Large for UPS • N.I. - Not Illustrated
800-888-5072 • Toll Free Fax 888-781-2700
visit our web site: www.rustrepair.com



All manufacturers' names, numbers, and descriptions are used for reference purposes only. It is not implied that any part listed is the product of the original manufacturers or approved by any of these manufacturers.



16

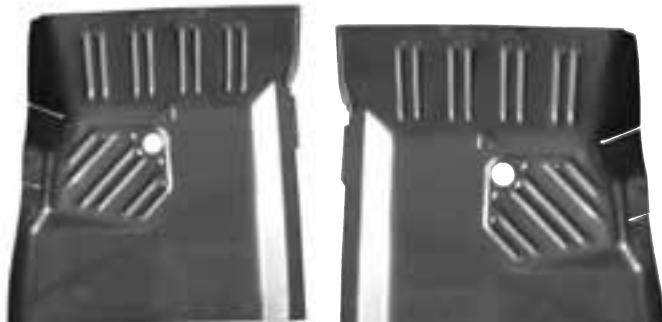
24



27



60



72L

72R



77



76A

70-74 WEATHERSTRIP

Description	Year	Part No.
Molded door seal, 2-Door Hardtops, R & L Made with steel cores and proper clips. A very accurate and detailed reproduction, Replaces OEM #2895478/9	70-74	LM-23-A
Trunk Seal Kit, fits Fastback, made like original with 2 different profiles	67-69	TK-2323
Trunk Seal Kit	70-74	TK-64-A-14

DASH TOPS & INTERIOR PANELS

DashTop covers fit right over existing dash, makes your dash look new again.

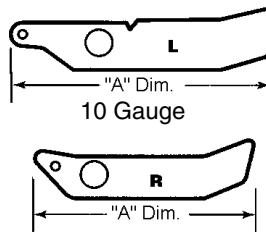


DT-908

Description	Year	Mill Part #
Dashtop, fits E body, w/o A/C	70-74	DT-908
Dashtop, fits E body, with A/C	70-74	DT-909
Kick Panels, Front, black, pair	70-74	DT-97
Door Panels, black, pair	70-74	DT-980B
Door Panels, white, pair	70-74	DT-980W
Interior rear quarter, fits hardtop, black, pair	70-74	DT-981B
Interior rear quarter, fits hardtop., white, pair	70-74	DT-981W
Interior rear quarter, fits conv., black, pair	70-74	DT-983B
Interior rear quarter, fits conv., white, pair	70-74	DT-983W
Replacement seat back, black, pair	70	DT-98B
Replacement seat back, white, pair	70	DT-98W

FRAME PATCHES

Torsion Mount

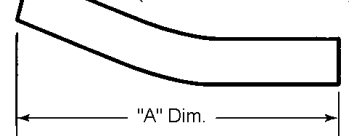


"A" Dim.
10 Gauge

"A" Dim.

Sub Frame

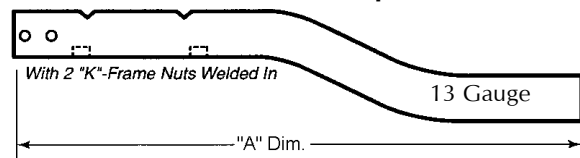
(T-Mount Forward)



"A" Dim.

- Custom-formed, heavy gauge steel
- Cap design fits over existing frame rail
- Strengthens weak unibody design

Full Front Frame Cap

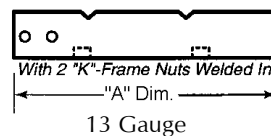


With 2 "K"-Frame Nuts Welded In

13 Gauge

"A" Dim.

Sub Frame Front (Radiator Support Back)

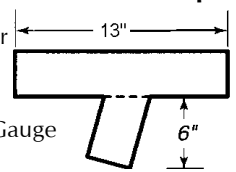


With 2 "K"-Frame Nuts Welded In

"A" Dim.
13 Gauge

Caps area at Sub-Frame and Torsion Bar Mount

"T" Frame Cap



13 Gauge

6"

Description with "A" Dim.	Year	Part No.
LH Torsion Mount, 22"	70-74	74-70-82-L
RH Torsion Mount, 19-1/2"	70-74	74-70-82-R
Sub Frame Front, 30-1/2"	70-74	74-70-83
Sub Frame, 34"	70-74	74-70-87
Full Front Frame Cap, 61"	70-74	74-70-84
T" Frame Cap	70-74	74-70-85

Specify LH (Drivers Side) or RH (Passenger Side) When Ordering.

All manufacturers' names, numbers, and descriptions are used for reference purposes only. It is not implied that any part listed is the product of the original manufacturers or approved by any of these manufacturers.

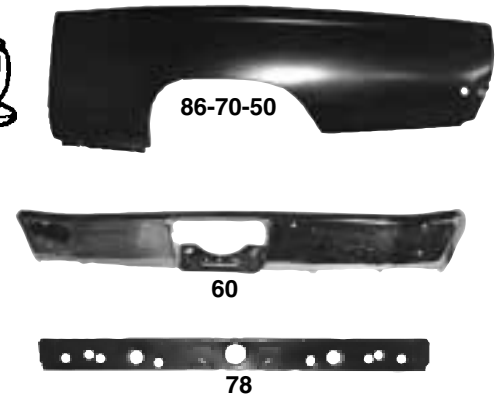
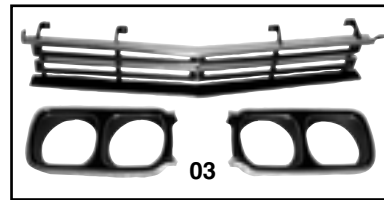
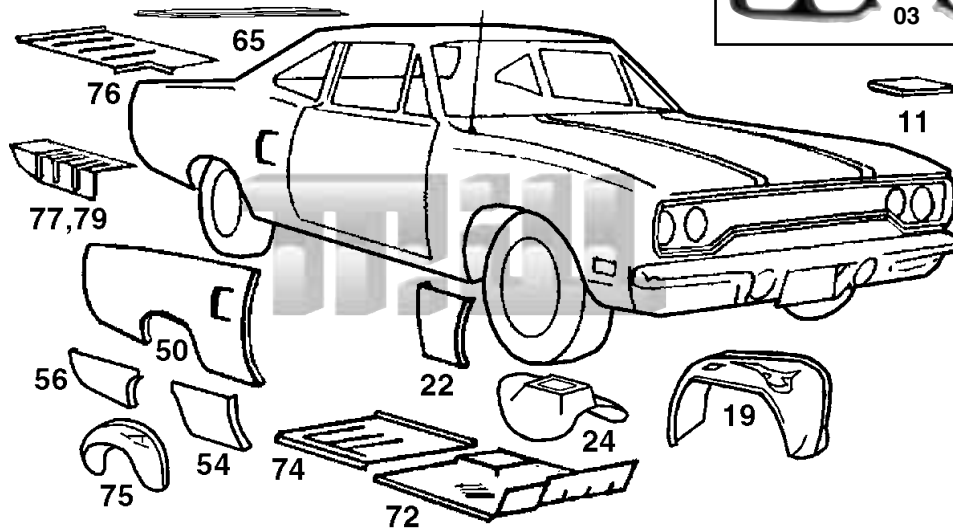


Bold Type - New Item • * - Too Large for UPS • N.I. - Not Illustrated
800-888-5072 • Toll Free Fax 888-781-2700
visit our web site: www.rustrepair.com





**PLYMOUTH BELVEDERE/SATELLITE
ROADRUNNER/GTX 66-70**



REPLACEMENT SHEETMETAL

Index#	Description	Year	Mill Part#
N.I.	Radiator support bracket	68-70	85-68-03
03	Grille set with headlight bezels, Roadrunner	69	85-69-03
N.I.	Torsion bar anchor crossmember	66-70	86-66-04
N.I.	Front frame rail, specify L or R	66-70	85-66-09
11	Battery tray	66-69	86-66-11
11	Battery tray	70	74-70-11
19	Front inner wheelhouse	68-70	86-68-19
22	Front fender lower rear section, Exc. 70 Superbird	68-70	86-68-22
22	Front fender lower rear section, fits Superbird	70	761-68-22
23	Inner front wheel shield	68-70	85-68-23
24	4-Speed tunnel hump, for auto to manual conversion	68-70	85-66-24
N.I.	Inner upper fender to cowl, specify L or R	66-70	85-66-27
N.I.	Upper cowl top	66-70	85-66-28
N.I.	Inner fender cover plates, one pair	66-70	85-66-29
40	Rocker	68-70	761-68-40
N.I.	Rear quarter, factory style	68	*86-68-49
N.I.	Rear quarter, factory style	69	*86-69-49
N.I.	Rear quarter, factory style	70	*86-70-49
50	Rear quarter skin	68	*86-68-50
50	Rear quarter skin	69	*86-69-50
50	Rear quarter skin with scoop	70	*86-70-50
54	Rear quarter, lower front section, 18"H	68-70	86-68-54
56	Rear quarter, lower rear section, 14"H	68-70	86-68-56
60	Rear bumper, chrome, except station wagon	68	86-68-60
65	Rear window to trunk panel	68-70	86-68-65
67	Convertible top reinforcement, rear corner above deck lid	68-70	761-68-67
N.I.	Rear cross rail assembly (5 pcs. includes: center rail, outers & extensions).	68-70	85-68-68
N.I.	Rear window corner channel reinforcement	68-70	761-68-68
N.I.	Floor pan rear side rail support (to inner sill) L or R	68-70	85-66-68
N.I.	Outer rear cross rail, specify L or R	68-70	85-68-68E
N.I.	Bucket seat brackets, 4 piece set	66-70	85-66-69
70	Front floor 3/4 length to factory seam, 56" Lx28"W	68-70	*85-66-70
N.I.	Front floor pan complete, side to side, one piece	68-70	*85-68-71
N.I.	Full floor pan, factory style	68-70	*86-68-71A
72	Front floor pan half, 24"L x 26"W	66-70	85-66-72
74	Rear floor pan half, 29"L x 22"W	66-70	85-66-74

Index#	Description	Year	Mill Part#
N.I.	Rear floor pan complete, side to side, one piece	68-70	*85-68-75
75	Outer rear wheelhouse	68-70	86-68-75
76	Trunk floor pan half, stamped, 29"W x 41"L	68-70	86-68-76
76A	Trunk floor half, 51-1/2"L, specify L or R	68-70	86-68-76A
77	Trunk floor side ext. w/inside lower quarter	68-70	86-68-77
78	Trunk rear cross member (between bumper & trunk)	68-70	86-68-78
N.I.	Trunk cross member extension	68-70	86-68-78A
N.I.	Trunk floor complete one piece	68-70	*86-68-79
79	Trunk floor side ext. w/inside lower qtr.	66-67	185-66-79
80	Trunk floor brace	68-70	85-66-80
81	Gas tank strap support, weld under trunk floor, univ	68-70	85-68-81
83	Gas tank brace, front (2 required)	68-70	85-68-83
N.I.	Gas tank brace, center	68-70	85-68-84
N.I.	Rear floor pan shock absorber crossmember	68-70	86-68-92
N.I.	Rear frame rail assembly	68-70	86-68-93
N.I.	Front floor support brace, front, univ (2 required)	68-70	85-68-94
N.I.	Front floor support brace, rear, univ (2 required)	68-70	85-68-95
N.I.	Spare tire hold down bracket	66-70	85-68-97
N.I.	Rear spring front hanger bracket, specify L or R	68-70	85-66-98
99	Rear spring front hanger bracket to rail brace, L or R	68-70	85-66-99

WEATHERSTRIP

Description	Year	Part No.
Door Seals, 2-Door Hardtops and Conv., R & L, Made w/correct ends and clips & soft skin covered sponge. Perfect reproduction	66-67	LM-23-B
Door Seals, 2-Door Hardtops, R & L, Made with steel cores and white clips plus molded ends.	68-70	LM-23
Roof rail seal, 2-Door hardtops (no posts)	68-70	RR-4001-A
Trunk Seal Kit, Made like original w/2 different profiles.	66-67	TK-2326
Trunk Seal Kit, Made like original w/2 different profiles.	68-70	TK-2320



DASH TOP

Description	Year	Mill Part #
Dash top, fits Roadrunner/GTX/Belvedere/Satellite	69-70	DT-910

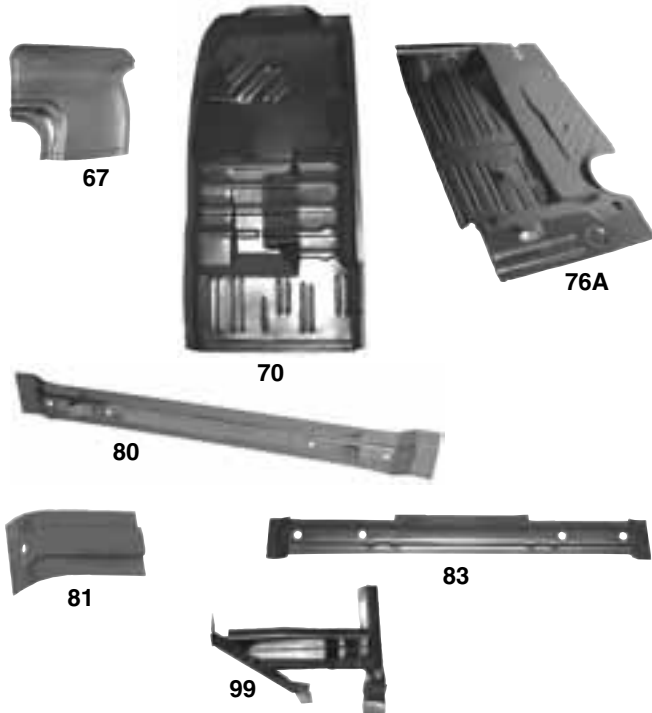
Specify LH (Drivers Side) or RH (Passenger Side) When Ordering.



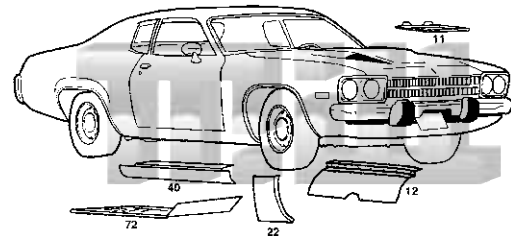
Bold Type - New Item • * - Too Large for UPS • N.I. - Not Illustrated
800-888-5072 • Toll Free Fax 888-781-2700
visit our web site: www.rustrepair.com



All manufacturers' names, numbers, and descriptions are used for reference purposes only. It is not implied that any part listed is the product of the original manufacturers or approved by any of these manufacturers.



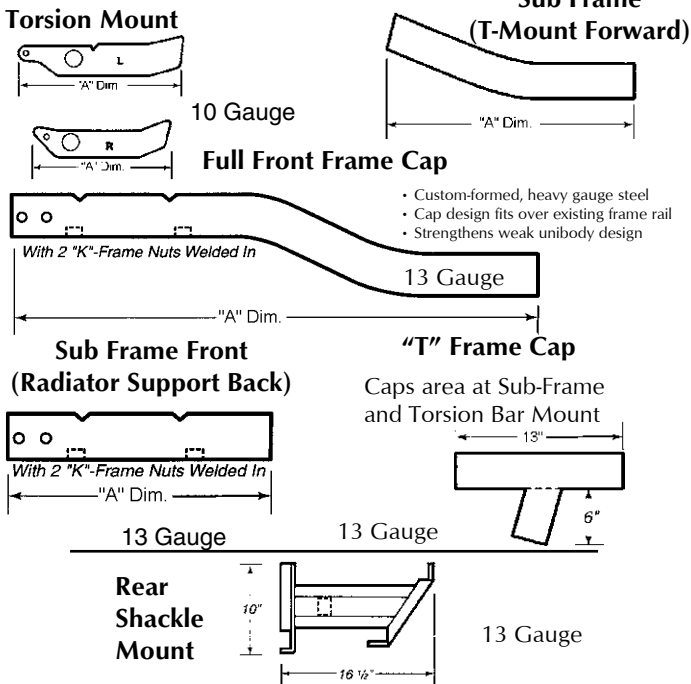
PLYMOUTH SATELLITE/ROADRUNNER 71-74



REPLACEMENT SHEETMETAL

Index#	Description	Year	Mill Part#
N.I.	Radiator support bracket, RH	71-74	74-70-06R
11	Battery tray	71-72	74-70-11
12	Front wheelhouse upper front section	71-74	74-70-12
N.I.	Front wheelhouse upper rear section	71-74	74-70-13
N.I.	4-Speed tunnel hump, auto to manual conversion	71-74	74-70-15
22	Front fender lower rear sec, 16"H	73-74	86-73-22
N.I.	Door jamb pillar, specify L or R	71-72	743-71-24
N.I.	Outer rear wheelhouse, specify L or R	71-74	743-71-25
N.I.	Inner rear wheelhouse, specify L or R	71-74	743-71-26
40	Rocker, 2DR	71-74	86-71-40
N.I.	Quarter panel complete, 2DR, specify L or R	71	*743-71-49
N.I.	Quarter panel complete, 2DR, specify L or R	72	*743-72-49
N.I.	Quarter panel to crown line, 2DR, specify L or R	71	*743-71-50
N.I.	Quarter panel to crown line, 2DR, specify L or R	72	*743-72-50
N.I.	Upper rear wheel arch area, specify L or R	71-72	743-71-51
N.I.	Rear quarter, lower front section, 2DR, specify L or R	71-72	743-71-54
N.I.	Rear quarter, lower rear section, 2DR, specify L or R	71	743-71-57
N.I.	Rear quarter, lower rear section, 2DR, specify L or R	72	743-72-57
70	Front floor pan complete, side to side, 47"L x 58"W	71-74	*74-71-70
72	Front floor pan, 26"W x 26"L, specify L or R	71-74	74-70-72
N.I.	Trunk floor half, specify L or R	71-73	85-71-76
N.I.	Spare tire hold down bracket	71-74	77-67-76A
N.I.	Trunk weatherstrip gutter, specify L or R	71-74	743-71-77
N.I.	Rear floor pan, specify L or R, will fit 71&74 if modified	72-73	85-72-77
N.I.	Trunk floor outer drop off (outer side) specify L or R	71-74	743-71-79
N.I.	Gas tank brace	71-74	85-71-80
N.I.	Rear panel to rear crossmember extension, spec L or R	71-74	743-71-82
N.I.	Rear frame rail	71-74	85-71-93
N.I.	Rear spring shackle support	71-74	85-71-94
N.I.	Front floor support brace, front	71-74	74-70-94
N.I.	Front floor support brace, rear	71-74	74-70-94B
N.I.	Torsion bar anchor crossmember	70-72	74-70-98

FRAME PATCHES



Description with "A" Dim.	Year	Part No.
LH Torsion Mount, 21-3/4"	66-74	85-66-82-L
RH Torsion Mount, 19-3/4"	66-74	85-66-82-R
Sub Frame Front, 35-1/2"	66-74	85-66-83
Sub Frame, 25-1/2"	66-74	85-66-87
Full Front Frame Cap, 61"	66-74	85-66-84
"T" Frame Cap	66-74	85-66-85
Rear Shackle Mount	66-74	85-66-86

DASH TOP

DashTop covers fit right over existing dash, makes your dash look new again.



Description	Year	Mill Part #
Fits Roadrunner/Satellite	71-74	DT-907

PLYMOUTH SUNDANCE 87-94
PLYMOUTH DUSTER 92-94

ALSO FITS: DODGE SHADOW 87-94

40

42

REPLACEMENT SHEETMETAL

Index#	Description	Year	Mill Part#
40	Rocker, 2DR, 62"L	87-94	178-87-40
42	Rocker, 4DR, 62"L	87-94	178-87-42

Specify LH (Drivers Side) or RH (Passenger Side) When Ordering.

All manufacturers' names, numbers, and descriptions are used for reference purposes only. It is not implied that any part listed is the product of the original manufacturers or approved by any of these manufacturers.



Bold Type - New Item • * - Too Large for UPS • N.I. - Not Illustrated
800-888-5072 • Toll Free Fax 888-781-2700
visit our web site: www.rustrepair.com





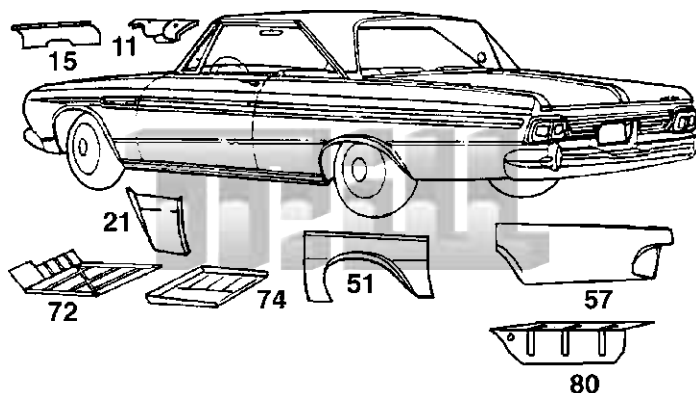
PLYMOUTH 49-52



REPLACEMENT SHEETMETAL

Index#	Description	Year	Mill Part#
40	Rocker, 2DR, specify L or R	49-52	185-49-40
42	Rocker, 4DR, specify L or R	49-52	185-49-42

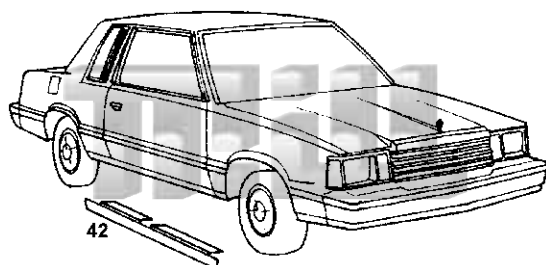
PLYMOUTH BELVEDERE 64
FURY 63-64
SATELLITE 65



REPLACEMENT SHEETMETAL

Index#	Description	Year	Mill Part#
11	Cowl panel, left side only	63-65	185-63-11
N.I.	Cowl panel, lower left side only	63-65	185-63-12
N.I.	Shifter tunnel	63-65	185-63-14
15	Inner front wheel shield	63-65	185-63-15
21	Front fender lower rear section	63-65	185-64-21
51	Rear wheel arch area	63-65	185-63-51
57	Rear quarter lower rear section	63-65	185-63-57
72	Front floor pan half	63-65	185-63-72
N.I.	Floor pan under front seat, 20"L x 31"W	63-65	185-63-73
74	Rear floor pan half	63-65	185-63-74
80	Trunk filler, inner rear quarter lower rear section	63-65	185-63-80

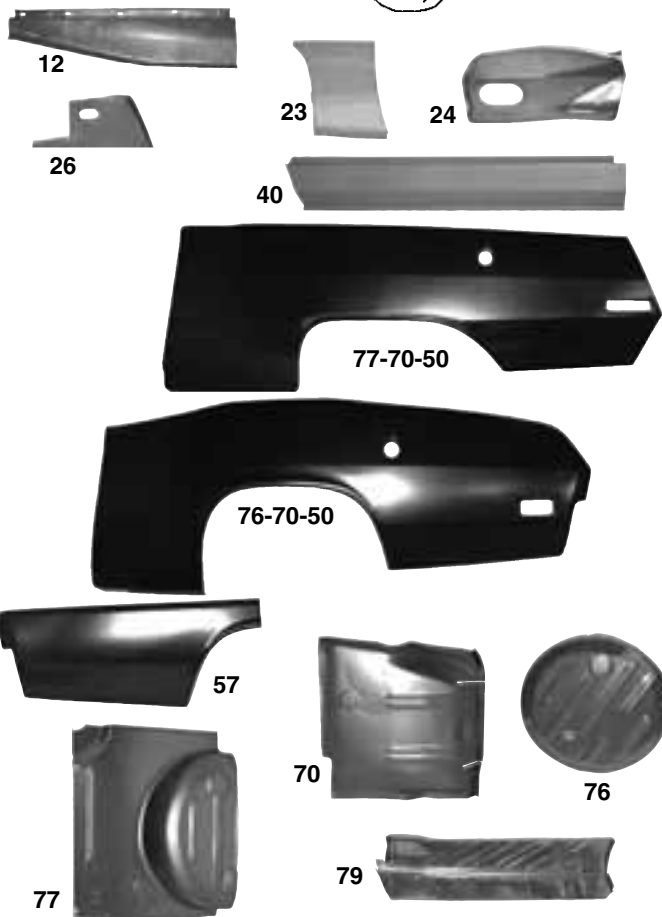
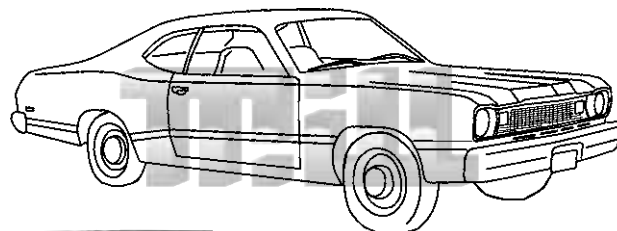
PLYMOUTH RELIANT/DODGE ARIES 81-89



REPLACEMENT SHEETMETAL

Index#	Description	Year	Mill Part#
42	Rocker, 4DR	81-89	77-81-42

PLYMOUTH SCAMP/VALIANT 67-76
DUSTER 70-76



REPLACEMENT SHEETMETAL

Index#	Description	Year	Mill Part#
12	Inner front wheel shield	67-76	77-67-12
23	Front fender lower rear sec, fits Duster	70-76	77-70-23
24	4-Speed tunnel hump, for auto to manual conversion	67-76	77-67-24
26	Front fender inner splash shield, Dart/Duster	67-75	77-67-26
40	Rocker, 2DR	67-76	77-67-40
50	Rear quarter, fits 2DR Valiant/Scamp (alter marker light hole to fit 1972-76 models)	70-71	*77-70-50
57	Rear quarter, fits 2DR Duster/Dart Sport/Demon	70-71	*76-70-50
57	Rear quarter, lower rear section, 18"H x 44"L	70-76	76-70-57
70	Front floor pan section	67-76	77-67-70
N.I.	Rear floor pan section	67-76	77-67-71
76	Trunk floor center sec, bottom of tire well	67-76	77-67-76
77	Trunk floor half, 26"W x 32"D, specify L or R	67-74	77-67-77
N.I.	Spare tire hold-down bracket	67-71	77-67-76A
79	Trunk filler panel, fits Duster/Demon	70-74	77-70-79
N.I.	Battery tray, fits Duster/Demon	67-74	77-67-91

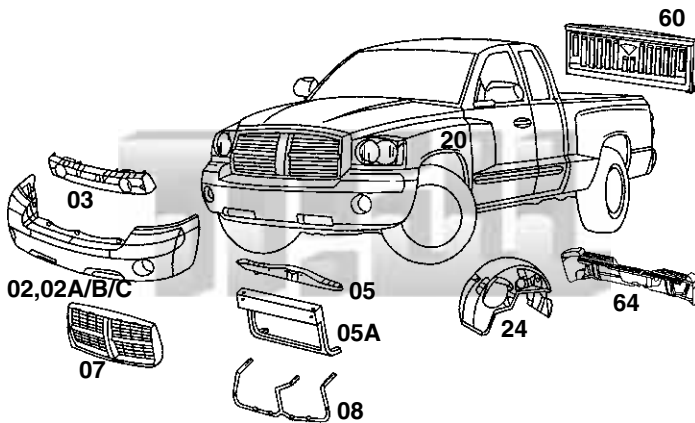
Specify LH (Drivers Side) or RH (Passenger Side) When Ordering.





DODGE DAKOTA PICK-UP

05-08



REPLACEMENT BODY PANELS

Index #	Description	Year	Mill Part#
02	Front Bumper Cover smooth, w/chrome cover moulding holes, paint to match	05-07	*820-05-02
02A	Front Bumper Cover without chrome cover moulding holes, paint to match	05-07	*820-05-02A
02B	Front Bumper Cover, Textured, dark gray w/o chrome cover moulding holes, with fog lamp holes	05	*820-05-02B
02C	Front Bumper Cover, Textured, dark gray with chrome cover moulding holes, with fog lamp holes	05	*820-05-02C
03	Front bumper re-bar	05-07	820-05-03
N.I.	Front bumper re-bar	08	820-08-03A
N.I.	Front bumper support bracket	05-07	820-05-03C
N.I.	Front cover moulding chrome	05-07	820-05-04
05	Upper tie bar	05-08	820-05-05
05A	Lower tie bar	05-08	820-05-05A
07	Grille, chrome/black	05-06	820-05-07
08	Grille bracket	05-07	820-05-08
20	Front fender	05-07	*820-05-20
24	Front wheelhouse	05-08	*820-05-24
60	Tailgate shell, without spoiler	05-08	820-05-60
64	Rear face bar only, black, paint to match	05-08	820-05-64
N.I.	Step Bumper Assy, Chrome, Factory style w/pads and brackets (less license lamps)	05-08	820-05-66
N.I.	Step Bumper Assy, Paint to match, Factory style with pads and brackets (less license lamps)	05-08	820-05-67

DOOR HANDLES

Description	Year	Mill Part#
Door handle, outside front, black, Dakota LH w/ or w/o keyless entry; RH w/o keyless entry	05-08	80-02-381
Door handle, outside rear, textured black	05-08	80-02-383

LAMPS

Description	Year	Mill Part#
Combination Headlamp	2005	820-05-421
Combination Headlamp, w/black bezel	06-07	820-06-422
Combination Headlamp, w/o Black bezel	06-07	820-06-423
Combination Taillamp	05-08	820-05-426
License lamp set, chrome	05-08	820-05-430
License lamp set, black	05-08	820-05-432

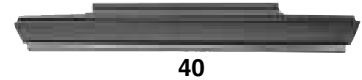
DODGE RAM 50, D50

79-86

PLYMOUTH ARROW PICK-UP

MITSUBISHI PICK-UP, USA only

83-86



REPLACEMENT BODY PANELS

Index#	Description	Year	Mill Part#
40	Rocker panel	79-86	441-79-40

GAS TANK

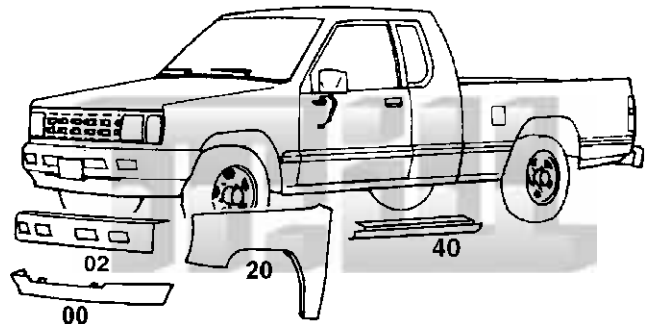
N.I.	Gas tank, 15 gallon, 79-7/85 D50, 83-86 Mitsubishi	79-7/85	441-79-110
-------------	--	---------	------------

DODGE D-50 PICK-UP

87-93

MITSUBISHI PICK-UP USA only

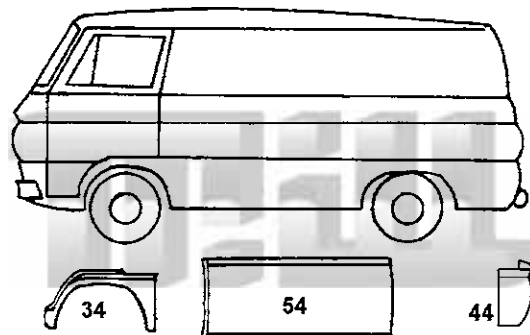
87-96



REPLACEMENT BODY PANELS

Index#	Description	Year	Mill Part#
00	Valance panel, front	87-92	441-87-00
02	Front bumper, black	87-92	441-87-02
N.I.	Front bumper end, black	87-92	441-87-07
20	Fender, 2WD w/o flair	87-96	*441-87-20
40	Rocker panel, with standard cab	87-96	441-87-40

DODGE VAN 64-70



REPLACEMENT BODY PANELS

Index#	Description	Year	Mill Part#
34	Front wheel arch	64-70	81-64-34
44	Rear corner panel	64-70	81-64-44
54	Left side panel 18"Hx54"L	64-70	81-64-54

Specify LH (Drivers Side) or RH (Passenger Side) when ordering

All manufacturers' names, numbers, and descriptions are used for reference purposes only. It is not implied that any part listed is the product of the original manufacturers or approved by any of these manufacturers.

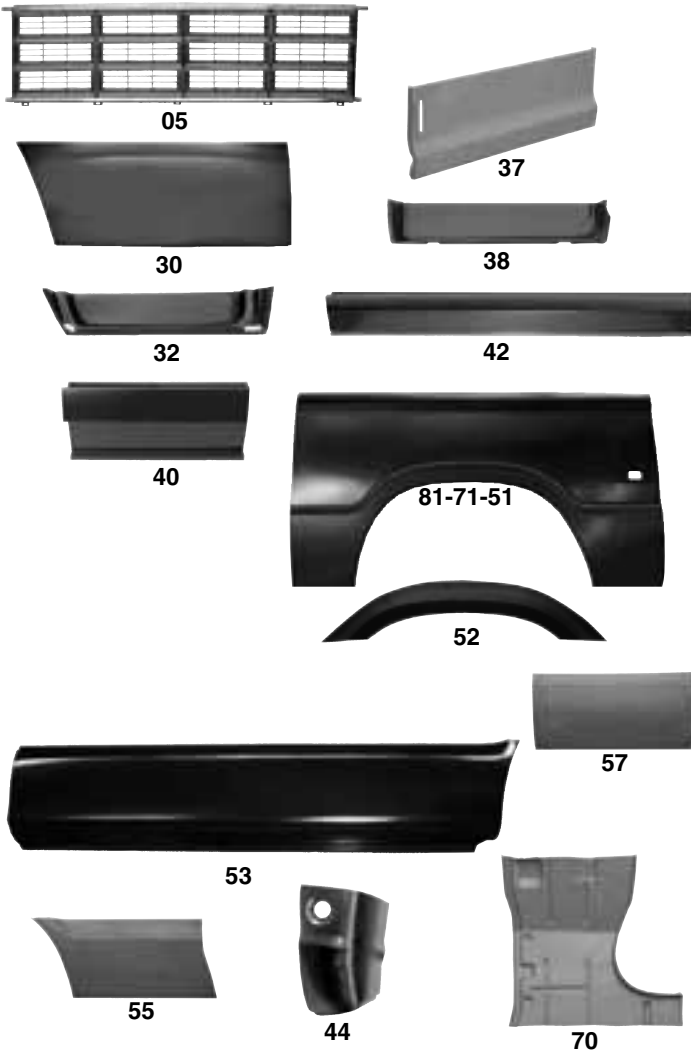


Bold Type - New Item • ****** Too large for UPS • **N.I.** Not Illustrated
 800-888-5072 • Toll Free Fax 888-781-2700
 Visit our web site: www.rustrepair.com



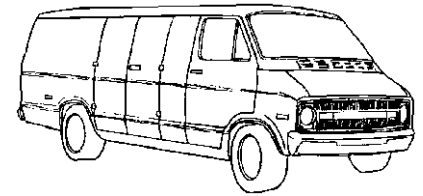


DODGE VAN, PLYMOUTH VAN 71-2003



REPLACEMENT BODY PANELS

Index#	Description	Year	Mill Part#
N.I.	Valance panel	79-93	81-79-02
N.I.	Front filler panel (order LH or RH)	94-97	81-94-03
N.I.	Grille w/rect. H/L, chrome/argent/black	79-85	81-84-04
N.I.	Grille, blk/argent, for use w/rect. H/L door	86-93	81-86-04
05	Grille, chrome/black, for use w/rect. H/L door	86-93	81-86-05
N.I.	Grille, chrome/gray	94-97	81-94-06
N.I.	Grille, paint to match	94-97	81-94-06A
N.I.	Grille, chrome/black	98-03	81-98-06B
N.I.	Grille, paint to match	98-03	81-98-06C
N.I.	H/L door, chrome/silver/black w/single rect. H/L	86-93	81-86-09
N.I.	Grille extension panel, LH or RH	94-97	81-94-11
N.I.	Grille extension panel, LH or RH	98-03	81-98-11
N.I.	Front bumper, chrome, w/o pad holes	79-85	81-75-13
N.I.	Front bumper, chrome, w/o pad holes	86-93	81-86-13
N.I.	Front bumper, chrome with pad holes	86-93	81-86-14
N.I.	Front bumper, chrome w/step pad hole	94-97	81-94-16
N.I.	Front bumper, w/o step pad hole, paint to match	94-97	81-94-17
N.I.	Front bumper, chrome	98-03	81-98-18
N.I.	Front bumper, painted	98-03	81-98-19
N.I.	Front Fender	98-03	81-98-20
30	Doorskin, outer, front 10"H	71-03	81-71-30
N.I.	Doorskin, outer, RH sliding 15"H	78-03	81-78-31
32	Inner front door bottom, 5"H	71-97	81-71-32
N.I.	Doorskin, LH side cargo door, 10"H (aft door)	78-03	81-78-34
N.I.	Doorskin, RH side cargo door, 10" (forward door)	71-03	81-71-35



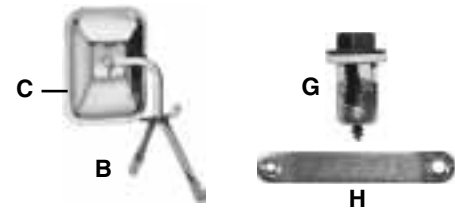
REPLACEMENT BODY PANELS Continued

Index#	Description	Year	Mill Part#
37	Doorskin, dual rear doors, 10"H, fits LH or RH	71-03	81-71-37
38	Inner side door bottom, fore 71-on, aft door 71-77	71-77	81-71-38
38	Inner side door bottom, aft door, 4"H	78-03	81-78-38
40	Rocker, front door, 28"L x 6"H	71-03	81-71-40
42	Rocker, right cargo door, Swing style doors only	71-03	81-71-42
44	Rear corner panel, 21" (fill in gas hole for 78-up LH)	71-77	81-71-44
N.I.	Rear wheel arch RH (2" between wheel and door)	71-77	81-71-50-R
51	Rear wheel arch 24"Hx52"L	71-77	81-71-51
N.I.	Rear wheel arch RH (2" between wheel and door)	78-97	81-78-51-R
52	Upper rear wheel arch, 5" span	71-03	81-71-52
53	Left side panel 12"Hx73"L	71-03	81-71-53
55	RH quarter, between wheel & door,(11"H, 127" W/B)	78-03	81-78-55
57	Rear quarter lower rear section 14"Hx29"L (Used as an extension on maxi van w/part# 81-71-58)	71-03	81-71-57
N.I.	Rear quarter lower rear sec 14"Hx15"L (directly behind wheel)	71-03	81-71-58
N.I.	Rear bumper, chrome w/o pad holes	86-93	81-86-65
N.I.	Rear bumper, painted w/o pad holes	86-93	81-86-67
N.I.	Rear bumper, painted, w/o step pad holes	94-03	81-94-69
70	Cab floor front section, 23"L	71-01	81-71-70



WEATHERSTRIP

Belt weatherstrip - LH or RH, Inner or Outer, each	71-79	81-71-96
Belt weatherstrip kit, inner/outer L&R door 4pc kit	71-79	81-71-215
Window weatherstrip 8pc kit; Includes: 2 upper glass runs, 2 div. bar liners, 4 belt weatherstrip for L & R door	71-79	81-71-220
Belt weatherstrip, inner DS - Outer PS, each	80-97	81-80-207
Belt weatherstrip, outer DS - Inner PS, each	80-97	81-80-208
Belt weatherstrip kit, inner/outer L&R door 4pc kit	80-97	81-81-215
Window weatherstrip 8 pc kit; Includes: 2 upper glass runs, 2 div. bar liners, 4 belt weatherstrip for L & R door	80-97	81-80-220
Door weatherstrip, front door, fits L or R door, 1 pc	70-97	81-78-90



MIRRORS

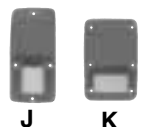
Index#	Description	Mill Part#
B	Below eye level assy w/ext. mount head, white, 1 per box	2809-15
B	Below eye level assy w/ext. mount head, S.S.; 1 per box	2809-35
C	Stainless head only for 2809-35	1211-35
G	Fasteners for Mirrors, 25/box	AV-13232
H	Friction wrench for AV-13232 (1 pc.)	AV-14156

CAB FLOOR MATS - Heavy duty rubber like original

Description	Year	Mill Part#
Left Side	79-94	81-79-101
Jute padding for under cab mats, 3' x 6' x 3/8" thick		M-1631

LAMPS & LENSES

Index#	Description	Year	Mill Part#
J	Dodge van lens w/divider plate (universal)	70-77	G-4702
K	Dodge van lens w/divider plate LH	78-88	G-4706
K	Dodge van lens w/divider plate RH	78-88	G-4707

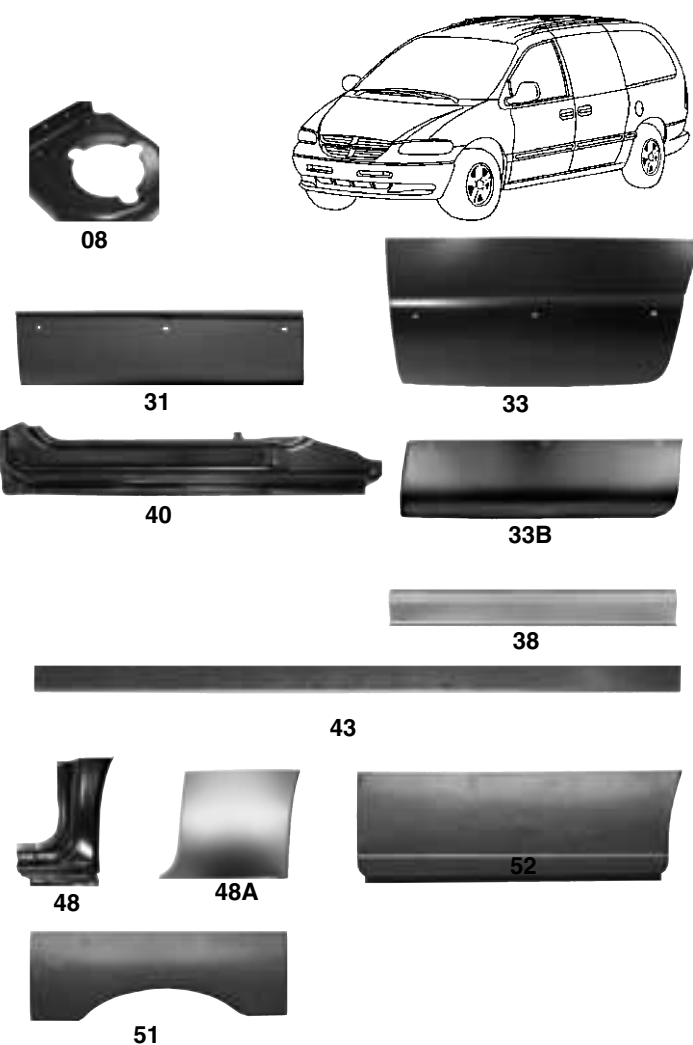


Specify LH (Drivers Side) or RH (Passenger Side) when ordering





DODGE CARAVAN/PLYMOUTH VOYAGER 96-00



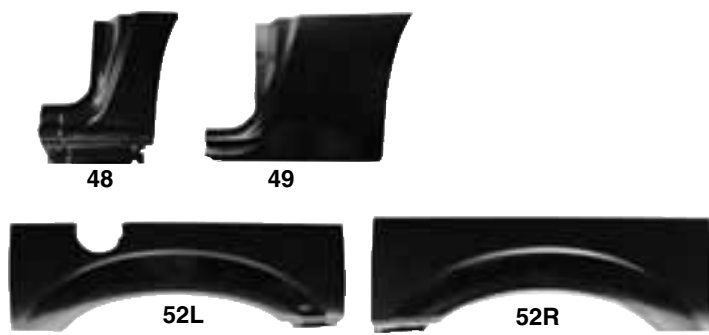
REPLACEMENT BODY PANELS

Index#	Description	Year	Mill Part#
N.I.	Upper tie bar	96-00	85-96-04
08	Front strut tower patch, L or R	96-00	85-96-08
N.I.	Front fender	96-00	*85-96-20
N.I.	Front fender liner, 96 Caravan, 97-00 Caravan w/o sport package, 97-00 Voyager		85-96-24
N.I.	Front fender liner, 96 Voyager, 97-00 Caravan with sport package, 96-00 Town & Country		85-96-25
31	Doorskin, lower front, 39"L x 11"H	96-00	85-96-31
33	Doorskin, lower sliding door, 35"L x 19"H	96-00	85-96-33
33B	Doorskin, lower sliding door, 11"H	96-00	85-96-33B
38	Rocker panel, sliding door, 48"L x 6.5"H, hand made	96-00	85-96-38
40	Rocker panel, front door, factory style, L or R	96-00	85-96-40
43	Rocker panel outer skin for 119" extended WB models trim for short wheel base models	96-00	85-96-43
48	Rear quarter lower front sec. of rear wheel, 9"L x 16"H standard van only, does not fit Grand Caravan	96-00	85-96-48
48A	Rear quarter lower front sec., long WB, fits Grand Caravan	96-00	85-96-48A
51	LH side panel, w/o left side sliding door, 40"L x 12"H	96-00	85-96-51
52	Upper rear wheel arch, 14"H x 40"L	96-00	85-96-52

MIRRORS

LH Mirror Assy, flat head, black, ELECTRIC	96-98	85-96-361
RH Mirror Assy, convex head, black ELECTRIC	96-98	85-96-363

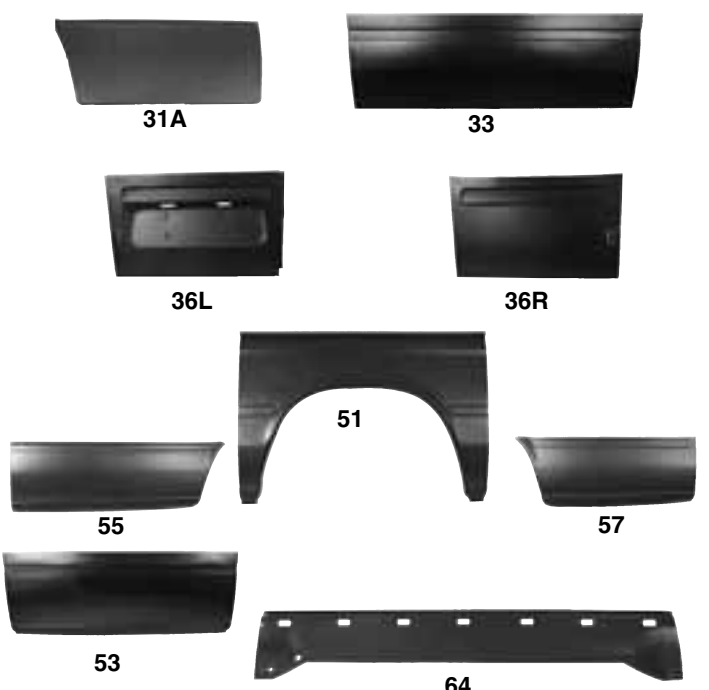
DODGE CARAVAN 01-07



REPLACEMENT BODY PANELS

Index#	Description	Year	Mill Part#
48	Rear quarter lower front sec. short wheel base, LH only	01-07	85-01-48L
49	Rear quarter lower front sec., long wheel base, LH only	01-07	85-01-49L
52	Upper rear wheel arch, specify L or R	01-07	85-01-52

DODGE SPRINTER VAN 03-06



REPLACEMENT SHEETMETAL

Index#	Description	Year	Mill Part#
N.I.	Front fender	03-06	285-03-20
N.I.	Front wheel lower rear section, between wheel & door 31"H and extends 12" toward rocker	03-06	285-03-21
N.I.	Doorskin, front door, lower outer, 26"H	03-06	285-03-31
31A	Doorskin, front door, lower outer, 12"H	03-06	285-03-31A
33	Doorskin, sliding side door, lower outer, universal L=R 47"L x 15"H	03-06	285-03-33
36	Doorskin, rear cargo door, lower outer, 31"L x 19"H	03-06	285-03-36
N.I.	Rocker panel, front door, 34"L	03-06	285-03-40
N.I.	Rocker panel, side sliding door, 47"L x 7"H	03-06	285-03-43
51	Rear wheel arch area, 42"L x 28"H	03-06	285-03-51
53	Lower side repair panel, 47"L x 19"H	03-06	285-03-53
55	Rear quarter, lower front section, LWB, 50"L x 17"H	03-06	285-03-55
57	Rear quarter, lower rear section, LWB, 42"L x 16"H	03-06	285-03-57
64	Rear panel below rear doors, 56"W x 9-3/4"H	03-06	285-03-64

Specify LH (Drivers Side) or RH (Passenger Side) when ordering

All manufacturers' names, numbers, and descriptions are used for reference purposes only. It is not implied that any part listed is the product of the original manufacturers or approved by any of these manufacturers.



Bold Type - New Item • ****** Too large for UPS • **N.I.** Not Illustrated
 800-888-5072 • Toll Free Fax 888-781-2700
 Visit our web site: www.rustrepair.com