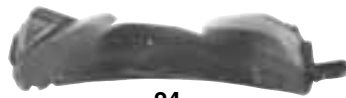




MERCURY COUGAR 89-97



24



40

REPLACEMENT SHEETMETAL

Index#	Description	Year	Mill Part#
N.I.	Front fender, fits Cougar/T-Bird Std./LX	89-95	*72-89-20
N.I.	Front fender, fits T-Bird & Cougar	96-97	*72-96-22
24	Front wheelhouse (splash shield)	89-95	72-89-24
N.I.	Lower doorskin, 2DR	89-97	72-89-31
40	Rocker panel, 2DR	89-97	72-89-40

MERCURY GRAND MARQUIS 92-97

ALSO FITS: FORD CROWN VICTORIA



40

REPLACEMENT SHEETMETAL

Index#	Description	Year	Mill Part#
40	Rocker panel, 4DR	92-97	223-92-40

OLDSMOBILE ACHIEVA 92-98



40



42

REPLACEMENT SHEETMETAL

Index#	Description	Year	Mill Part#
40	Rocker panel, 2DR	92-98	650-92-40
42	Rocker panel, 4DR	92-98	650-92-42

**OLDSMOBILE EIGHTY EIGHT, LSS, REGENCY 92-99
98 REGENCY FWD 91-96**



42

REPLACEMENT SHEETMETAL

Index#	Description	Year	Mill Part#
42	Rocker panel, 4DR	91-99	67-91-42

OLDSMOBILE 88/98 CUSTOM CRUISER, RWD 80-90

REPLACEMENT SHEETMETAL

Index#	Description	Year	Mill Part#
N.I.	Hood latch	78-88	50-73-13
N.I.	Rocker panel, 2DR	80-90	53-77-40
N.I.	Rocker panel, 4DR	80-90	53-77-42

OLDSMOBILE CUTLASS 64-67



40



42



51



57



67



70



77



78

REPLACEMENT SHEETMETAL

Index#	Description	Year	Mill Part#
N.I.	Dash top, metal	66-67	55-66-13
N.I.	Dash top reinforcement	66-67	55-66-14
N.I.	Front fender lower rear sec, 16"H	66-67	64-66-22
N.I.	Rocker, 2DR, factory style	64-67	55-64-39
40	Rocker, 2DR	64-67	55-64-40
42	Rocker, 4DR	64-67	55-64-42
N.I.	Rocker panel w/extension, 2DR	66-67	55-64-43
51	Rear wheel arch	66-67	64-66-51
57	Rear quarter lower rear section	66-67	64-66-57
N.I.	Panel behind rear window to trunk, 2DR	66-67	64-66-65
67	Inner rear wheelhouse	64-67	55-64-67
70	Floor pan half, 70"Lx30"W, L or R	64-67	*55-64-70
N.I.	Front floor pan, 31"L x 28"W, L or R	64-67	55-64-71
N.I.	Rear floor pan, 31"L x 30"W, L or R	64-67	55-64-72
N.I.	Floor pan under rear seat, 30L x 25"W, L or R	64-67	55-64-72A
N.I.	Trunk floor center, 45"L x 21"W	64-67	66-64-73
N.I.	Trunk floor side, 45"L x 23"W	64-67	66-64-74
N.I.	Trunk floor brace	64-67	55-64-75
N.I.	Floor to firewall panel extension	64-67	55-64-76
77	Front floor brace, rocker to rocker	64-67	55-64-77
78	Middle floor brace, rocker to rocker	64-67	55-64-78
N.I.	Rear floor brace, rocker to rocker	64-67	55-64-79
N.I.	Front floor brace, partial outer section, L or R	64-67	55-64-83
N.I.	Middle floor brace, partial outer section, L or R	64-67	55-64-84
N.I.	Trunk filler, inner lower rear quarter section	64-65	55-64-80
N.I.	Trunk filler, inner lower rear quarter section	66-67	55-66-80
N.I.	Trunk floor complete	64-67	*64-66-91

WINDOW CRANK

Window crank handle w/black knob, universal	53-58-380
Window crank handle w/clear knob, universal	53-58-383

GAS TANKS

N.I. Gas tank, exc station wagon	66-67	68-64-110
----------------------------------	-------	-----------

Specify LH (Drivers Side) or RH (Passenger Side) When Ordering.

All manufacturers' names, numbers, and descriptions are used for reference purposes only. It is not implied that any part listed is the product of the original manufacturers or approved by any of these manufacturers.

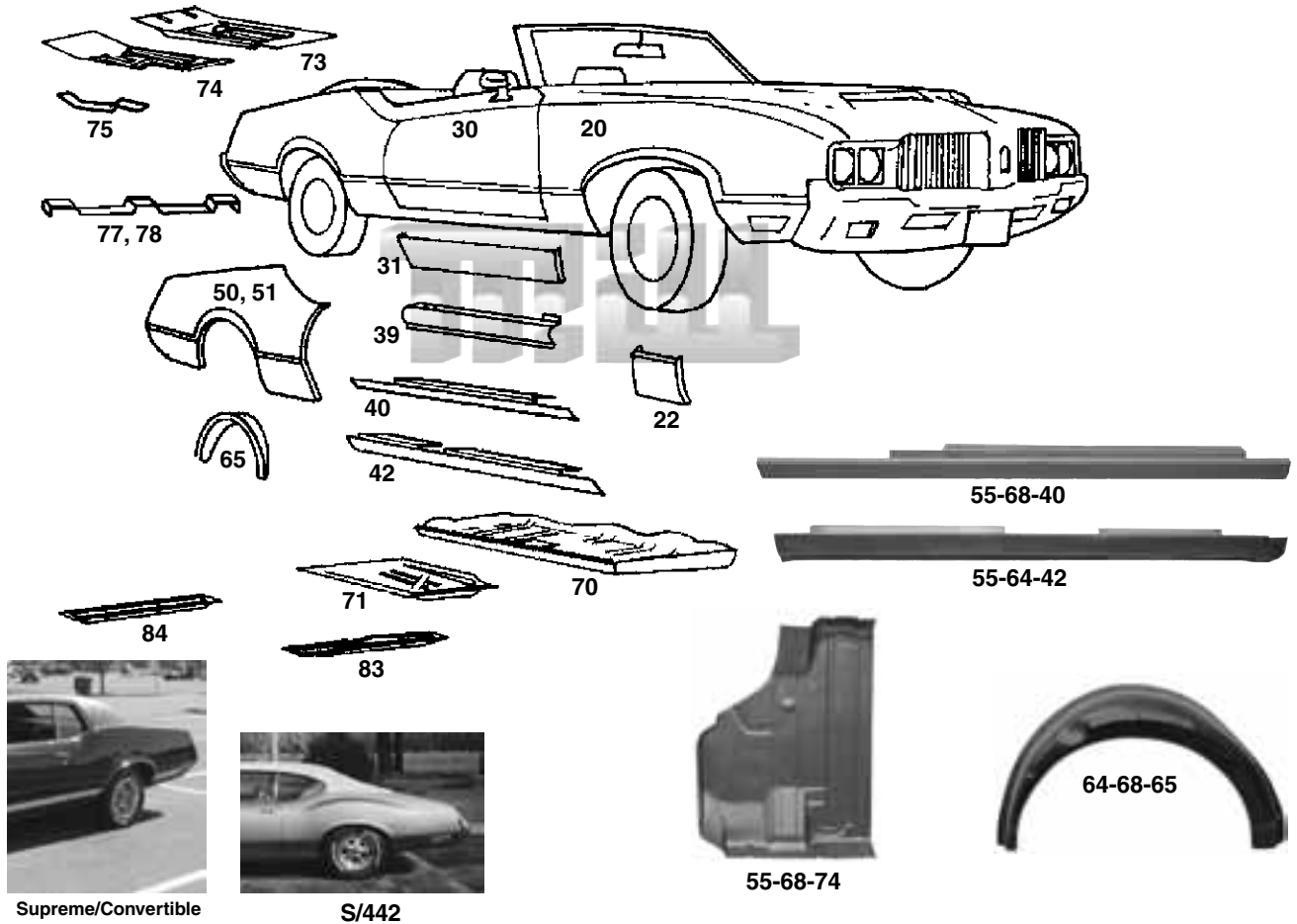


Bold Type - New Item • * - Too Large for UPS • N.I. - Not Illustrated
800-888-5072 • Toll Free Fax 888-781-2700
visit our web site: www.rustrepair.com





OLDSMOBILE CUTLASS 68-72



REPLACEMENT SHEETMETAL

Index	Description	Year	Mill Part#
N.I.	4-Speed shift hump w/o console	68-72	55-68-07
N.I.	4-Speed shift hump w/console	68-72	55-68-08
N.I.	Armrest, black plastic, paint to match	68-72	53-68-14
N.I.	Armrest base mouldings, stainless steel, one pair	68-72	53-68-17
20	Front Fender	70-72	*64-70-20
22	Front fender lower rear sec 19"H	68-69	64-68-22
22	Front fender lower rear sec 15"H w/offset	70-72	64-70-22
30	Full outer doorskin, 2DR	70-72	*64-70-30
31	Lower front doorskin, 2DR	68-69	64-68-31
31	Lower front doorskin, 2DR	70-72	64-70-31
39	Rocker, factory style, 2DR	68-72	55-68-39
40	Rocker, 2DR with ext., slip on style	68-72	55-68-40
42	Rocker, 4DR	66-72	55-64-42
N.I.	Inner rocker panel	68-72	55-64-45
50	Rear quarter panel, 2DR, 28" tall	68-69	*64-68-50
50	Rear quarter panel, fits 2DR (Cutlass + 442 only), 28" tall	70-72	*64-70-50
51	Rear quarter panel, fits 2DR Supreme & conv., 28" tall	70-72	*64-70-51
N.I.	Quarter panel, 2DR, factory style, fits convertible	70-72	*64-70-52
N.I.	Trunk lid, Convertible	70-72	*64-70-61
N.I.	Trunk lid, Supreme	70-72	*64-70-62
N.I.	Trunk lid, 442	70-72	*64-70-63
65	Outer rear wheelhouse	68-69	64-68-65
65	Outer rear wheelhouse	70-72	64-70-65
N.I.	Inner rear wheelhouse, except convertible	70-72	55-68-68
N.I.	Rear window to trunk panel	70-72	64-70-69
70	Floor pan half, 63" x 31W	68-72	*55-68-70
N.I.	Full floor pan, 1 piece design w/3 braces attached	68-72	*55-68-70A

Index	Description	Year	Mill Part#
71	Front floor pan, 31"L x 28"W	68-72	55-68-71
73	Trunk floor, center only	68-72	55-68-73
74	Trunk floor, side only, specify L or R	68-72	55-68-74
75	Trunk floor brace, specify L or R	68-72	55-68-75
N.I.	Floor to firewall extension, 17"L x 24"W, specify L or R	64-72	55-64-76
77	Front floor brace, rocker to rocker	66-72	55-64-77
78	Middle floor brace, rocker to rocker	66-72	55-64-78
N.I.	Rear floor brace, rocker to rocker	68-72	55-68-78A
N.I.	Filler panel, inner rear quarter, lower rear section	68-69	64-68-79
N.I.	Filler panel, inner rear quarter, lower rear section	70-72	64-70-79
N.I.	Trunk floor, one piece design, 39"L x 56"W	68-72	*55-68-80
N.I.	Trunk floor front cross member	68-69	55-64-81
N.I.	Toolwell, Station Wagon only	68-72	55-68-81
83	Front floor support outer section, specify L or R	66-72	55-64-83
84	Middle floor support outer section, specify L or R	66-72	55-64-84
N.I.	Battery tray w/L6 or 350 V8	68-72	64-68-91
N.I.	Battery tray w/400 or 455 V8	68-72	64-68-91A
N.I.	Battery retainer	68-72	53-65-92

WINDOW CRANK

Window crank handle w/black knob, universal	53-58-380
Window crank handle w/clear knob, universal	53-58-383

GAS TANKS

Gas tank, exc. station wagon	68-69	68-68-111
Gas tank, with evap. emiss. control, Exc S/W	70-72	68-70-113

Specify LH (Drivers Side) or RH (Passenger Side) When Ordering.



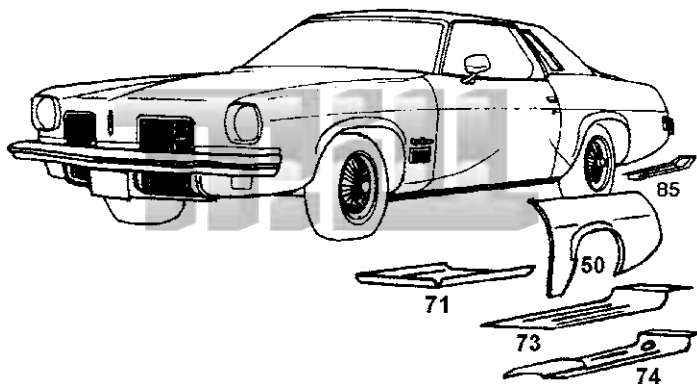
Bold Type - New Item • * - Too Large for UPS • N.I. - Not Illustrated
800-888-5072 • Toll Free Fax 888-781-2700
visit our web site: www.rustrepair.com



All manufacturers' names, numbers, and descriptions are used for reference purposes only. It is not implied that any part listed is the product of the original manufacturers or approved by any of these manufacturers.



OLDSMOBILE CUTLASS 73-77



REPLACEMENT SHEETMETAL

Index#	Description	Year	Mill Part#
N.I.	Rocker panel, 2DR, 57"L	73-77	55-73-40
50	Rear quarter lower half (alter bumper area for 73 models)	73-75	*64-73-50
50	Rear quarter, 30"Hx65"L	76-77	*64-76-50
71	Front floor pan, 22"W x 31"L, L or R	73-77	55-73-71
N.I.	Rear floor pan, 22"W x 26"L, L or R	73-77	55-73-72
73	Trunk floor center, 23"W x 36"L	73-77	55-73-73
74	Trunk floor sides, 19"W x 36"L	73-77	55-73-74
85	Fuel tank mounting brace	73-77	55-73-85
N.I.	Battery retainer	73-77	53-65-92

GAS TANK

N.I.	Gas tank, w/o filler neck, 2 or 4 DR	73-77	55-73-111
N.I.	Gas tank, w/filler neck, 2 DR	76-77	*55-73-110

OLDSMOBILE CUTLASS CIERA 82-96

REPLACEMENT SHEETMETAL

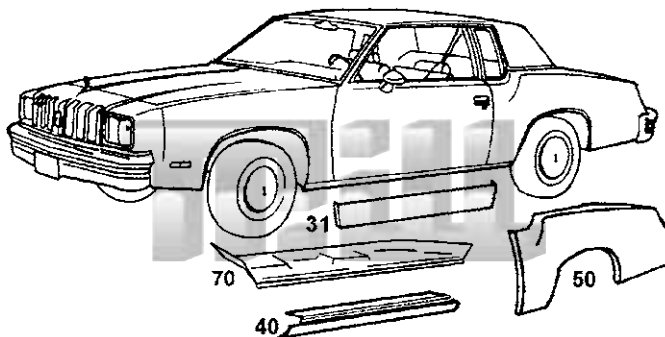
Index#	Description	Year	Mill Part#
N.I.	Rocker panel, 4DR	82-96	801-82-42

OLDSMOBILE CUTLASS SUPREME FWD 88-97

REPLACEMENT SHEETMETAL

Index#	Description	Year	Mill Part#
N.I.	Rocker panel, 2DR, Coupe/Conv. Factory style also fits Sedan 90-97	88-97	802-88-40

OLDSMOBILE CUTLASS SUPREME 78-88



REPLACEMENT SHEETMETAL

Index#	Description	Year	Mill Part#
N.I.	Hood latch	78-88	50-73-13
31	Lower doorskin, 10"H	81-88	64-81-31
N.I.	Inner door bottom, 2DR	81-88	59-81-32
40	Rocker, 2DR	78-88	59-78-40
50	Rear quarter, 2DR 27"H	78-80	*64-78-50
50	Rear quarter, 2DR full	81-88	*64-81-50
70	Floor pan half, 25" x 65"	78-88	*55-78-70
N.I.	Battery hold down bracket	78-88	55-78-98
N.I.	Battery tray	78-88	55-78-99

WEATHERSTRIP

Door weatherstrip, 4DR, front doors, pair	78-88	64-78-96
Door weatherstrip, 4DR, rear doors, pair	78-88	64-78-97

GAS TANKS

Gas tank, w/filler neck, fastback, rear wheel drive, 2 & 4 DR exc. S.W.	78-87	*64-78-110
Gas tank, w/o filler neck, fastback & notchback, 2 & 4 DR exc. S.W.	78-88	55-78-111
Gas tank, FWD, w/o fuel injection	82-85	64-82-114
Gas tank, FWD, with fuel injection	84-93	64-84-115

OIL PANS

Description	Oil Pan	Gasket
1978, V8, 350, 5.7 Liter	85-208	85-104
1980, V8, 350, 5.7 Liter	85-203	85-104
1981-82, V8, 267, 4.4 Liter; 305, 5 Liter	85-203	85-104
1988, V-6, 173 2.8 Liter	85-201	85-103

DOOR HANDLES

Description	Year	Mill Part#
Inside door handle, chrome	78-88	55-78-380
Outside door handle, chrome	78-88	55-78-381
Window crank handle w/black knob, universal	78-88	53-58-380
Window crank handle w/clear knob, universal	78-88	53-58-383

**OLDSMOBILE FIRENZA 82-88
SEE CHEVROLET CAVALIER**

**OLDSMOBILE OMEGA 68-79
SEE CHEVROLET NOVA**

Specify LH (Drivers Side) or RH (Passenger Side) When Ordering.

All manufacturers' names, numbers, and descriptions are used for reference purposes only. It is not implied that any part listed is the product of the original manufacturers or approved by any of these manufacturers.

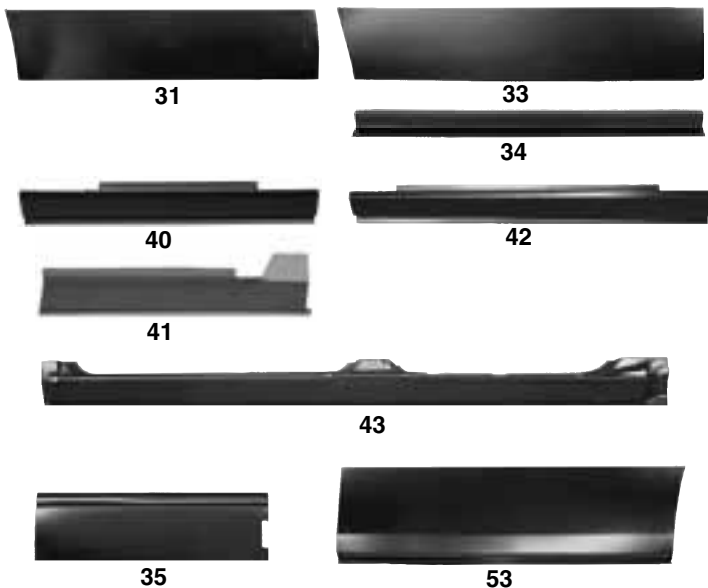
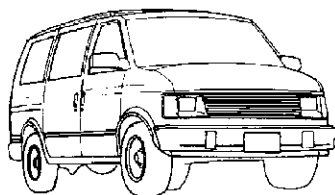


Bold Type - New Item • * - Too Large for UPS • N.I. - Not Illustrated
800-888-5072 • Toll Free Fax 888-781-2700
visit our web site: www.rustrepair.com





CHEV/GMC ASTRO/SAFARI MINI VAN 85-05



REPLACEMENT BODY PANELS

Index #	Description	Year	Mill Part#
N.I.	Front apron, lower	90-94	71-90-00
N.I.	Fender	85-94	71-85-20
N.I.	Fender	95-05	71-95-20
31	Doorskin, lower front, 33"L x 8.5"H	85-05	71-85-31
33	Doorskin, lower sliding, 42"L x 8"H	85-05	71-85-33
34	Inner sliding door bottom, 4"H	85-05	71-85-34
35	Doorskin, lower rear cargo door, 32"L x 10"H	85-05	71-85-35
40	Rocker, front door, 25"L, L or R	85-05	71-85-40
41	Inner rocker, front door, L or R	85-05	71-85-41
42	RH Rocker, sliding door only, 42"L	85-05	71-85-42
43	Rocker, front and sliding door, 74"L	85-05	71-85-43
53	Left side panel, lower (door to rear wheel)	85-05	71-85-53

WEATHERSTRIP

Sliding door weatherstrip	85-05	71-85-99
Front door weatherstrip	85-05	60-82-96

GAS TANK

Gas tank, 27 gallon, will replace the original 17 gallon tank by using the original straps and gauge	85-96	71-85-110
Gas tank, 27 gallon	97-99	71-97-111
Gas tank straps, set of two, not included w/tank	85-96	71-85-116

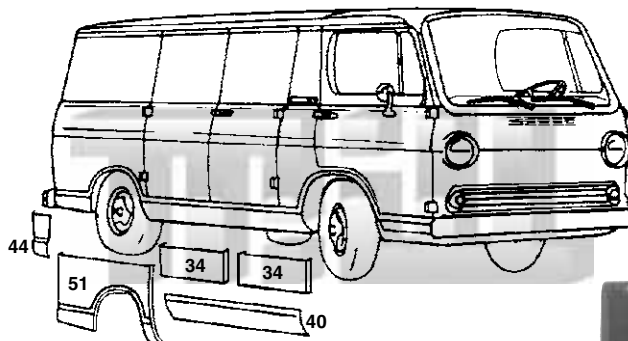
MIRRORS



LH Mirror, flat glass, black, MANUAL - REMOTE	88-98	71-88-357
RH Mirror, convex glass, black, MANUAL	88-98	71-88-358
LH Mirror, flat glass, black, ELECTRIC	88-98	71-88-351
RH Mirror, convex glass, black, ELECTRIC	88-98	71-88-353
LH Mirror, flat glass, ELECTRIC	1999	71-99-354
RH Mirror, convex glass, ELECTRIC	1999	71-99-355
LH Mirror, flat glass, ELECTRIC	00-05	71-00-356
RH Mirror, convex glass, ELECTRIC	00-05	71-00-357

Specify LH (Drivers Side) or RH (Passenger Side) when ordering

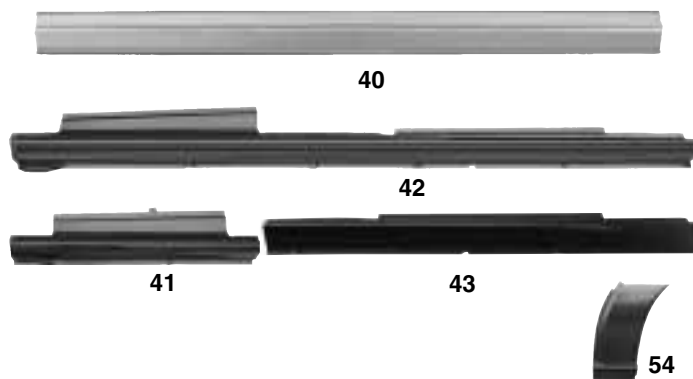
CHEV/GMC VAN 63-70



REPLACEMENT BODY PANELS

Index#	Description	Year	Mill Part#
34	Doorskin, side & rear 8"H	63-70	51-63-34
40	Rocker RH, under side cargo doors, 12x51	63-70	51-63-40
44	Rear corner 28"H	63-70	51-63-44
51	Rear wheel arch 25"Hx56"L	63-70	51-63-51
N.I.	Left side panel 29"Hx74"L	63-70	*51-63-54
N.I.	Left side extension 27"Hx30"L	63-70	51-63-59
A	Rear Side Marker Lens, Red	67-70	G-1142

CHEVROLET VENTURE, OLDSMOBILE SILHOUETTE, PONTIAC TRANSPORT & MONTANA 97-05



REPLACEMENT BODY PANELS

Index#	Description	Year	Mill Part#
N.I.	Outer doorskin, lower front, 11"Hx43"L, L or R	97-05	515-97-30
N.I.	Outer doorskin, lower sliding, 11"Hx39"L, L or R	97-05	515-97-33
40	Rocker Panel, hand formed, 78"L, universal	97-05	515-97-40
41	Rocker Panel, front door only, 33-3/4", L or R	97-05	515-97-41
42	Rocker panel, front and sliding door, 85", L or R	97-05	515-97-42
43	Rocker panel, sliding door only, 51-5/8", L or R	97-05	515-97-43
54	Rear quarter, lower front section, 14"Wx19"H, L or R	97-05	515-97-54

