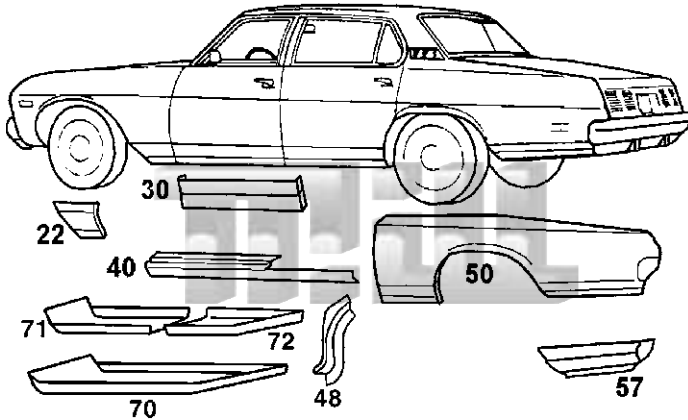




**CHEV. NOVA 75-79**

BUICK APOLLO  
OLDS OMEGA  
PONTIAC VENTURA



**REPLACEMENT SHEETMETAL**

Index#	Description	Year	Mill Part#
22	Front fender lower rear sec, 13"H	75-79	54-75-22
30	Doorskin, 2DR, lower 7"H	68-79	54-68-30
40	Rocker panel, with lower quarter, 2DR	68-79	54-68-40
N.I.	Rocker panel, 2DR, factory style	68-79	54-68-41
N.I.	Inner rocker, factory style	68-79	54-68-44
48	Dog leg, outer, 4DR	75-79	54-75-48
50	Rear quarter, 20"H, 2 Door only	75-79	*54-75-50
57	Rear quarter, lower rear sec, 12"H, 2 or 4 DR	75-79	54-75-57
70	Floor pan half, full length, 56"L x 18"W, specify L or R	68-79	54-68-70
71	Front floor pan half, 28"Lx18"W, specify L or R	68-79	54-68-71
72	Rear floor pan half, 29"Lx18"W, specify L or R	68-79	54-68-72

**GAS TANKS**

Gas tank w/o filler neck	74-79	54-73-111
Straps for gas tanks	73-79	54-73-115

**DOOR & WINDOW CRANK HANDLE**

Inside door handle, chrome, specify L or R	35-82-382
Window crank handle w/black knob, universal	53-58-380
Window crank handle w/clear knob, universal	53-58-383

**WEATHERSTRIP**

Door Weatherstrip w/clips, 2DR, pr	75-79	4024
Door Weatherstrip, w/clips, 4DR, front, pr	75-79	40813
Door Weatherstrip, w/clips, 4DR, rear, pr	75-79	40814

**DASHTOPS**

DashTop covers fit right over existing dash, makes your dash look new again.



Description	Year	Mill Part #
Dashtop without A/C, fits Nova	75-76	DT-224
Dashtop with A/C, fits Nova	75-76	DT-237

**CHEV. VEGA, PONTIAC ASTRE 71-77**

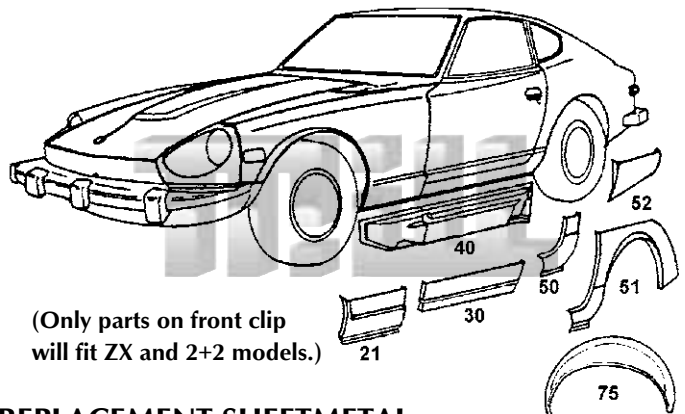
**REPLACEMENT SHEETMETAL**

Index#	Description	Year	Mill Part#
N.I.	Rear quarter skin, 2DR	71-77	*63-71-50

**WINDOW CRANK**

Window crank handle w/black knob, universal	53-58-380
Window crank handle w/clear knob, universal	53-58-383

**DATSUN 240Z/260Z/280Z 70-78**



(Only parts on front clip will fit ZX and 2+2 models.)

**REPLACEMENT SHEETMETAL**

Index#	Description	Year	Mill Part
21	Front fender lower rear, 11"H	70-78	167-70-21
30	Doorskin, outer 8"H	70-78	167-70-30
40	Rocker	70-78	167-70-40
50	Rear quarter lower front, 11"H	70-78	167-70-50
51	Rear wheel arch w/lower front qtr.	70-78	167-70-51
52	Rear quarter lower rear, 10"H	70-6/74	167-70-52
75	Rear wheelhouse, outer half	70-78	167-70-75

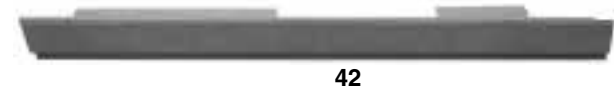
**DATSUN/NISSAN 280ZX 79-83**

**REPLACEMENT SHEETMETAL**

Index#	Description	Year	Mill Part#
N.I.	Center valance	79-83	167-79-01

**DODGE ARIES/PLYMOUTH RELIANT 81-89**

ALSO FITS: DODGE 400/600 1982-88



**REPLACEMENT SHEETMETAL**

Index#	Description	Year	Mill Part#
42	Rocker panel, 4DR	81-89	77-81-42

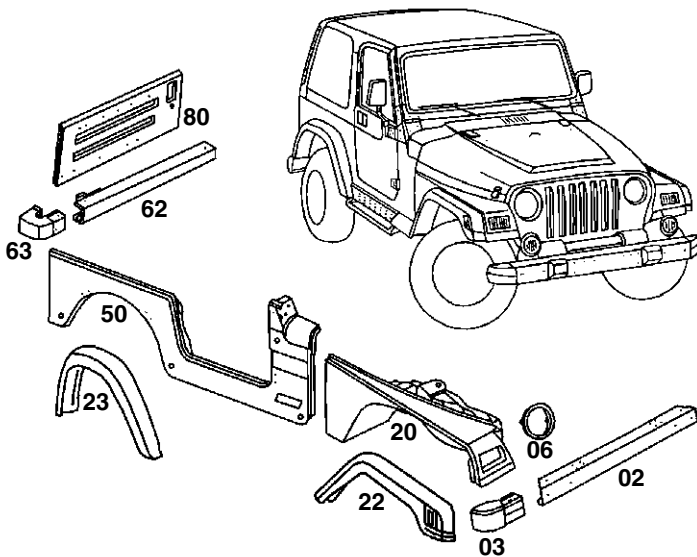
Specify LH (Drivers Side) or RH (Passenger Side) When Ordering.





**JEEP® WRANGLER/TJ**

**97-06**



**REPLACEMENT BODY PANELS**

Index#	Description	Year	Mill Part#
02	Front face bar, painted	97-06	62-97-02
03	Front face bar end cap, L or R	97-06	62-97-03
06	Headlight door, chrome	97-06	62-97-06
N.I.	Windshield frame	98-02	62-98-18
N.I.	Windshield frame	03-06	62-03-18
20	Front fender	97-06	*62-97-20
22	Front fender flare, black, textured	97-04	62-97-22
23	Rear fender flare, black, textured	97-04	62-97-23
50	Body side panel, short wheelbase	97-06	*62-97-50
62	Rear face bar, painted	97-06	62-97-62
63	Rear face bar end cap, L or R	97-06	62-97-63
80	Tailgate shell	97-06	62-97-80

**LAMP ASSEMBLIES**

Index#	Description	Year	Mill Part#
N.I.	Park/signal lamp, universal	97-06	62-97-373
N.I.	Side marker lamp, LH	97-06	62-97-374
N.I.	Side marker lamp, RH	97-06	62-97-375

**WEATHERSTRIP**

Index#	Description	Year	Mill Part#
N.I.	Door weatherstrip, 1/2 door, order L or R side	97-06	62-97-205
N.I.	Belt weatherstrip, outer, L & R, 2 pcs kit	97-06	62-97-215
N.I.	Windshield Seal w/ Inside garnish & reveal molding, 2 pc kit	97-06	62-97-218
N.I.	Side Panel Corner Seals for L & R side Protects body from hardtop, 2 pc kit	97-06	62-97-219

**JEEP® WRANGLER**

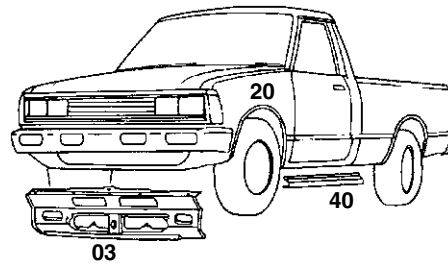
**07-08**

**REPLACEMENT BODY PANELS**

Index#	Description	Year	Mill Part#
N.I.	<b>Front bumper beam</b>	<b>07-08</b>	<b>62-07-02</b>
N.I.	<b>Front face bar w/fog lamps and tow hooks</b>	<b>07-08</b>	<b>62-07-04</b>
N.I.	<b>Grille</b>	<b>07-08</b>	<b>62-07-06</b>
N.I.	<b>Front fender</b>	<b>07-08</b>	<b>*62-07-20</b>
N.I.	<b>Splash shield for front fender</b>	<b>07-08</b>	<b>62-07-25</b>

**DATSUN/NISSAN 720 PICK-UP**

**80-85**



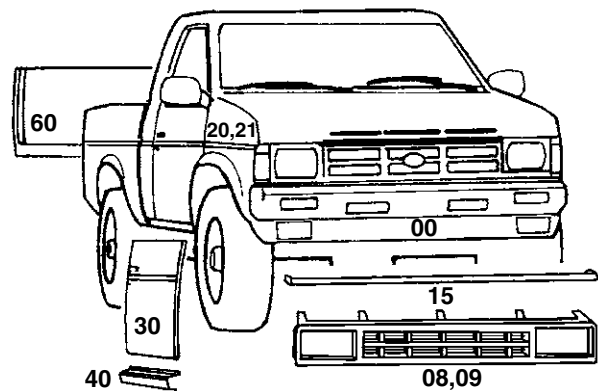
**REPLACEMENT BODY PANELS**

Index#	Description	Year	Mill Part#
03	Front panel lower part	83-85	169-83-03
20	Fender	80-85	*169-80-20
40	Rocker (fits L or R)	80-85	169-80-40



Description	Year	Mill Part #
Dashtop, 720 Pickup, 4X4/dx/gl/sp, not hard body	80-85	DT-315

**NISSAN HARDBODY PICK-UP 86-97  
& PATHFINDER 87-95**



**REPLACEMENT BODY PANELS**

Index#	Description	Year	Mill Part#
00	Front air deflector below bumper	86-92	169-86-00
N.I.	Grille, 2WD PU, dark argent	86-87	169-86-01
N.I.	Grille, 4WD PU, dark argent	86-87	169-86-02
N.I.	Grille, black, 88-89 PU, 87-89 Pathfinder	88-89	169-87-03
N.I.	Grille, dark argent, 2/4WD PU	90-92	169-90-04
N.I.	Grille, chrome/dark argent, 2/4WD PU	90-92	169-90-05
N.I.	Grille, dark argent, PU	93-97	169-93-06
N.I.	Grille, chrome/dark argent, PU	93-97	169-93-07
08	Grille, chrome, Pathfinder	93-95	169-93-08
09	Grille, black, Pathfinder	90-95	169-90-09
15	Filler panel	86-92	169-86-15
20	Fender, 2WD Pickup LH	86-97	*169-86-20-L
20	Fender, 2WD Pickup RH	86-88	*169-86-20-R
20	Fender, 2WD, Pickup w/antenna hole, RH	89-97	*169-89-20-R
21	Fender, 4WD LH	86-97	*169-86-21-L
21	Fender, 4WD RH	86-88	*169-86-21-R
21	Fender, 4WD, w/antenna hole, RH	89-97	*169-89-21-R
30	Doorskin, Outer, 23"H	86-94	169-86-30
40	Rocker panel, pickup only	86-97	169-86-40
51	<b>Rear wheel arch area</b>	<b>86-97</b>	<b>169-86-51</b>
60	Tailgate, PU only, Except SE	86-94	169-86-60

Specify LH (Drivers Side) or RH (Passenger Side) when ordering

