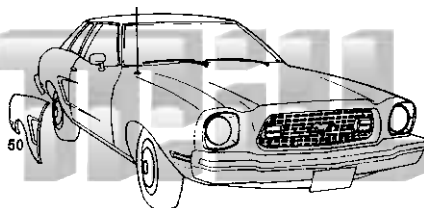




FORD MUSTANG 74-78



REPLACEMENT SHEETMETAL

Index#	Description	Year	Mill Part#
N.I.	Lower outer doorskin, 8"H	74-78	93-74-31
50	Rear quarter panel (alter for fastback) (Relocate gas fill hole on 74 models)	74-78	*93-74-50
N.I.	Front floor pan, 21"W x 30"L	74-78	93-74-71

DOOR HANDLES

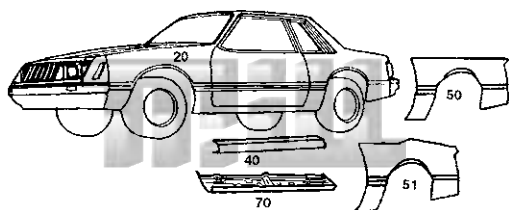
N.I.	Outside door handle, chrome. L or R	74-78	90-73-381
------	-------------------------------------	-------	-----------

DASH TOPS



Description	Year	Mill Part #
Dashtop, fits over existing dash, fits Mustang	74-78	DT-410

FORD MUSTANG 79-93



REPLACEMENT SHEETMETAL

Index#	Description	Year	Mill Part
N.I.	Radiator Support	90-93	*93-90-05
20	Fender	79-90	*93-79-20
20	Fender	91-93	*93-91-20
40	Rocker panel	79-93	93-79-40
50	Rear quarter panel, fits hatchback	79-93	*93-79-50
51	Rear quarter, fits coupe and convertible	79-93	*93-79-51
70	Floor pans, full half, 21"W x 53"L	79-93	93-79-70

GAS TANKS

Gas tank, 15.4 gal, pump on engine	4/81-86	93-81-110
Gas tank, pump on tank	83-91	93-83-111

DASH TOPS



DashTop covers fit right over existing dash, makes your dash look new again.

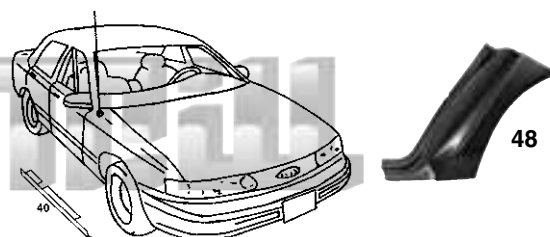
Description	Year	Mill Part #
Dashtop cover, fits Mustang	79-86	DT-412

WEATHERSTRIP

Belt weatherstrip, Sedan inner door belts, L & R side, also fits 80-86 convertible, 2 pc kit	81-93	93-81-101
Belt weatherstrip, Sedan, outer door belts, L & R side	87-93	93-87-102
Belt weatherstrip, Convertible inner/outer, L & R, 4pc kit	87-93	93-87-104
Quarter window belt weatherstrip, inner/outer, L/R, 4pc kit	83-93	93-83-105
Door seal kit, Hardtop, L & R side, 2pc kit	79-83	93-79-107
Door seal kit, Convertible, L & R side, 2pc kit	79-83	93-79-108
Plastic window molding set, Hatchback, L & R side, 2pc kit	87-93	93-87-110
Windshield seal, Convertible, L & R side, 2pc kit	89-93	93-89-111
Door reveal molding kit, L & R side	87-93	93-87-113
"A" Pillar post weatherstrip set, convertible, L & R, 2pc kit	83-86	93-83-115
"B" Pillar post weatherstrip set, convertible, L & R, 2pc kit	88-93	93-88-116

Specify LH (Drivers Side) or RH (Passenger Side) When Ordering.

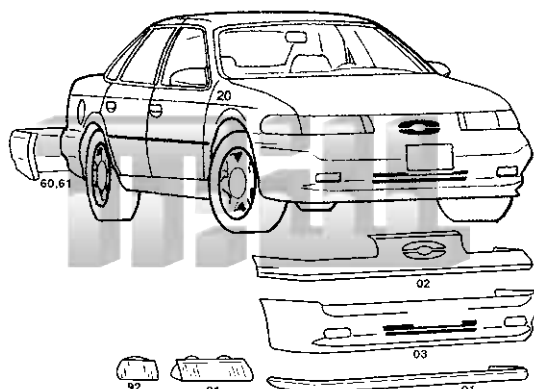
FORD TAURUS 86-91



REPLACEMENT SHEETMETAL

Index	Description	Year	Mill Part#
40	Rocker Panel, 4DR	86-91	95-86-40
48	Dog leg, 4DR, 12"H	86-91	95-86-48

FORD TAURUS 92-95



REPLACEMENT SHEETMETAL

Index#	Description	Year	Mill Part#
01	Front valance, Exc. SHO	92-95	95-92-01
02	Stone deflector, Exc. SHO	92-95	95-92-02
03	Front bumper cover assembly, Exc. SHO w/o corner lamp hole, w/valance (assembled) paint to match	92-95	95-92-03
N.I.	Header panel, Exc. SHO	92-95	95-92-05
20	Front fender, Exc. SHO	92-95	*95-92-20
60	Rear bumper cover, fits Sedan only, Exc. SHO	92-95	*95-92-60
61	Rear bumper cover, fits Wagon only	92-95	*95-92-61
91	Headlamp assembly, 92-93 Taurus except SHO also fits 94-95 Taurus GL models	92-95	95-92-91
92	Side marker lamp assembly, Exc. SHO	92-95	95-92-92

GAS TANK

N.I.	Gas tank, 16 gallons	4/88-95	95-88-110
N.I.	Gas tank, 18.5 gallons	88-95	95-88-111
N.I.	Straps for 16 and 18.5 gallon tanks, set	88-95	95-88-115

**FORD TAURUS 96-07
MERCURY SABLE 96-05**



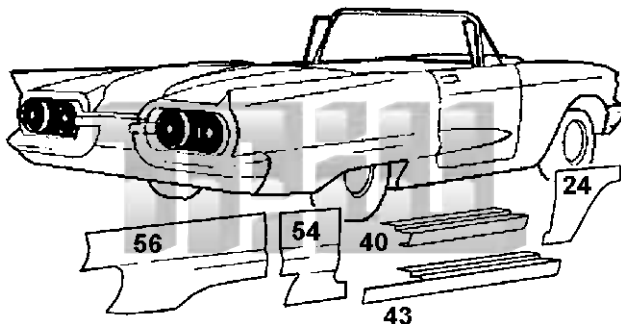
REPLACEMENT SHEETMETAL

Index#	Description	Year	Mill Part#
40	Full rocker panels	96-07	95-96-40
N.I.	Rear wheel arch upper (will fit 96-99 if modified)	00-07	95-00-51
N.I.	Dog leg, 4DR	96-07	95-96-55





FORD THUNDERBIRD 58-60



REPLACEMENT SHEETMETAL

Index#	Description	Year	Mill Part#
24	Front fender rear half, 25"H x 36"L	58-60	94-58-24
40	Rocker, universal	58-60	94-58-40
43	Rocker, 2DR with extension	58-60	94-58-43
54	Rear quarter lower front sec, 20"H x 33"L	58-60	94-58-54
56	Rear quarter lower rear sec 18"H x 65"L	58-60	94-58-56

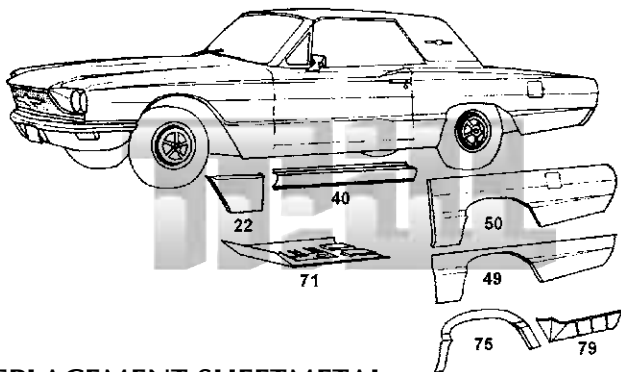
GAS TANK

N.I.	Gas tank, 20 gallon with drain plug	58-60	94-58-110
N.I.	Straps for Gas tank	58-60	94-58-115

WEATHERSTRIP

2-Door Molded Door Seals Hardtops & Convertibles, R & L	58-60	LM-15
Steel cores where needed, made of molded sponge		
Molded Roof Rail Seals, 6-Piece Set, R & L.	58-60	RR-3320
Beautifully detailed with molded ends and steel cores.		
Molded Trunk Seal Kit	58-60	TK-42-16

FORD THUNDERBIRD 64-66



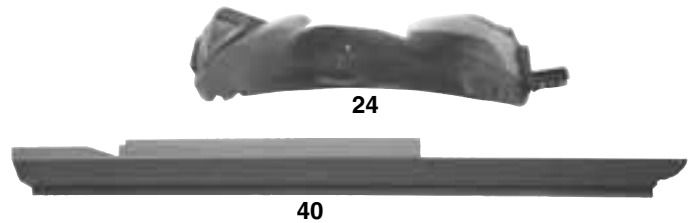
REPLACEMENT SHEETMETAL

Index#	Description	Year	Mill Part#
22	Front fender lower rear sec, 13"H	64-66	94-64-22
40	Rocker panel	64-66	94-64-40
49	Rear quarter lower half (measures approx. 3" above wheel)	64-66	94-64-49
50	Rear quarter, 2DR	64-66	*94-64-50
71	Front floor pan half sec	64-66	94-64-71
75	Outer rear wheelhouse	64-66	94-64-75
79	Rear quarter inner rear sec	64-66	94-64-79

GAS TANKS

N.I.	Gas tank, 16.5 gallon, with drain plug	1/64-3/27/64	94-64-110
N.I.	Gas tank, 16.5 gallon	3/27/64-66	94-64-111
N.I.	Straps for 16.5 gallon tank	64-66	94-64-115

FORD THUNDERBIRD 89-97



REPLACEMENT SHEETMETAL

Index#	Description	Year	Mill Part#
N.I.	Front fender, fits Cougar/T-Bird Std./LX	89-95	*72-89-20
N.I.	Front fender, fits T-Bird Super Coupe	89-95	*72-89-21
N.I.	Front fender, fits T-Bird & Cougar	96-97	*72-96-22
24	Front wheelhouse (splash shield)	89-95	72-89-24
N.I.	Lower doorskin, 2DR	89-97	72-89-31
40	Rocker panel, 2DR	89-97	72-89-40

FORD TORINO 66-71 SEE FORD FAIRLANE

FORD TORINO 72-76

REPLACEMENT SHEETMETAL

Index#	Description	Year	Mill Part#
N.I.	Rear quarter, 2DR, 26"H x 75"L	72-76	*96-72-50

FORD ESCORT 91-02

ALSO FITS: MERCURY TRACER

REPLACEMENT SHEETMETAL

Index#	Description	Year	Mill Part#
N.I.	Rocker, 2DR, 65"L (also fits Mercury Tracer)	91-96	95-91-40
N.I.	Rocker, 4DR (also fits Mercury Tracer)	91-96	95-91-42
N.I.	Rocker, 4DR, 64"L (also fits Mercury Tracer)	97-02	95-97-42

FORD TEMPO 84-91

ALSO FITS: MERCURY TOPAZ

REPLACEMENT SHEETMETAL

Index#	Description	Year	Mill Part#
N.I.	Rocker, 4DR	84-91	99-84-42

FORD CONTOUR 95-00

ALSO FITS: MERCURY MYSTIQUE

REPLACEMENT SHEETMETAL

Index#	Description	Year	Mill Part#
N.I.	Rocker panel, 4DR, 71.5"L	95-00	961-95-42

FORD CROWN VICTORIA 92-97

ALSO FITS: MERCURY GRAND MARQUIS

REPLACEMENT SHEETMETAL

Index#	Description	Year	Mill Part#
N.I.	Rocker panel, 4DR, 69"L	92-97	223-92-40

Specify LH (Drivers Side) or RH (Passenger Side) When Ordering.

All manufacturers' names, numbers, and descriptions are used for reference purposes only. It is not implied that any part listed is the product of the original manufacturers or approved by any of these manufacturers.

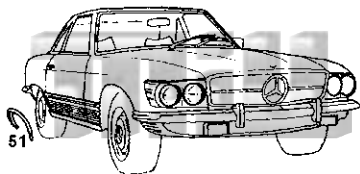


Bold Type - New Item • * - Too Large for UPS • N.I. - Not Illustrated
 800-888-5072 • Toll Free Fax 888-781-2700
 visit our web site: www.rustrepair.com





**MERCEDES 350SL/SLC, 380SL/SLC,
450SL/SLC, 560SL
CHASSIS TYPE 107 73-89**



REPLACEMENT SHEETMETAL

Index#	Description	Year	Mill Part#
51	Rear wheel arch, 2DR	73-89	267-71-51

DASH TOPS

DashTop covers fit right over existing dash, makes your dash look new again.



Description	Year	Mill Part #
DashTop, fits Mercedes, Chassis 107 w/o climate sensor	73-89	DT-705

**MERCEDES 300SD, 380SE/SEL, 500SEL 81-85
300, 350, 420, 560 SEL/SDL 86-91
CHASSIS TYPE 126**

REPLACEMENT SHEETMETAL

Index#	Description	Year	Mill Part#
N.I.	Fender, front	81-91	*264-81-20

**MERCEDES E-CLASS
Coupe/Sedan 86-95
Wagon 87-95
CHASSIS TYPE 124**

REPLACEMENT SHEETMETAL

Index#	Description	Year	Mill Part#
N.I.	Fender, front	86-95	*265-86-20
N.I.	Rocker panel, 4DR	86-95	265-86-42
N.I.	Rear wheel arch	86-95	265-86-54

**MERCEDES C-CLASS 94-00
CHASSIS TYPE 202**

REPLACEMENT SHEETMETAL

Index#	Description	Year	Mill Part#
N.I.	Radiator support upper tie bar	94-00	266-94-01
N.I.	Radiator support assembly (includes upper tie bar)	94-00	*266-94-02
N.I.	Crossmember support assembly	94-00	266-94-03
N.I.	Front fender	94-00	*266-94-20
N.I.	Rear wheel arch	94-00	266-94-51

**MERCEDES E-CLASS
Sedan & Wagon 96-02
CHASSIS TYPE 210**

REPLACEMENT SHEETMETAL

Index#	Description	Year	Mill Part#
N.I.	Rear wheel arch, 4 DR Sedan & Wagon	96-02	267-96-54

LINCOLN/MERCURY 49-56



921-49-40



921-49-42



921-49-50



92-52-40



92-52-42



92-52-52

REPLACEMENT SHEETMETAL

Index#	Description	Year	Mill Part#
40	Rocker panel, 2DR, fits Lincoln & Mercury	49-51	921-49-40
42	Rocker panel, 4DR, fits Lincoln & Mercury	49-51	921-49-42
N.I.	Rocker panel, 2DR, factory style, fits Lincoln & Mercury	49-51	921-49-43
50	Quarter panel, 2DR, 22"H x 81"L, fits Lincoln & Mercury	49-50	*921-49-50
40	Rocker panel, 2DR, fits Mercury	52-56	92-52-40
42	Rocker panel, 4DR, fits Mercury	52-56	92-52-42
52	Rear wheel arch, 2/4DR, fits Mercury, 9"H x 36"L	52-56	92-52-52

MERCURY 65-66

REPLACEMENT SHEETMETAL

Index#	Description	Year	Mill Part#
N.I.	Rocker panel, 2DR	65-66	96-66-40

MERCURY CAPRI 79-86



40

REPLACEMENT SHEETMETAL

Index#	Description	Year	Mill Part#
N.I.	Doorskin, outer lower 9"	79-86	200-79-31
40	Rocker panel, 2DR	79-86	200-79-40

MERCURY COMET 71-77

FORD MAVERICK 70-77



REPLACEMENT SHEETMETAL

Index#	Description	Year	Mill Part#
50	2DR Rear quarter, 32"Hx63"L (cut down to fit 4DR)	71-77	44-70-50

Specify LH (Drivers Side) or RH (Passenger Side) When Ordering.

All manufacturers' names, numbers, and descriptions are used for reference purposes only. It is not implied that any part listed is the product of the original manufacturers or approved by any of these manufacturers.

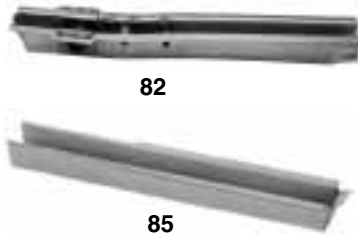
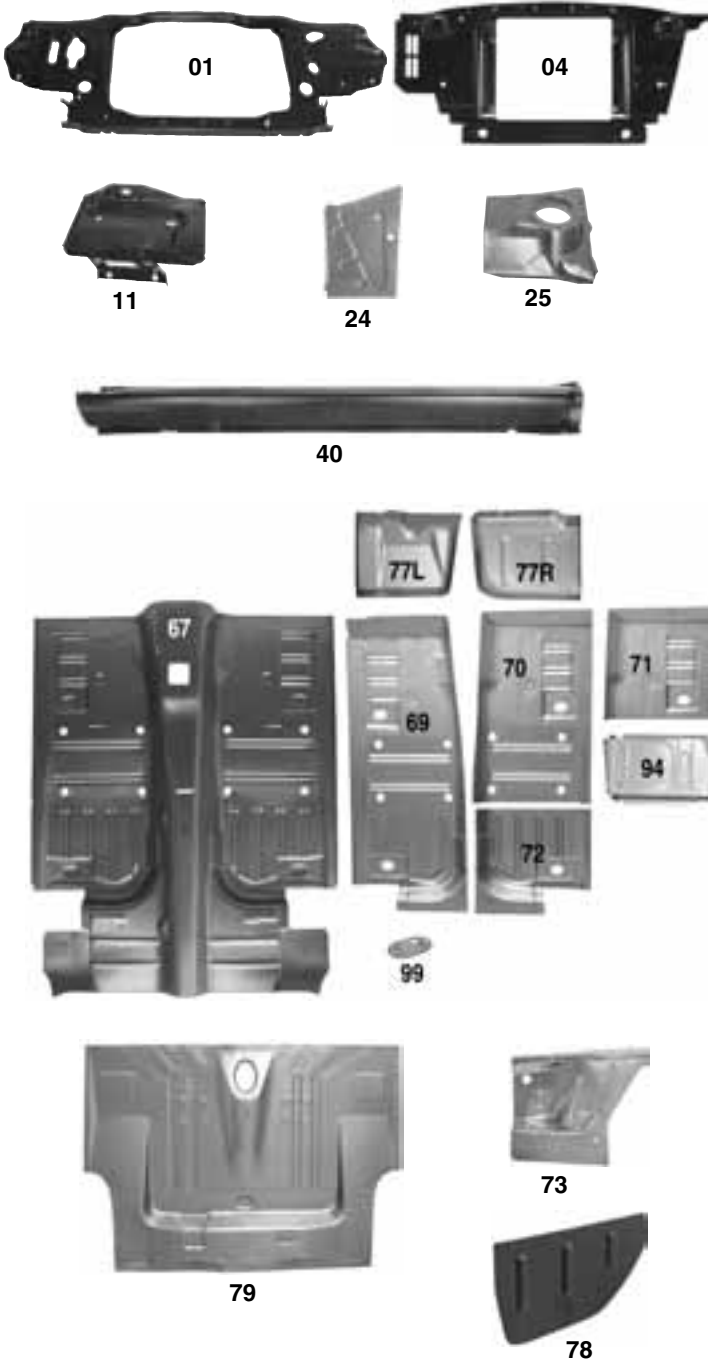
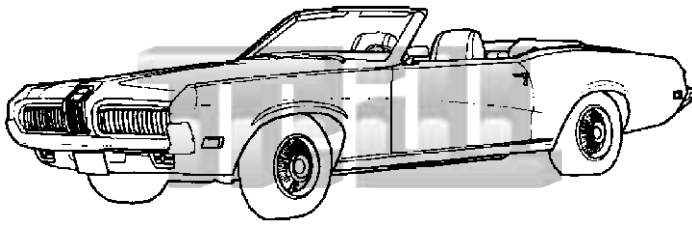


Bold Type - New Item • * - Too Large for UPS • N.I. - Not Illustrated
800-888-5072 • Toll Free Fax 888-781-2700
visit our web site: www.rustrepair.com





MERCURY COUGAR 67-73



REPLACEMENT SHEETMETAL

Index#	Description	Year	Mill Part#
01	Radiator support	71-73	*93-71-01
04	Radiator support	67-68	*93-64-04
11	Battery tray	67-70	93-67-11
N.I.	Battery hold down bracket	67-70	93-67-12
N.I.	Torque box, specify L or R	67-70	93-64-14B
N.I.	Front fender lower rear section	67-68	72-67-22
24	Cowl side panel	67-68	93-64-24
25	Partial inner cowl patch	67-68	93-64-25
40	Rocker panel	67-68	93-64-40
N.I.	Rocker panel	69-70	93-69-40
67	Full floor pan, complete, fits Convertible '67-'68 modify rocker area for '69-'73 models	67-68	*93-64-67
N.I.	Full floor pan, complete, fits Coupe '67-'68 modify rocker area for '69-'73 models	67-68	*93-64-68
69	Floor pan, complete half, up to center hump	67-70	*93-64-69
70	Front floor pan, long 21"W x 39"L	67-70	93-64-70
71	Front floor pan, short 21"W x 23"L	67-70	93-64-71
72	Rear floor pan, 21" x 21"	67-70	93-64-72
73	Fender apron, houses battery, RH only	67-68	93-64-73
77	Floor pan toeboard area, 18"H	67-70	93-64-77
78	Trunk filler, inner rear quarter lower rear section (trim to fit 71-73)	67-70	93-64-78
79	Trunk floor, 54" x 38", lengthen 5" to fit Cougar	71-73	*93-71-79
82	Rear frame rail rear section	67-70	93-64-82
85	Inner frame floor support, fits Coupe	67-68	93-64-85
94	Seat platform fits standard Hardtop	67-68	93-64-94
99	Drain hole coverlets	67-70	93-64-99

DASH TOPS



DashTop covers fit right over existing dash, makes your dash look new again.

Description	Year	Mill Part #
Fits Mercury Cougar	71-73	DT-423

Specify LH (Drivers Side) or RH (Passenger Side) When Ordering.





MERCURY COUGAR 89-97



24



40

REPLACEMENT SHEETMETAL

Index#	Description	Year	Mill Part#
N.I.	Front fender, fits Cougar/T-Bird Std./LX	89-95	*72-89-20
N.I.	Front fender, fits T-Bird & Cougar	96-97	*72-96-22
24	Front wheelhouse (splash shield)	89-95	72-89-24
N.I.	Lower doorskin, 2DR	89-97	72-89-31
40	Rocker panel, 2DR	89-97	72-89-40

MERCURY GRAND MARQUIS 92-97

ALSO FITS: FORD CROWN VICTORIA



40

REPLACEMENT SHEETMETAL

Index#	Description	Year	Mill Part#
40	Rocker panel, 4DR	92-97	223-92-40

OLDSMOBILE ACHIEVA 92-98



40

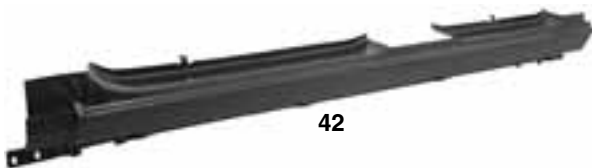


42

REPLACEMENT SHEETMETAL

Index#	Description	Year	Mill Part#
40	Rocker panel, 2DR	92-98	650-92-40
42	Rocker panel, 4DR	92-98	650-92-42

**OLDSMOBILE EIGHTY EIGHT, LSS, REGENCY 92-99
98 REGENCY FWD 91-96**



42

REPLACEMENT SHEETMETAL

Index#	Description	Year	Mill Part#
42	Rocker panel, 4DR	91-99	67-91-42

OLDSMOBILE 88/98 CUSTOM CRUISER, RWD 80-90

REPLACEMENT SHEETMETAL

Index#	Description	Year	Mill Part#
N.I.	Hood latch	78-88	50-73-13
N.I.	Rocker panel, 2DR	80-90	53-77-40
N.I.	Rocker panel, 4DR	80-90	53-77-42

OLDSMOBILE CUTLASS 64-67



40



42



51



57



67



70



77



78

REPLACEMENT SHEETMETAL

Index#	Description	Year	Mill Part#
N.I.	Dash top, metal	66-67	55-66-13
N.I.	Dash top reinforcement	66-67	55-66-14
N.I.	Front fender lower rear sec, 16"H	66-67	64-66-22
N.I.	Rocker, 2DR, factory style	64-67	55-64-39
40	Rocker, 2DR	64-67	55-64-40
42	Rocker, 4DR	64-67	55-64-42
N.I.	Rocker panel w/extension, 2DR	66-67	55-64-43
51	Rear wheel arch	66-67	64-66-51
57	Rear quarter lower rear section	66-67	64-66-57
N.I.	Panel behind rear window to trunk, 2DR	66-67	64-66-65
67	Inner rear wheelhouse	64-67	55-64-67
70	Floor pan half, 70"Lx30"W, L or R	64-67	*55-64-70
N.I.	Front floor pan, 31"L x 28"W, L or R	64-67	55-64-71
N.I.	Rear floor pan, 31"L x 30"W, L or R	64-67	55-64-72
N.I.	Floor pan under rear seat, 30L x 25"W, L or R	64-67	55-64-72A
N.I.	Trunk floor center, 45"L x 21"W	64-67	66-64-73
N.I.	Trunk floor side, 45"L x 23"W	64-67	66-64-74
N.I.	Trunk floor brace	64-67	55-64-75
N.I.	Floor to firewall panel extension	64-67	55-64-76
77	Front floor brace, rocker to rocker	64-67	55-64-77
78	Middle floor brace, rocker to rocker	64-67	55-64-78
N.I.	Rear floor brace, rocker to rocker	64-67	55-64-79
N.I.	Front floor brace, partial outer section, L or R	64-67	55-64-83
N.I.	Middle floor brace, partial outer section, L or R	64-67	55-64-84
N.I.	Trunk filler, inner lower rear quarter section	64-65	55-64-80
N.I.	Trunk filler, inner lower rear quarter section	66-67	55-66-80
N.I.	Trunk floor complete	64-67	*64-66-91

WINDOW CRANK

Window crank handle w/black knob, universal	53-58-380
Window crank handle w/clear knob, universal	53-58-383

GAS TANKS

N.I. Gas tank, exc station wagon	66-67	68-64-110
----------------------------------	-------	-----------

Specify LH (Drivers Side) or RH (Passenger Side) When Ordering.

All manufacturers' names, numbers, and descriptions are used for reference purposes only. It is not implied that any part listed is the product of the original manufacturers or approved by any of these manufacturers.

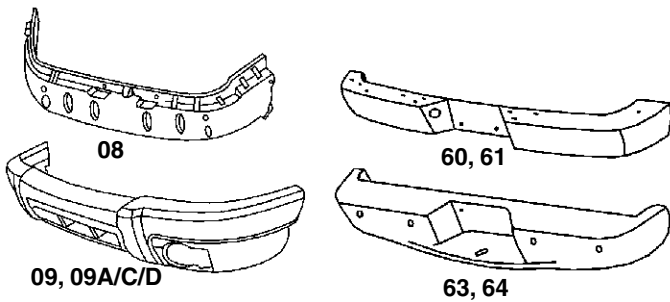


Bold Type - New Item • * - Too Large for UPS • N.I. - Not Illustrated
800-888-5072 • Toll Free Fax 888-781-2700
visit our web site: www.rustrepair.com



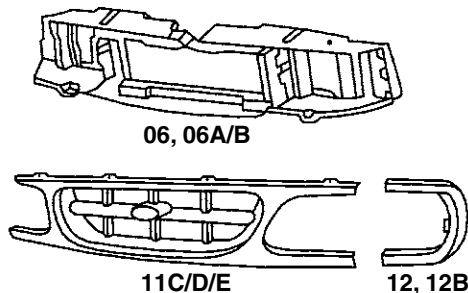


FORD EXPLORER 95-01
MERCURY MOUNTAINEER 97-01



REPLACEMENT BUMPERS

Index#	Description	Year	Mill Part#
N.I.	Front bumper bracket, w/o limited (& 97 Mountaineer)	95-98	97-95-07
N.I.	Front bumper bracket, Explorer (& 98-01 Mountaineer)	99-01	97-99-07
08	Front bumper reinforcement, Explorer	99-01	97-95-08
N.I.	Front bumper reinforcement, Limited package	95-01	97-95-08A
09	Front bumper cover, except Limited	95-98	97-95-09
09A	Front bumper cover, Limited package	95-98	97-95-09A
09C	Front bumper cover, w/o chrome inserts, Explorer	99-01	97-99-09C
09D	Front bumper cover, w/chrome inserts (not included)	99-01	97-99-09D
60	Rear face bar, black, Explorer Sport/LE, paint to match	95-97	97-95-60
61	Rear face bar, chrome, Explor, XL, XLT, Eddie Bauer	95-97	97-95-61
63	Rear face bar, chrome, w/o rear object sensor, Explorer	98-01	97-98-63
64	Rear face bar, black, w/o rear object sensor, Explorer	98-01	97-98-64



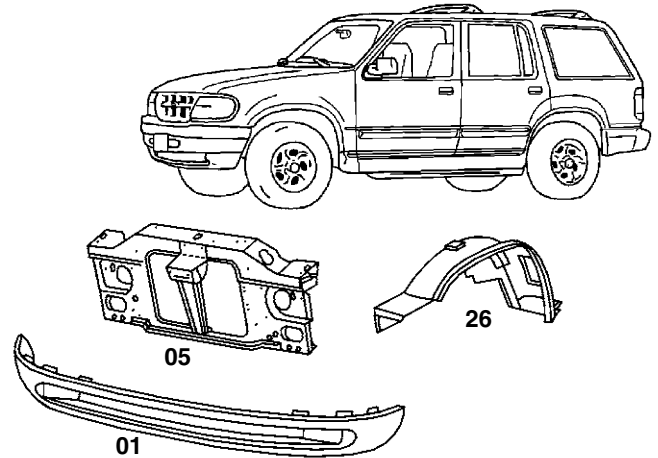
REPLACEMENT GRILLES

Index#	Description	Year	Mill Part#
06	Grille opening panel, 95-96 Explorer & 97 Mountaineer		97-95-06
06A	Grille opening panel, Ford Explorer	97-01	97-97-06A
06B	Grille opening panel, Merc. Mountaineer	98-01	97-98-06B
N.I.	Grille, chrome/black, w/extensions, Explorer	95-01	97-95-11
N.I.	Grille, w/extensions, paint to match, Explorer	95-01	97-95-11B
11C	Grille, chrome/silver, w/o extensions Explorer XL/XLT/Eddie Bauer	95-97	97-95-11C
11D	Grille, w/o extensions, paint to match Explorer Sport, Expedition	95-97	97-95-11D
11E	Grille, w/o extensions, paint to match, Explorer, Limited	95-97	97-95-11E
12	Grille extensions, chrome, L or R, Explorer	95-97	97-95-12
12B	Grille extensions, paint to match, L or R, Explorer	95-97	97-95-12B

WEATHERSTRIP

Index#	Description	Year	Mill Part#
N.I.	Belt weatherstrip, 2DR, inner/outer L & R, 4pc kit	91-01	97-91-212
N.I.	Belt weatherstrip, 4DR front, inner/outer L&R, 4pc kit	91-01	97-91-214
N.I.	Belt weatherstrip, 4DR rear, inner/outer L&R, 4pc kit	91-01	97-91-216

Specify LH (Drivers Side) or RH (Passenger Side) when ordering

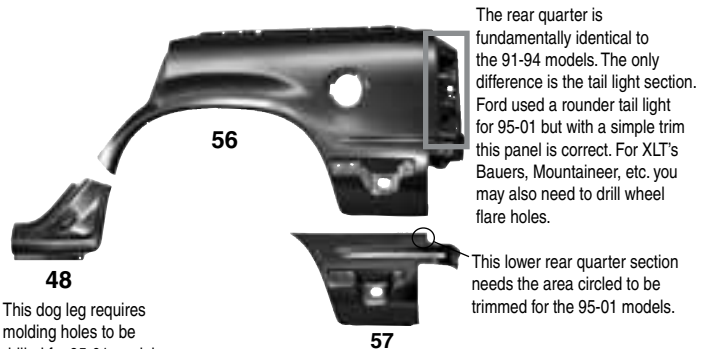
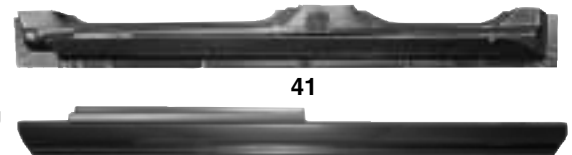


REPLACEMENT FRONT END PARTS

Index#	Description	Year	Mill Part#
N.I.	License plate bracket, that fits Explorer	95-98	97-95-00
01	Lower valance, black, w/o fog lamps, that fits Explorer	95-98	97-95-01
N.I.	Lower valance, black, w/fog lamps, that fits Explorer	95-98	97-95-02
N.I.	Lower valance, Graphite, w/fog lamps, that fits Explorer	95-98	97-95-03
N.I.	Fan Shroud, w/V-8	95-01	97-95-04
N.I.	Fan Shroud, w/V6 SOHC engine	97-01	97-97-04A
05	Radiator support	95-01	97-95-05
N.I.	Front fender w/wheel opening moulding holes, that fits Explorer except Eddie Bauer pkg.	95-98	*97-95-20
N.I.	Front fender, w/wheel opening flare holes that fits Explorer with Eddie Bauer pkg. & Mountaineer	95-01	*97-95-21
N.I.	Front fender without wheel opening mldg holes that fits Explorer & Mountaineer	95-01	*97-95-22
26	Front inner wheelhouse	95-01	*97-95-26

All the repair panels listed below were originally made for the 1991-94 Explorer but can be used for the 95-01 models with minor modifications.

Our rockers were designed for 91-94 models. The primary difference for 95-01 is the lack of molding holes.



This dog leg requires molding holes to be drilled for 95-01 models.

The rear quarter is fundamentally identical to the 91-94 models. The only difference is the tail light section. Ford used a rounder tail light for 95-01 but with a simple trim this panel is correct. For XLT's Bauers, Mountaineer, etc. you may also need to drill wheel flare holes.

This lower rear quarter section needs the area circled to be trimmed for the 95-01 models.

REPLACEMENT CAB & CARGO AREA PANELS

Index#	Description	Year	Mill Part#
41	Rocker, 4 DR factory type, molding holes must be drilled for 91-01 95-01 models (rear portion of rocker fits behind dog leg)	91-01	97-91-41
42	Rocker, 4DR, does not curve up post, trim to fit 2DR Molding holes must be drilled for 95-01 models	91-01	97-91-42
48	Dog leg, 4DR, 13"H (panel between door & rear wheel) Molding holes must be drilled for 95-01 models	91-01	97-91-48
56	Rear quarter, 4 DR, includes upper sec. of dog leg Tail lamp area must be trimmed for 95-01 models. If there are wheel flares, holes will need to be drilled	91-01	*97-91-56
57	Rear quarter, lower rear section. Requires slight trim	91-01	97-91-57

