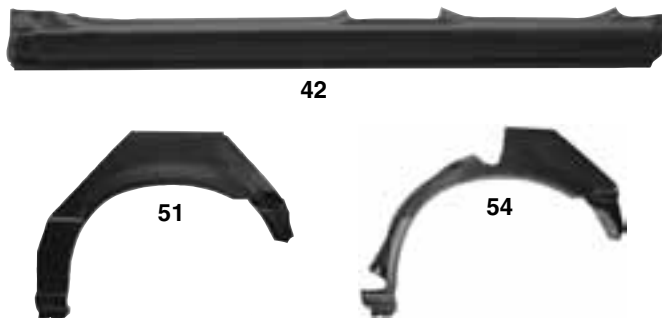




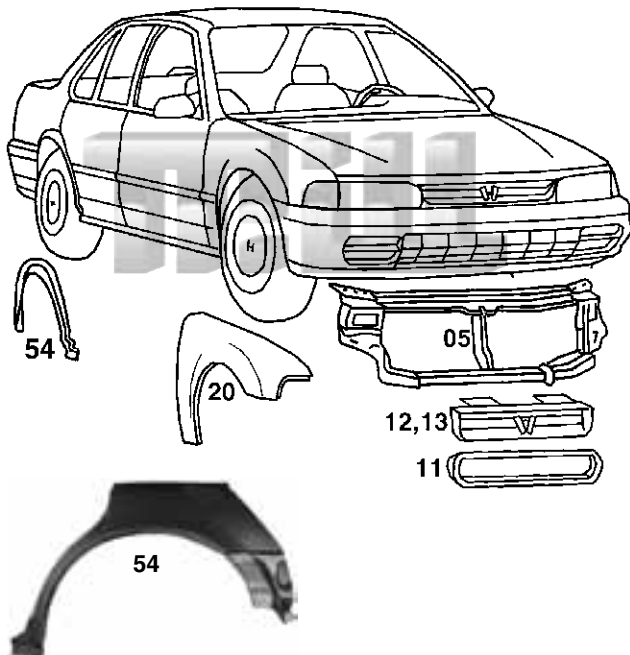
**HONDA ACCORD 86-89**



**REPLACEMENT SHEETMETAL**

Index#	Description	Year	Mill Part#
N.I.	Front fender	86-89	213-86-20
42	Rocker panel, 4DR	86-89	213-86-42
51	Rear wheel arch area, 2DR	86-89	213-86-51
54	Rear wheel arch area, 4DR	86-89	213-86-54

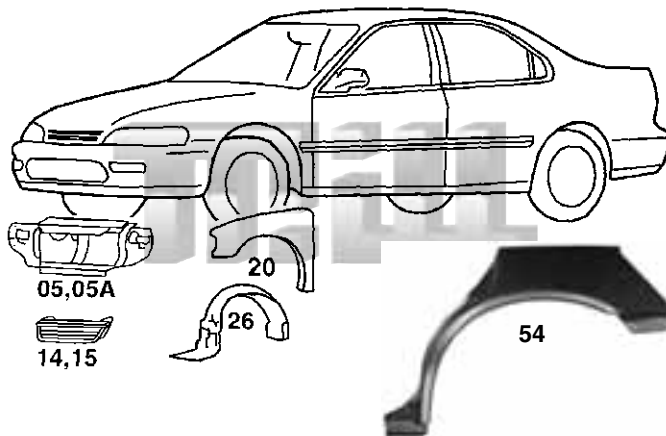
**HONDA ACCORD 90-93  
COUPE / SEDAN / WAGON**



**REPLACEMENT SHEETMETAL**

Index#	Description	Year	Mill Part#
05	Radiator support assembly	90-93	*211-90-05
11	Grille moulding, chrome	90-91	211-90-11
12	Grille, black	90-91	211-90-12
13	Grille assembly, chrome/black w/mouldings	92-93	211-92-13
20	Front fender	90-93	211-90-20
54	Rear wheel arch, 4DR	90-93	211-90-54

**HONDA ACCORD 94-97**



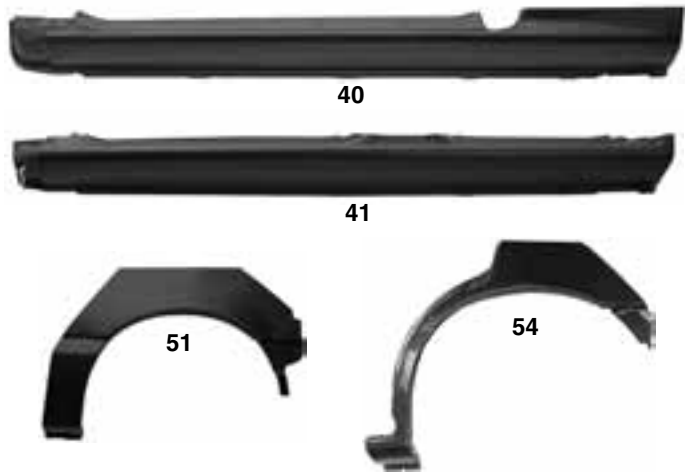
**REPLACEMENT SHEETMETAL**

Index#	Description	Year	Mill Part#
05	Radiator support assembly, 4 cylinder only	94-97	*211-94-05
05A	Radiator support assembly, 6 cylinder only	94-97	*211-94-05A
14	Grille chrome/black w/moulding, V-6 only	94-95	211-94-14
15	Grille, mat Black w/moulding, 4 cylinder	96-97	211-96-15
20	Front fender, 4 cylinder only	94-97	211-94-20
26	Fender liner	94-97	211-94-26
54	Rear wheel arch, 4DR sedan	94-97	211-94-54

Specify LH (Drivers Side) or RH (Passenger Side) When Ordering.



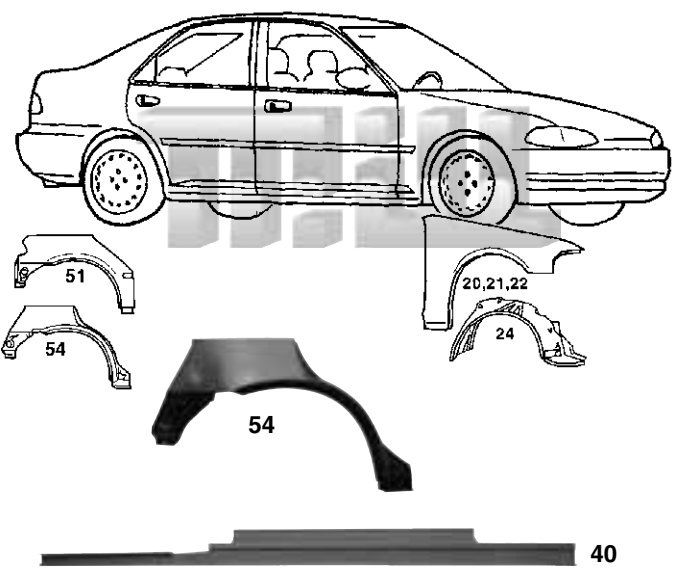
**HONDA CIVIC 88-91**



**REPLACEMENT SHEETMETAL**

Index#	Description	Year	Mill Part#
N.I.	Front fender, Hatchback	88-91	212-88-20
N.I.	Front fender, Sedan	88-91	212-88-21
40	Rocker panel, 2DR Hatchback, 69-1/2" overall length	88-91	212-88-40
41	Rocker panel, 4DR Sedan, 66" to front fender, 68" overall	88-91	212-88-41
51	Rear wheel arch area, Hatchback, 2DR	88-91	212-88-51
54	Rear wheel arch area, Sedan, 4DR	88-91	212-88-54

**HONDA CIVIC 92-95**



**REPLACEMENT SHEETMETAL**

Index#	Description	Year	Mill Part#
20	Front fender, fits Sedan only w/moulding holes	92-95	212-92-20
21	Front fender, fits Hatchback/Coupe/Sedan w/o mldg. holes	92-95	212-92-21
22	Front fender, fits Hatchback/Coupe only w/mldg holes	92-95	212-92-22
24	Fender liner, front, fits Civic only, L or R	92-95	212-92-24
40	Rocker, 2DR Hatchback/Coupe	92-95	212-92-40
N.I.	Rocker, 4DR Sedan	92-95	212-92-42
N.I.	Rocker panel, 4DR Sedan, factory style	92-95	212-92-43
51	Rear wheel arch, extends back to bumper, fits 2DR Hatchback, alter at rear for 2DR Coupe	92-95	212-92-51
54	Rear wheel arch, 4DR	92-95	212-92-54

**HONDA CIVIC 96-00**



**REPLACEMENT SHEETMETAL**

Index#	Description	Year	Mill Part#
51	Rear wheel arch, 3DR Hatchback	96-01	212-96-51
N.I.	Rear wheel arch, 4DR Sedan	96-00	212-96-54

**HONDA CRX 85-91**



**REPLACEMENT SHEETMETAL**

Index#	Description	Year	Mill Part#
N.I.	Header panel	85-87	215-85-02
N.I.	Front bumper reinforcement, DX/SI	88-89	215-88-08
N.I.	Front bumper reinforcement, HF	88-89	215-88-09
N.I.	Front bumper reinforcement, DX/SI	90-91	215-90-08
N.I.	Front bumper cover	88-89	*215-88-14
N.I.	Front bumper cover	90-91	*215-90-15
N.I.	Front fender	88-91	*215-88-20
51	Rear wheel arch	88-91	212-88-51

Specify LH (Drivers Side) or RH (Passenger Side) When Ordering.

All manufacturers' names, numbers, and descriptions are used for reference purposes only. It is not implied that any part listed is the product of the original manufacturers or approved by any of these manufacturers.

