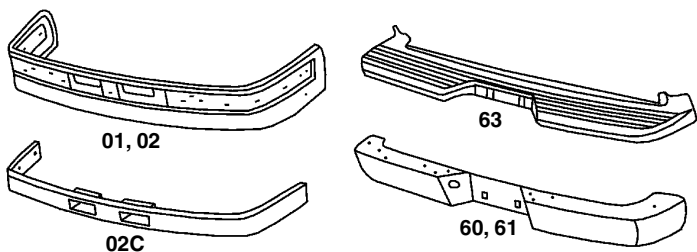




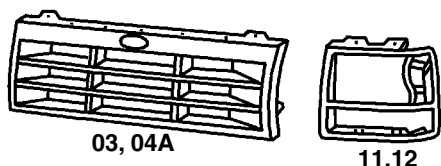
FORD EXPLORER

91-94



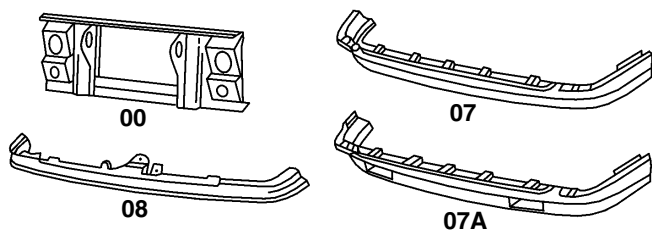
REPLACEMENT BUMPERS

Index#	Description	Year	Mill Part#
01	Front face bar, chrome w/pad holes	91-94	96-90-01
02	Front face bar, black w/pad holes	91-94	96-90-02
02C	Front face bar horizontal pad, black	91-94	96-89-02C
60	Rear bumper, black, paint to match	92-94	97-92-60
61	Rear bumper, chrome	92-94	97-92-61
63	Rear bumper top pad, dark gray	91-94	97-92-63



REPLACEMENT GRILLES

Index#	Description	Year	Mill Part#
03	Grille, chrome/silver	91-94	96-91-03
04A	Grille, black	91-94	96-89-04A
11	Headlight door, chrome/black/silver, w/o Limited pkg.	91-94	96-89-11
12	Headlight door, black, w/o Limited pkg.	91-94	96-89-12



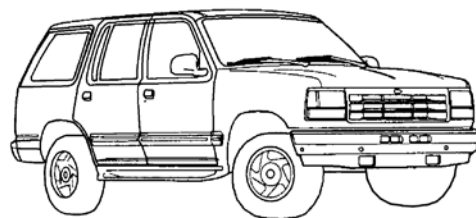
REPLACEMENT FRONT END PARTS

Index#	Description	Year	Mill Part#
00	Radiator support	91-94	96-89-00
07	Front valance, w/o fog lamps, paint to match	91-94	96-89-07
07A	Front valance, w/ fog lamps, paint to match	91-94	96-89-07A
08	Upper filler panel, stone deflector Exc. GT	91-94	96-89-08
N.I.	Fender, 4DR, without wheel opening mldg. holes	91-92	*97-91-20
N.I.	Fender, 4DR, with wheel opening mldg. holes	93-94	*97-93-20

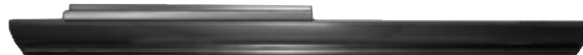
Prompt Service

Most orders called in before 3 p.m. E.S.T. are shipped the same day. We ship by U.P.S., Fedex Ground, U.S.P.S., Common Carrier Freight or any other method you prefer.

Specify LH (Drivers Side) or RH (Passenger Side) when ordering



41



42



56

48



57

REPLACEMENT CAB & CARGO AREA PANELS

Index#	Description	Year	Mill Part#
41	Rocker, 4 DR factory type, curves up post slightly in front (rear portion of rocker fits behind dog leg)	91-94	97-91-41
42	Rocker, 4DR, does not curve up post	91-94	97-91-42
48	Dog leg, 4DR, 13"H (panel between door & rear wheel)	91-01	97-91-48
56	Rear quarter, 4 DR, includes upper sec. of dog leg	91-94	*97-91-56
57	Rear quarter, lower rear section	91-94	97-91-57

LAMPS

Index#	Description	Year	Part No.
N.I.	Tail lamp, LH	91-94	97-91-371
N.I.	Tail lamp, RH	91-94	97-91-372
N.I.	Side Marker, Amber LH	91-94	97-91-373
N.I.	Side Marker, Amber RH	91-94	97-91-374
N.I.	Front Park and Turn Lamp, Amber, LH	91-94	97-91-379
N.I.	Front Park and Turn Lamp, Amber, RH	91-94	97-91-380

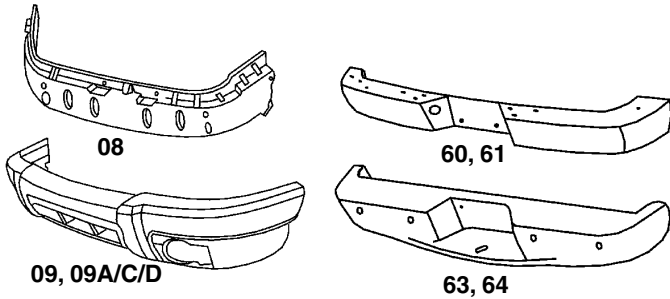
WEATHERSTRIP

Index#	Description	Year	Part No.
N.I.	Front door weatherstrip, 4DR, fits LH or RH door	91-94	97-91-201
N.I.	Rear door weatherstrip, 4DR, fits LH or RH door	91-94	97-91-203
N.I.	Front door weatherstrip, 2DR, fits LH or RH door	91-94	97-91-205
N.I.	Belt weatherstrip, 2DR, inner/outer L & R, 4pc kit	91-01	97-91-212
N.I.	Belt weatherstrip, 4DR front, inner/outer L&R, 4pc kit	91-01	97-91-214
N.I.	Belt weatherstrip, 4DR rear, inner/outer L&R, 4pc kit	91-01	97-91-216



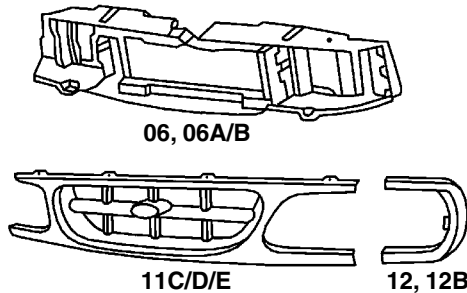


FORD EXPLORER 95-01
MERCURY MOUNTAINEER 97-01



REPLACEMENT BUMPERS

Index#	Description	Year	Mill Part#
N.I.	Front bumper bracket, w/o limited (& 97 Mountaineer)	95-98	97-95-07
N.I.	Front bumper bracket, Explorer (& 98-01 Mountaineer)	99-01	97-99-07
08	Front bumper reinforcement, Explorer	99-01	97-95-08
N.I.	Front bumper reinforcement, Limited package	95-01	97-95-08A
09	Front bumper cover, except Limited	95-98	97-95-09
09A	Front bumper cover, Limited package	95-98	97-95-09A
09C	Front bumper cover, w/o chrome inserts, Explorer	99-01	97-99-09C
09D	Front bumper cover, w/chrome inserts (not included)	99-01	97-99-09D
60	Rear face bar, black, Explorer Sport/LE, paint to match	95-97	97-95-60
61	Rear face bar, chrome, Explor, XL, XLT, Eddie Bauer	95-97	97-95-61
63	Rear face bar, chrome, w/o rear object sensor, Explorer	98-01	97-98-63
64	Rear face bar, black, w/o rear object sensor, Explorer	98-01	97-98-64



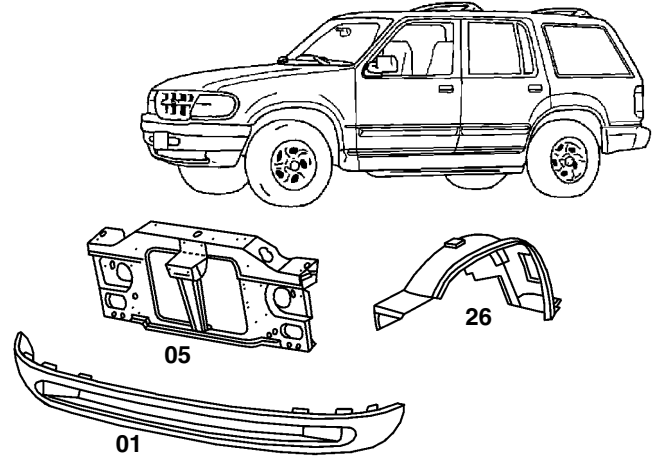
REPLACEMENT GRILLES

Index#	Description	Year	Mill Part#
06	Grille opening panel, 95-96 Explorer & 97 Mountaineer		97-95-06
06A	Grille opening panel, Ford Explorer	97-01	97-97-06A
06B	Grille opening panel, Merc. Mountaineer	98-01	97-98-06B
N.I.	Grille, chrome/black, w/extensions, Explorer	95-01	97-95-11
N.I.	Grille, w/extensions, paint to match, Explorer	95-01	97-95-11B
11C	Grille, chrome/silver, w/o extensions Explorer XL/XLT/Eddie Bauer	95-97	97-95-11C
11D	Grille, w/o extensions, paint to match Explorer Sport, Expedition	95-97	97-95-11D
11E	Grille, w/o extensions, paint to match, Explorer, Limited	95-97	97-95-11E
12	Grille extensions, chrome, L or R, Explorer	95-97	97-95-12
12B	Grille extensions, paint to match, L or R, Explorer	95-97	97-95-12B

WEATHERSTRIP

Index#	Description	Year	Mill Part#
N.I.	Belt weatherstrip, 2DR, inner/outer L & R, 4pc kit	91-01	97-91-212
N.I.	Belt weatherstrip, 4DR front, inner/outer L&R, 4pc kit	91-01	97-91-214
N.I.	Belt weatherstrip, 4DR rear, inner/outer L&R, 4pc kit	91-01	97-91-216

Specify LH (Drivers Side) or RH (Passenger Side) when ordering

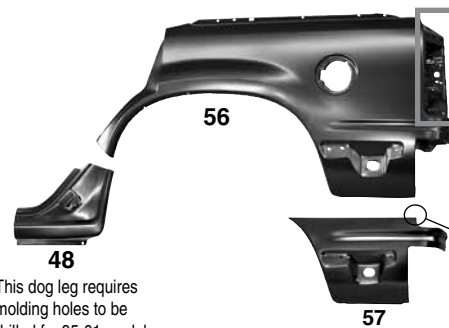


REPLACEMENT FRONT END PARTS

Index#	Description	Year	Mill Part#
N.I.	License plate bracket, that fits Explorer	95-98	97-95-00
01	Lower valance, black, w/o fog lamps, that fits Explorer	95-98	97-95-01
N.I.	Lower valance, black, w/fog lamps, that fits Explorer	95-98	97-95-02
N.I.	Lower valance, Graphite, w/fog lamps, that fits Explorer	95-98	97-95-03
N.I.	Fan Shroud, w/V-8	95-01	97-95-04
N.I.	Fan Shroud, w/V6 SOHC engine	97-01	97-97-04A
05	Radiator support	95-01	97-95-05
N.I.	Front fender w/wheel opening moulding holes, that fits Explorer except Eddie Bauer pkg.	95-98	*97-95-20
N.I.	Front fender, w/wheel opening flare holes that fits Explorer with Eddie Bauer pkg. & Mountaineer	95-01	*97-95-21
N.I.	Front fender without wheel opening mldg holes that fits Explorer & Mountaineer	95-01	*97-95-22
26	Front inner wheelhouse	95-01	*97-95-26

All the repair panels listed below were originally made for the 1991-94 Explorer but can be used for the 95-01 models with minor modifications.

Our rockers were designed for 91-94 models. The primary difference for 95-01 is the lack of molding holes.



The rear quarter is fundamentally identical to the 91-94 models. The only difference is the tail light section. Ford used a rounder tail light for 95-01 but with a simple trim this panel is correct. For XLT's Bauers, Mountaineer, etc. you may also need to drill wheel flare holes.

This lower rear quarter section needs the area circled to be trimmed for the 95-01 models.

REPLACEMENT CAB & CARGO AREA PANELS

Index#	Description	Year	Mill Part#
41	Rocker, 4 DR factory type, molding holes must be drilled for 91-01 95-01 models (rear portion of rocker fits behind dog leg)	91-01	97-91-41
42	Rocker, 4DR, does not curve up post, trim to fit 2DR Molding holes must be drilled for 95-01 models	91-01	97-91-42
48	Dog leg, 4DR, 13"H (panel between door & rear wheel) Molding holes must be drilled for 95-01 models	91-01	97-91-48
56	Rear quarter, 4 DR, includes upper sec. of dog leg Tail lamp area must be trimmed for 95-01 models. If there are wheel flares, holes will need to be drilled	91-01	*97-91-56
57	Rear quarter, lower rear section. Requires slight trim	91-01	97-91-57

