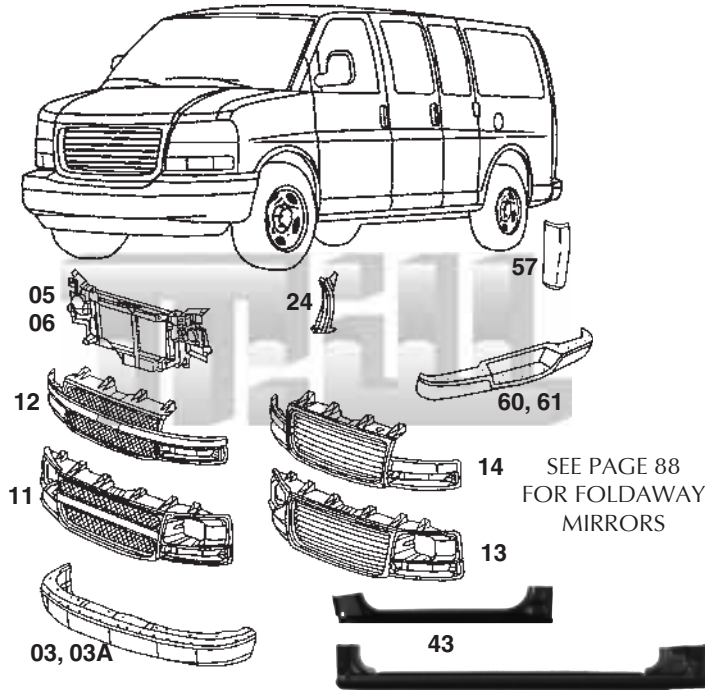




CHEV/GMC VAN 03-08

CHEVROLET EXPRESS/GMC SAVANA VAN



REPLACEMENT BODY PANELS

Index#	Description	Year	Mill Part#
03	Front face bar, chrome	03-08	51-03-03
03A	Front face bar, paint to match	03-08	51-03-03A
05	Radiator support assy for sealed beam headlamps	03-08	51-03-05
06	Radiator support assy for composite headlamps	03-08	51-03-06
11	Grille, Dark Gray, Chevy only w/sealed beam headlamps	03-08	51-03-11
12	Grille, Chrome/Dark Gray, Chevy w/composite headlamp	03-08	51-03-12
13	Grille, Black, GMC only, w/sealed beam headlamps	03-08	51-03-13
14	Grille, Chrome/Black, GMC only, w/composite headlamps	03-08	51-03-14
24	Lower rear front fender extension, L or R	03-08	51-03-24
40	Rocker panel, full, sliding door	96-08	51-96-40
43	Rocker panel, full, front door	96-08	51-96-43
57	Rear outer corner panel, 29"H	96-08	51-96-57
60	Rear step bumper, chrome	96-08	*51-96-60
61	Rear step bumper, painted	96-08	*51-96-61
N.I.	(1) Quick ChangeDoor Hinge w/(2) 98-763 kits Hinged Side Cargo doors	96-08	98-760
N.I.	Pin & Bushing Kit for side cargo doors Inc: (1)Greasable S.S. Pin & (2) brass bushings (one kit per hinge)	96-08	98-763

DODGE PICK-UP 56-71



REPLACEMENT BODY PANELS

Index#	Description	Year	Mill Part#
40	Rocker with step plate	56-71	80-56-40

FLOOR MATS

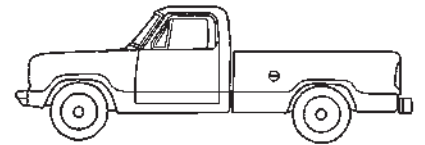
Heavy duty rubber floor mat	61-71	80-61-101
Jute padding for under cab mats, 3' x 6' x 3/8" thick		M-1631

WEATHERSTRIP

Belt weatherstrip kit, inner/outer L & R side, 4 pcs.	61-71	80-61-215
Window channel set, for one door, upper & div. bar	61-71	80-61-216
Window channel set, for both doors, upper & div. bar	61-71	80-61-217
Belt weatherstrp. & window chnl. kit, 8 pcs, upper & div. bar	61-71	80-61-220
Door seal set, 2 pcs	61-71	80-61-222

Specify LH (Drivers Side) or RH (Passenger Side) when ordering

DODGE PICK-UP, RAMCHARGER 72-80



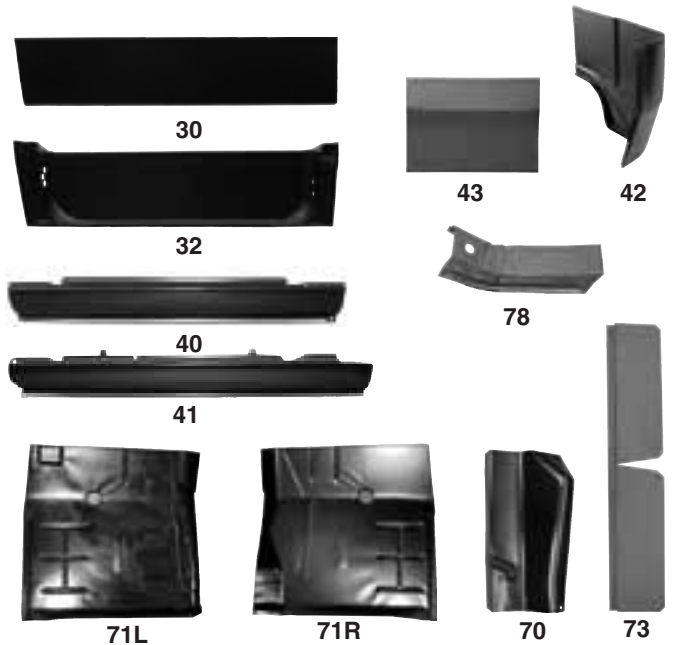
REPLACEMENT BUMPERS

Index#	Description	Year	Mill Part#
N.I.	Front bumper, chrome w/o pad	72-82	80-72-01
N.I.	Step bumper, diamond plate, silver	72-80	50-73-64



REPLACEMENT FRONT END PANELS

Index#	Description	Year	Mill Part#
20	Fender	72-80	*80-72-20
21	Front fender lower rear sec, 15"H	72-80	80-72-21



REPLACEMENT CAB PANELS

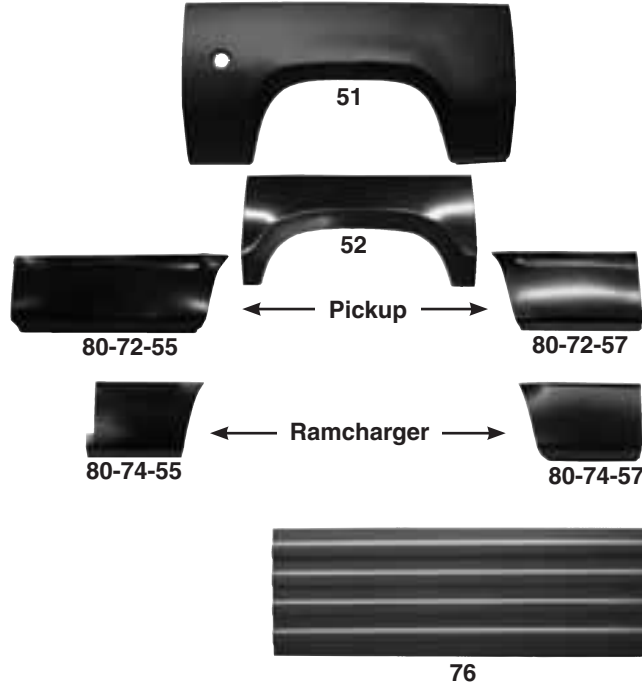
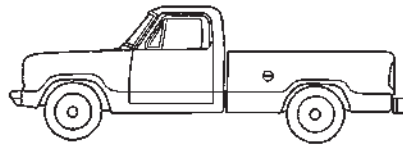
Index#	Description	Year	Mill Part#
30	Doorskin, lower outer, 9"H	72-93	80-72-30
32	Inner door bottom, approx. 12"H	72-93	80-72-32
40	Rocker, slip over style	72-93	80-72-40
41	Rocker (factory type) PU only, w/partial cab corner	72-93	80-72-41
42	Cab corner, 11"H, pickup only	72-93	80-72-42
43	Cab corner extension, Club cab PU only	72-93	80-72-43
70	Rear floor pan, cab, outer sec, 20"L x 10"W	72-87	80-72-70
71	Cab Front floor pan half 29" x 29" - modify for 4WD	72-93	80-72-71
73	Front cab floor, rear outer section, hand formed, 32"x6"	72-93	80-72-73
N.I.	Front cab support	72-80	80-72-77
78	Rear cab support	72-80	80-72-78

CONTINUED ON NEXT PAGE





DODGE PICK-UP, RAMCHARGER 72-80



REPLACEMENT BED PANELS

Index#	Description	Year	Mill Part#
51	Rear wheel arch, complete, 63"L x 34"H	72-80	*80-72-51
52	Rear wheel arch, upper only, 41L x 20"H	72-80	80-72-52
55	Rear quarter lower front, 43"L x 16"H, Pickup	72-80	80-72-55
55	Rear quarter lower front, 22"L x 16"H, Ramcharger	74-80	80-74-55
57	Rear quarter lower rear, 27"L x 14.5"H, PU w/8' Bed	72-80	80-72-57
57	Rear quarter lower rear, 22"L x 16"H, Ramcharger Does not include corner	74-80	80-74-57
76	Bed floor section, 48"L x 16"W	72-80	80-72-76

TAIL LAMP LENSES

Description	Year	Mill Part#
Tail lamp, Pickup, Ramcharger & Trailduster LH	72-80	G-4700
Tail lamp, Pickup, Ramcharger & Trailduster RH	72-80	G-4701



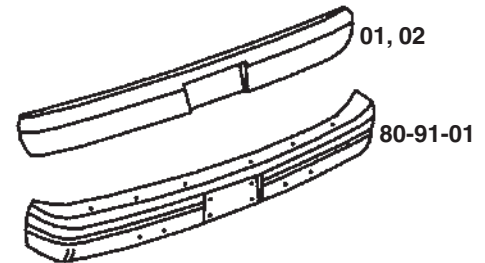
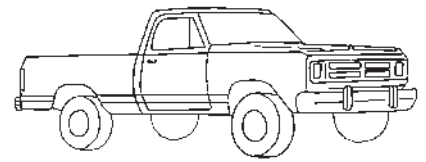
FLOOR MATS - PICKUP ONLY

Description	Year	Mill Part#
Floor mat, Small transmission mat 1/2-3Ton, PU only	72-80	80-72-101
Floor mat, Large transmission mat 1/2-3Ton, PU only	72-80	80-72-102
Jute padding for under cab mats, 3' x 6' x 3/8" thick		M-1631

WEATHERSTRIP

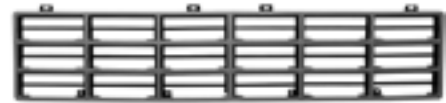
Description	Year	Mill Part#
Door Weatherstrip, fits LH or RH	78-93	80-78-90
Belt weatherstrip, inner or outer, LH or RH, 1 pc	72-80	80-72-91
Window channel weatherstrip, universal	74-93	80-74-96
Window channel weatherstrip, division bar run, universal	72-93	80-74-97
Belt Weatherstrip Set, Inner and Outer both sides, 4 pcs	72-79	80-74-215
Window Channel Kit and Upper Run and Division, 4pcs	73-93	80-74-216
Window Channel and Belt Weatherstrip Kit, 8 pcs	72-93	80-74-220

DODGE PICK-UP, RAMCHARGER 81-93



REPLACEMENT BUMPERS

Index#	Description	Year	Mill Part#
01	Front bumper, chrome w/o pad	72-82	80-72-01
01	Front bumper, chrome w/o pad	83-85	80-83-01
01	Front bumper, w/strip holes	91-93	80-91-01
01	Front bumper, painted, w/o winch holes	86-93	80-86-01
02	Front bumper, chrome, w/o pad	86-93	80-86-02
N.I.	Step bumper, diamond plate, silver	72-87	50-73-64



80-86-03

REPLACEMENT GRILLES

Index#	Description	Year	Mill Part#
N.I.	Grille, chrome/argent	81-85	80-81-02
03	Grille, argent	86-90	80-86-03
N.I.	Grille, chrome/argent	86-90	80-86-04
N.I.	Grille, upper insert, black (L or R)	91-93	80-91-03
N.I.	Grille, lower insert, black (L or R)	91-93	80-91-04
N.I.	Headlight door, argent/black, single rect. H/L	86-90	80-86-05
N.I.	Headlight door, chr/black, single rect. H/L	86-90	80-86-06
N.I.	Headlight door, chrome, single rect. H/L	92-93	80-92-06C
N.I.	Grille frame, aluminum	81-85	80-81-08
N.I.	Grille frame, silver/black	91-93	80-91-08
N.I.	Grille, frame, chrome/black	91-93	80-91-09



20



21

REPLACEMENT FRONT END PARTS

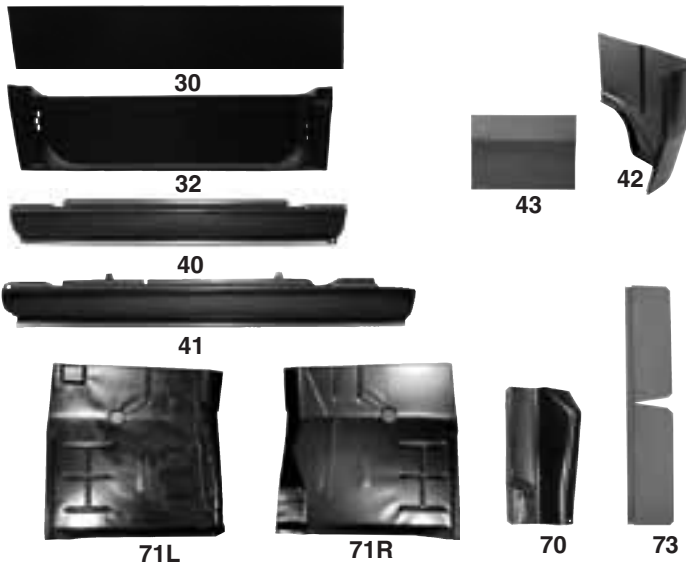
Index#	Description	Year	Mill Part#
N.I.	Valance panel	91-93	80-91-00
20	Fender	81-93	*80-81-20
21	Front fender lower rear section, 15"H, fits 72-80 exact, trim top of panel to fit 81-93	72-93	80-72-21

Specify LH (Drivers Side) or RH (Passenger Side) when ordering



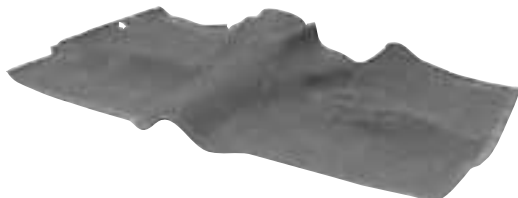


DODGE PICK-UP, RAMCHARGER 81-93



REPLACEMENT CAB PANELS

Index#	Description	Year	Mill Part#
30	Doorskin, lower outer, 9"H	72-93	80-72-30
32	Inner door bottom	72-93	80-72-32
N.I.	Doorshell, front	85-93	*80-85-34
40	Rocker panel, slip on style	72-93	80-72-40
41	Rocker, factory style, w/partial cab corner, P/U	72-93	80-72-41
42	Cab corner, PU only	72-93	80-72-42
43	Cab corner ext. Club cab PU only	72-93	80-72-43
70	Cab floor pan, outer rear sec., 20"L x 10"W	72-87	80-72-70
71	Cab floor pan, front half, 29" x 29", 2WD	72-93	80-72-71
73	Front cab floor, outer rear section, hand formed, 32" x 6"	81-93	80-72-73

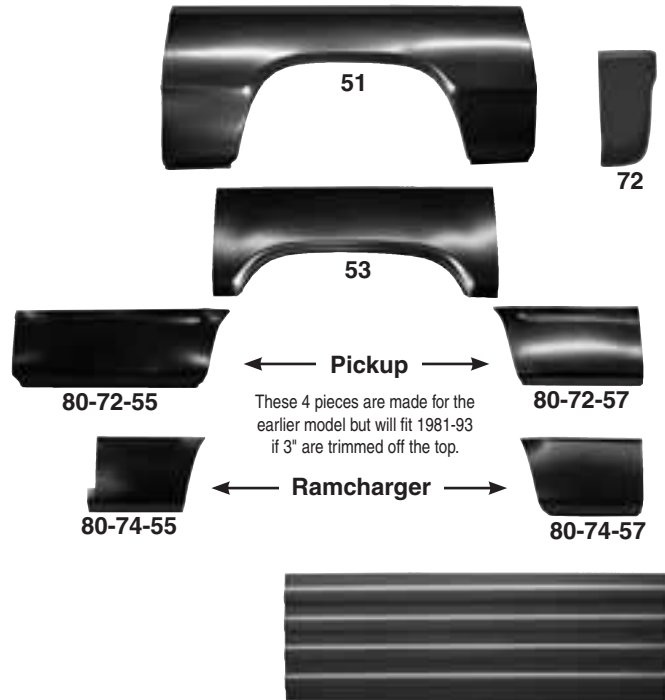
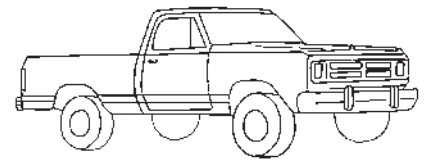


FLOOR MATS - PICKUP ONLY

Description	Year	Mill Part#
Small transmission mat 1/2-3Ton	81-93	80-72-101
Large transmission mat 1/2-3Ton	81-93	80-72-102
Jute padding for under cab mats, 3' x 6' x 3/8" thick		M-1631

WEATHERSTRIP

Description	Year	Mill Part#
Door Weatherstrip, fits LH or RH	78-93	80-78-90
Door Belt weatherstrip, fits LH inner, RH outer	81-93	80-81-91
Door Belt weatherstrip, fits LH outer, RH inner	81-93	80-81-92
Window channel weatherstrip, universal	74-93	80-74-96
Window channel weatherstrip, division bar run, universal	72-93	80-74-97
Window Channel Kit and Upper Run and Division, 4pcs	73-93	80-74-216
Window Channel and Belt Weatherstrip Kit, 8 pcs	72-93	80-74-220



← Pickup →
These 4 pieces are made for the earlier model but will fit 1981-93 if 3" are trimmed off the top.

← Ramcharger →

REPLACEMENT BED PANELS

Index#	Description	Year	Mill Part#
51	Wheel arch, PU (no gas hole for Ram) 60"L x 29"H	81-93	80-81-51
N.I.	Wheel arch, LH pickup only, w/gas hole, 60"L x 29"H	81-93	80-81-52L
53	Upper rear wheel arch section, 39"L x 16"H	81-93	80-81-53
55	Rear quarter lower front, 43"L x 16"H, Pickup (Top 3" must be cut off to fit 81-93)	72-93	80-72-55
55	Rear quarter lower front, Ramcharger (Top 3" must be cut off to fit 81-93)	74-93	80-74-55
57	Rear quarter lower rear, 13"H, 8' Bed (Top 3" must be cut off to fit 81-93) Does not include corner	72-93	80-72-57
57	Rear quarter lower rear, 14"H, Ramcharger (Top 3" must be cut off to fit 81-93) Does not include corner	74-93	80-74-57
N.I.	Tailgate (sweptline) single rear wheel only	81-93	80-81-60
72	Rear corner, pickup bed, 13"H	83-93	80-83-72
76	Bed floor section, 48"Lx16"W	72-93	80-72-76



TAIL LAMPS

Description	Year	Mill Part#
Stop/Tail/Turn Lamp w/chrome housing & chrome lens trim	81-93	80-81-423
Ramcharger/Trailduster (order LH or RH)		

Specify LH (Drivers Side) or RH (Passenger Side) when ordering

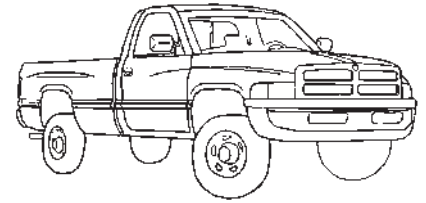
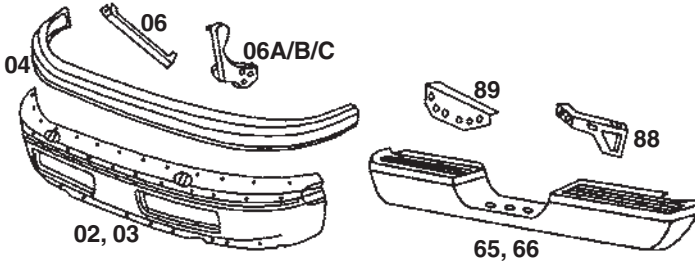
All manufacturers' names, numbers, and descriptions are used for reference purposes only. It is not implied that any part listed is the product of the original manufacturers or approved by any of these manufacturers.



Bold Type - New Item • ** Too large for UPS • N.I. Not Illustrated
800-888-5072 • Toll Free Fax 888-781-2700
Visit our web site: www.rustrepair.com

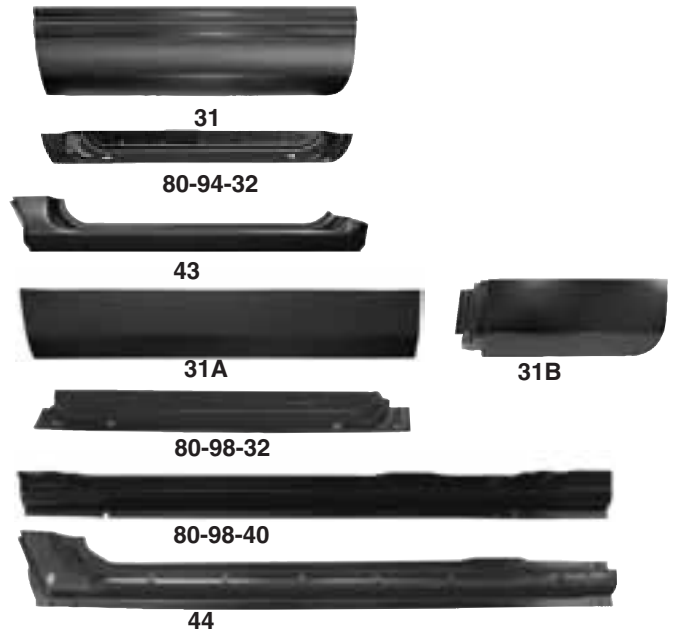


DODGE PICK-UP R1500 94-01
R2500/3500 94-02



REPLACEMENT BUMPERS

Index#	Description	Year	Mill Part#
02	Front bumper, face bar, paint to match	94-95	80-94-02
03	Front bumper, face bar, chrome	94-02	80-94-03
04	Front upper bumper cover without Sport package	94-02	80-94-04
06	Front bumper outer mounting bracket (also fits 99-02 w/o sport pkg.)	94-98	80-94-06
06A	Front bumper inner mounting bracket	94-96	80-94-06A
06B	Front bumper inner mounting bracket (w/o sport pkg.)	97-98	80-97-06B
06B	Front bumper inner mtg. bracket, w/sport pkg. L or R	99-01	80-99-06B
06C	Front bumper inner mtg. bracket, LH or RH (99-02 w/o sport pkg.; 2002 w/sport pkg.)	99-02	80-00-06C
65	Step bumper, factory style, black	94-02	80-94-65
66	Step bumper, factory style, chrome	94-02	80-94-66
88	Step bumper outer bracket, LH or RH	94-02	80-94-88
89	Step bumper inner bracket, universal	94-02	80-94-89



07

REPLACEMENT GRILLES

Index#	Description	Year	Mill Part#
07	Grille, chrome/silver	94-02	80-94-07
N.I.	Grille, matt black	94-02	80-94-09
N.I.	Grille mounting bracket, black. Replaces early version	94-02	80-94-11



REPLACEMENT CAB PANELS

Index#	Description	Year	Mill Part#
31	Doorskin, lower outer, 2DR Standard & Club Cab w/o 3rd dr, 53"x15"	94-02	80-94-31
31A	Doorskin, front lower outer, Extended & Quad Cab	94-02	80-94-31A
31B	Doorskin, rear lower outer, Extended & Quad Cab	94-02	80-94-31B
32	Inner door bottom, Standard & Club Cab w/o 3rd door, 4"H	94-02	80-94-32
32	Front inner door bottom, fits Quad Cab	98-02	80-98-32
N.I.	Doorshell, standard & club cab, w/safety beam	94-02	*80-94-34
N.I.	Rocker panel, 2DR, universal	94-02	80-94-40
40	Rocker panel, fits Quad Cab	98-02	80-98-40
41	Cab corner, 2DR std. cab & 4DR w/suicide doors 17"H	94-02	80-94-41
42	Cab corner, 2DR extended cab 17"H x 36"L	94-02	80-94-42
42A	Cab corners, fits Quad Cab	98-02	80-98-42A
42B	Lower inner cab corner, Quad Cab	98-02	80-98-42B
43	Rocker panel, 2DR Standard cab & Club Cab, factory style	94-02	80-94-43
44	Inner rocker panel, fits Quad Cab	98-02	80-98-44
71	Cab floor half, 17"W x 46"L	94-02	80-94-71



REPLACEMENT FRONT END PANELS

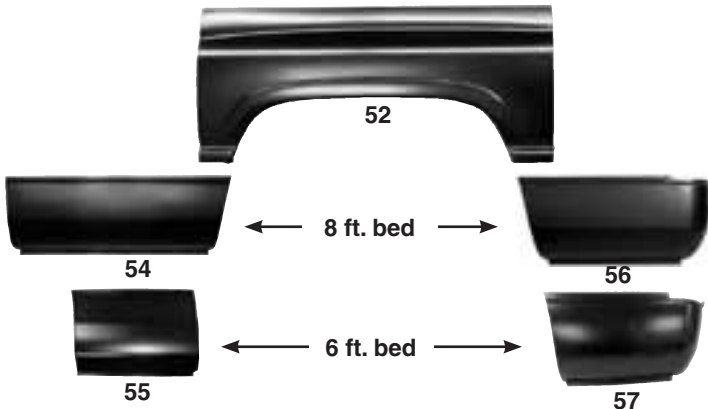
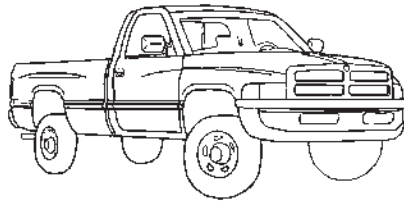
Index#	Description	Year	Mill Part#
N.I.	Front Air Dam, w/o tow hooks	94-02	80-94-00
N.I.	License plate bracket, 94-98 all & 99-02 w/sport pkg		80-94-01
N.I.	Radiator support	94-02	80-94-15
N.I.	Upper tie bar	94-02	80-94-16
N.I.	Center support brace	94-02	80-94-17
N.I.	Fender	94-02	*80-94-20
21	Front fender, lower rear section, 23"H	94-02	80-94-21
26	Front fender liner, plastic, 2WD	94-02	*80-94-26
26A	Front fender liner, plastic, 4WD	94-02	*80-94-26A

Specify LH (Drivers Side) or RH (Passenger Side) when ordering





DODGE PICK-UP R1500 94-01
R2500/3500 94-02



REPLACEMENT BED PANELS

Index#	Description	Year	Mill Part#
52	Upper rear wheel arch, 43"Lx18"H (11" above wheel)	94-02	80-94-52
54	Rear quarter lower front section, 8' box, P/U, 15"H	94-02	80-94-54
55	Rear quarter lower front section, 6' box, P/U, 15"H	94-02	80-94-55
56	Rear quarter lower rear section, 8' box, P/U, 15"H	94-02	80-94-56
57	Rear quarter lower rear section, 6' box, P/U, 15"H	94-02	80-94-57
N.I.	Tailgate shell, fits pickups with dual rear wheels	94-02	80-94-60
N.I.	Tailgate shell, fits pickups with single rear wheels	94-02	80-94-61
N.I.	Tailgate cable	94-02	80-94-309

MIRROR ASSEMBLIES



Description	Year	Part No.
LH Mirror Assembly, chrome/black, MANUAL	94-97	80-94-355
RH Mirror Assembly, chrome/black, MANUAL	94-97	80-94-357
LH Mirror Assembly, ELECTRIC	94-02	80-94-352
RH Mirror Assembly, ELECTRIC	94-02	80-94-353
LH Mirror Assembly, black, ELECTRIC	98-02	80-98-350
RH Mirror Assembly, black, ELECTRIC	98-02	80-98-351

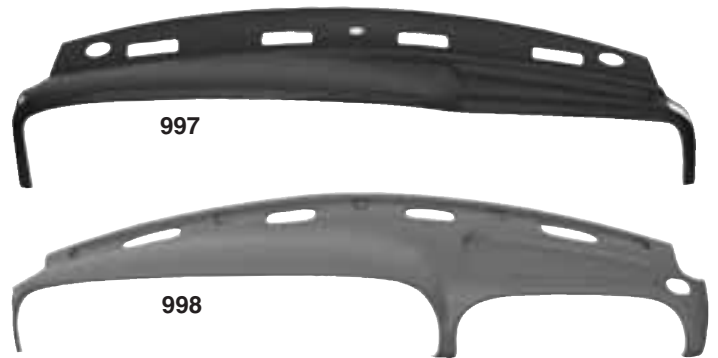
DROP CORD ROUGH SERVICE BULBS

69-205 - Our **Heavy-duty Rough Service Bulb** will last three to four times as long as a standard light bulb. Designed with a heavy-duty filament. This bulb does not have a rubberized coating. Rated at 75 watts.

69-210 - This **Rubberized Tuffskin Safety Rough Service Coated Bulb** is designed for Drop Cords. Its rubberized coating practically eliminates shattering when accidentally dropped. Lasts ten times longer than a standard bulb because of a heavy-duty filament. Designed for exterior or interior use and is cooler to the touch. Rated at 75 watts.



REPLACEMENT DASHTOP COVERS



REPLACEMENT DASHTOP COVERS

Index#	Description	Year	Mill Part#
997	Dash Cover, fits Pickups	94-97	DT-997
998	Dash Cover, fits Pickups 98-01 1500 and 98-02 2500/3500	98-02	DT-998

Automotive Bulbs



B-1157 Turn Signal, Stop, Tail, Parking Light (CLEAR)

B-1157NA Turn Signal Parking Light (AMBER)

B-2057 Turn Signal, Stop/Tail Parking Light (CLEAR)

B-2057-NA Turn Signal, Parking Light (AMBER)



B-1156 Back-up Turn Signal Light & High Mount Stop



B-194 (CLEAR)
B-194A (AMBER) Indicator Instrument, Side Marker, License Light



B-3057 Turn Signal, Stop/Tail Parking Light, Wedge Base (CLEAR)

B-3157 Ford & Chrysler (CLEAR)

B-3057NA Turn Signal, Parking Light Wedge base (AMBER)

B-3157NA Ford & Chrysler (AMBER)

B-3156 Turn Signal, Parking Light Wedge base, Ford & Chrysler (CLEAR)



Halogen Headlamp Replacement Bulb

B-9003 - High/Low Beam (1pc)

B-9004 - High/Low Beam (1pc)

B-9007 - High/Low Beam (1pc)



Halogen Headlamp Replacement Bulb

B-9005 - Low Beam (1pc)

B-9006 - High Beam (1 pc)

Specify LH (Drivers Side) or RH (Passenger Side) when ordering





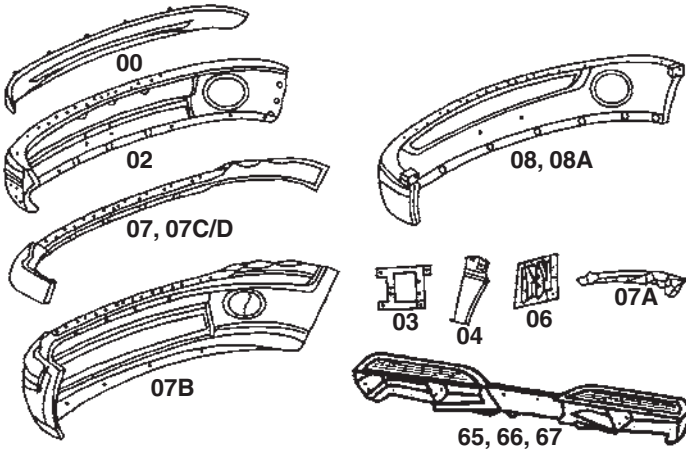
APPLICATIONS THAT FIT:

DODGE

Mill Supply Inc., 19801 Miles Rd., Cleveland, OH 44128

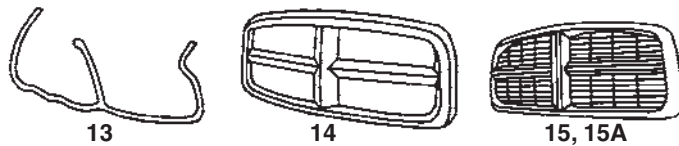
**DODGE PICK-UP R1500
R2500/3500**

**02-08
03-08**



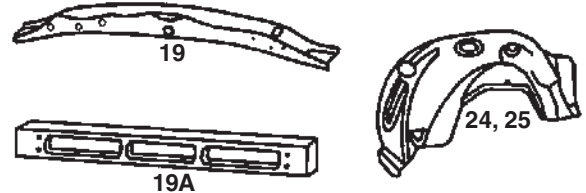
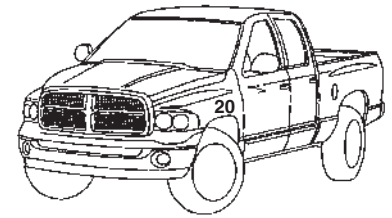
REPLACEMENT BUMPERS

Index#	Description	Year	Mill Part#
00	Front Lower Air Dam, w/o Sport also fits 2006-08 with chrome bumper	02-05	80-02-00
02	Front bumper beam, w/Sport, also fits 2006-08 w/o chrome bumper	02-05	*80-02-02
03	Front bumper support	02-08	80-02-03
04	Front bumper side support, w/o sport pkg.	02-05	80-02-04
06	Front bumper bracket, R1500 w/o tow hooks	02-05	80-02-06
N.I.	Front bumper bracket, R1500, exc. Mega cab	06-08	80-06-06A
N.I.	Front bumper upper bracket, R1500, exc. Mega cab	06-08	80-06-06B
N.I.	Front bumper lower bracket, R1500, exc. Mega cab	06-08	80-06-06C
07	Front upper cover, w/o Sport, paint to match	02-05	*80-02-07
07A	Front upper filler, L or R, paint to match	02-05	*80-02-07A
07B	Front bumper cover, Sport, paint to match	02-05	*80-02-07B
07C	Front upper cover, w/o Sport, textured gray	02	*80-02-07C
07D	Front upper cover, w/o Sport, textured gray	03-05	*80-03-07D
N.I.	Front upper cover, w/chrome bumper, textured gray	06-08	*80-06-07E
08	Front bumper, chrome, w/o Sport	02-05	*80-02-08
08A	Front bumper, painted, w/o Sport, paint to match	02-05	*80-02-08A
65	Step bumper, factory style, black w/pads & brackets paint to match	02-03	80-02-65
66	Step bumper, factory style, black w/pads & brackets paint to match	04-08	80-04-66
67	Step bumper, factory style, chrome w/pads & brackets	02-03	80-04-67
67	Step bumper, factory style, chrome w/pads & brackets	04-08	80-04-07



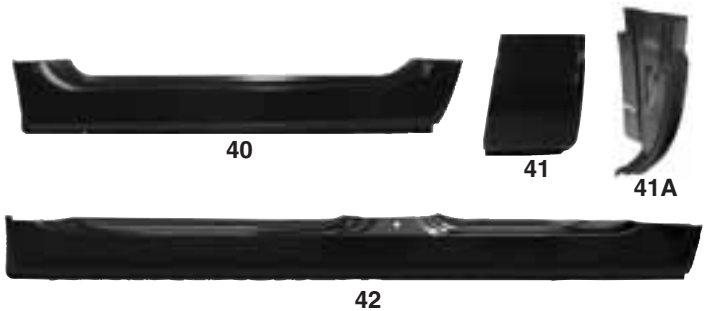
REPLACEMENT GRILLES

Index#	Description	Year	Mill Part#
13	Grille support	02-05	80-02-13
13	Grille support	06-08	80-06-13
14	Grille frame, chrome	02-05	80-02-14
15	Grille assembly, factory style, all chrome	02-05	80-02-15
15A	Grille assembly, factory style, paint to match	02-05	80-02-15A
N.I.	Grille, black	06-08	80-06-16
N.I.	Grille, chrome/black	06-08	80-06-16A
N.I.	Grille, chrome	06-08	80-06-16B



REPLACEMENT FRONT END PANELS

Index#	Description	Year	Mill Part#
N.I.	License plate bracket, front	02-03	80-02-12
N.I.	License plate bracket, front	04-08	80-04-12
19	Radiator support upper tie bar	02-08	80-02-19
19A	Radiator support lower tie bar	02-08	80-02-19A
20	Front Fender	02-05	*80-02-20
20	Front Fender	06-08	*80-06-20
24	Front fender liner, R1500/R2500	02-05	*80-02-24
24	Front fender liner, R1500	06-08	80-06-24
25	Front fender liner, R3500	03-05	*80-03-25



REPLACEMENT CAB PANELS

Index#	Description	Year	Mill Part#
40	Rocker panel, 2DR standard cab	02-08	80-02-40
41	Cab corners, 2DR standard cab	02-08	80-02-41
41A	Cab corners, fits Quad Cab	02-08	80-02-41A
42	Rocker panel, fits Quad Cab, 79"L	02-08	80-02-42



REPLACEMENT BED PANELS

Index#	Description	Year	Mill Part#
52	Rear upper wheel arch	02-08	80-02-52
57	Rear quarter lower rear section, 6' bed	02-08	80-02-57
N.I.	Tailgate shell for dual rear wheels	02-08	80-02-60
N.I.	Tailgate shell for single rear wheel	02-08	80-02-61

DOOR HANDLES & TAILGATE HARDWARE

Door handle, inside front	02-08	80-02-380
Door handle, outside front, black, LH with or w/o keyless entry, RH with keyless entry	02-08	80-02-381
Door handle, outside rear, black, textured black	02-08	80-02-383
Tailgate cable, universal LH or RH	02-08	80-02-386
Tailgate handle, black	02-08	80-02-387

Specify LH (Drivers Side) or RH (Passenger Side) when ordering



Bold Type - New Item • ** Too large for UPS • N.I. Not Illustrated
800-888-5072 • Toll Free Fax 888-781-2700
Visit our web site: www.rustrepair.com

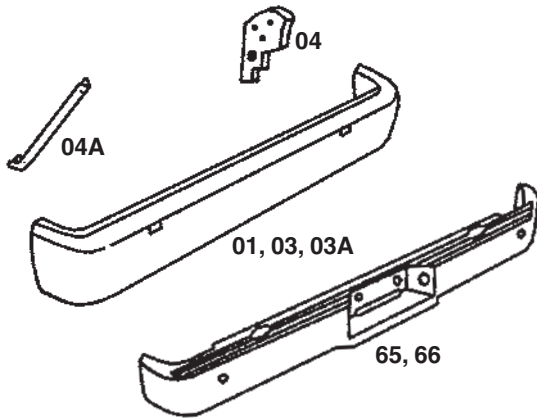


All manufacturers' names, numbers, and descriptions are used for reference purposes only. It is not implied that any part listed is the product of the original manufacturers or approved by any of these manufacturers.



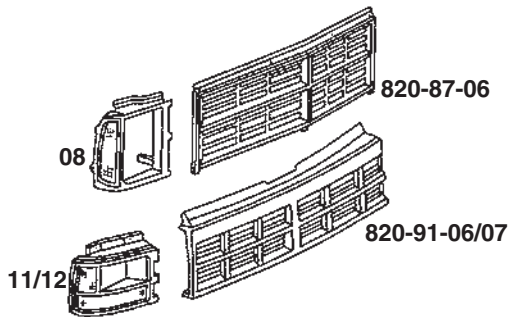
DODGE DAKOTA PICK-UP

87-96



REPLACEMENT BUMPERS

Index #	Description	Year	Mill Part#
01	Front bumper, chrome, plain w/o strip holes	87-90	820-87-01
N.I.	Front bumper, chrome, w/weatherstrip holes	87-90	820-87-02
N.I.	Front bumper, painted, w/weatherstrip holes	91-96	820-91-02
03	Front bumper, painted, plain w/o strip holes	91-96	820-91-03
03A	Front bumper, chrome w/o strip holes, base model	91-96	820-91-03A
N.I.	Front bumper, chrome w/strip holes, sport model	91-96	820-91-03B
04	Front bumper bracket	91-96	820-91-04
04A	Front bumper brace, outer	87-90	820-87-04A
65	Rear step bumper, chrome, w/pads	87-96	820-87-65
66	Rear step bumper, black, w/pads & brackets	87-96	820-87-66

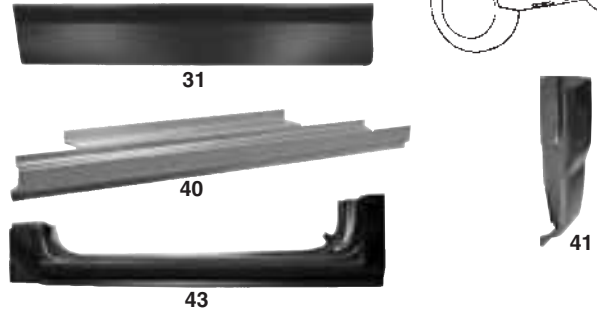
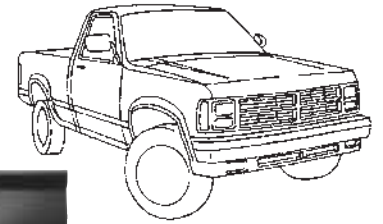


REPLACEMENT GRILLES

Index #	Description	Year	Mill Part#
06	Grille, chrome/silver/black	87-90	820-87-06
06	Grille, black, paint to match	91-96	820-91-06
07	Grille, chrome/dark gray	91-96	820-91-07
08	Headlight door, chrome/dark argent, exc. sport	87-88	820-87-08
11	Headlight door, chrome w/lens w/aero pkg (Uses composite headlamps)	91-96	820-91-11
12	Headlight door, chrome/black/dark gray w/lens w/o Aero pkg. (Uses sealed beam headlamps)	91-96	820-91-12

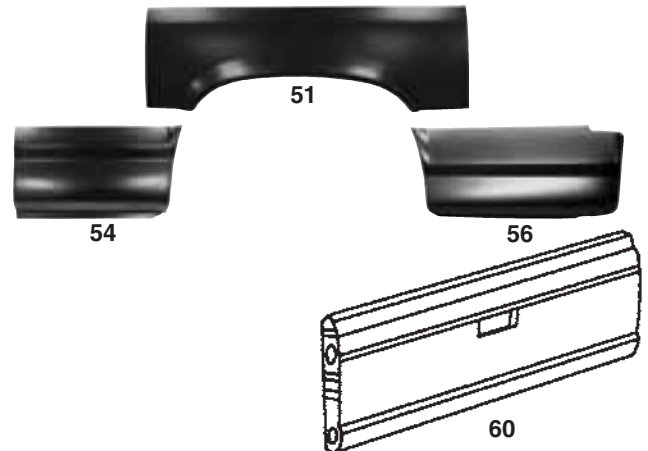
REPLACEMENT FRONT END PANELS

Index #	Description	Year	Mill Part#
N.I.	Front fender	87-96	*820-87-20



REPLACEMENT CAB PANELS

Index #	Description	Year	Mill Part#
31	Doorskin, outer lower 9"	87-96	820-87-31
40	Rocker panel	87-96	820-87-40
41	Cab Corner	87-96	820-87-41
43	Rocker panel, factory style	87-96	820-87-43



REPLACEMENT BED PANELS

Index #	Description	Year	Mill Part#
51	Upper rear wheel arch area, 13"H x 42"L	87-96	820-87-51
54	Rear quarter lower front sec., 7.5' bed, 23"W x 13"H	87-96	820-87-54
56	Rear quarter lower rear sec., 7.5' bed, 27"W x 13"H	87-96	820-87-56
60	Tailgate	87-93	820-87-60
60	Tailgate	94-96	820-94-60
N.I.	Cable for tailgate	87-96	820-87-63

STOP/TAIL/TURN LAMPS

Description	Year	Mill Part#
LH Tail Lamp, black edge trim	87-96	G-4716
RH Tail Lamp, black edge trim	87-96	G-4717
LH Tail Lamp, black edge trim and chrome lens trim	87-96	G-4718
RH Tail Lamp, black edge trim and chrome lens trim	87-96	G-4719
LH Tail Lamp, chrome edge trim	87-96	G-4720
RH Tail Lamp, chrome housing	87-96	G-4721
LH Tail Lamp, chrome edge and lens trim	87-96	G-4722
RH Tail Lamp, chrome edge and lens trim	87-96	G-4723

WEATHERSTRIP

Description	Year	Mill Part#
Door Weatherstrip, LH	87-96	820-87-211L
Door Weatherstrip, RH	87-96	820-87-211R
Window Channel, Complete Run, LH	87-96	820-87-216L
Window Channel, Complete Run, RH	87-96	820-87-216R

Specify LH (Drivers Side) or RH (Passenger Side) when ordering

All manufacturers' names, numbers, and descriptions are used for reference purposes only. It is not implied that any part listed is the product of the original manufacturers or approved by any of these manufacturers.



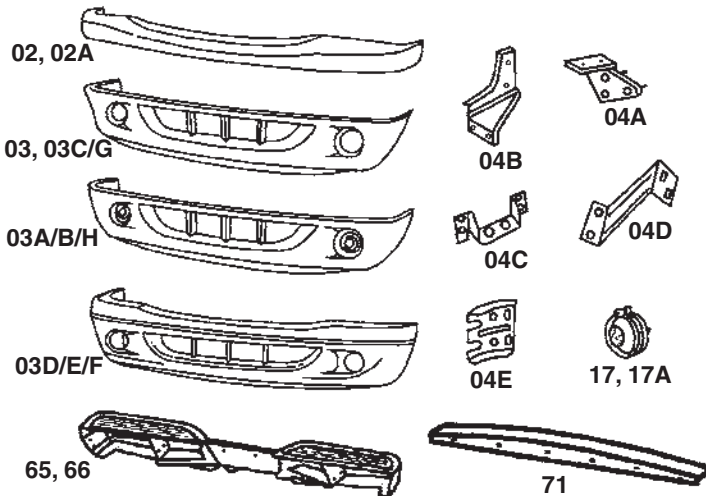
Bold Type - New Item • ****** Too large for UPS • **N.I.** Not Illustrated
 800-888-5072 • Toll Free Fax 888-781-2700
 Visit our web site: www.rustrepair.com





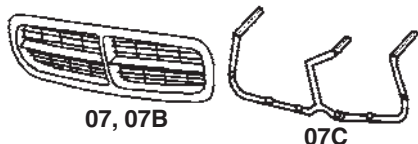
**DODGE DAKOTA PICK-UP
DURANGO**

**97-04
98-03**



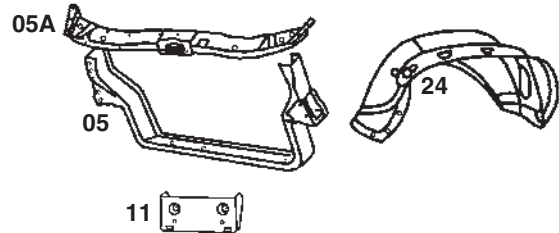
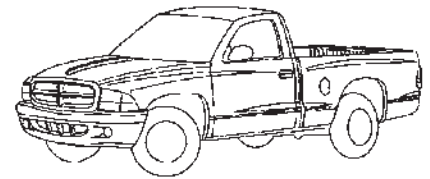
REPLACEMENT BUMPERS & BUMPER COVERS

Index #	Description	Year	Mill Part#
02	Front face bar, chrome	97-04	820-97-02
02A	Front face bar, painted, paint to match	97-00	820-97-02A
03	Front lower fascia smooth w/fog lamp holes	97-00	820-97-03
03A	Front lower fascia smooth w/o fog lamp holes	97-00	820-97-03A
03B	Front lower fascia textured w/fog lamp holes	97-00	820-97-03B
03C	Front lower fascia textured w/o fog lamp holes	97-00	820-97-03C
03D	Front bumper cover w/textured upper/smooth lower w/o fog lamps holes, paint to match 01-04 Dakota; 01-03 Durango	01-04	820-01-03D
03E	Front bumper cover all smooth, 1 Piece design w/fog lamps holes, paint to match, 01-04 Dakota; 01-03 Durango	01-04	820-01-03E
03F	Front bumper cover all smooth, 1 Piece design w/o fog lamps holes, paint to match, 01-04 Dakota; 01-03 Durango	01-04	820-01-03F
03G	Front lower fascia, textured, w/fog lamp holes, Dakota	01-04	820-01-03G
03H	Front lower fascia, textured, w/o fog lamp, Dakota	01-04	820-01-03H
N.I.	Front bumper beam, 01-04 Dakota w/1 piece bumper and 01-03 Durango	01-04	820-01-04
04A	Front bumper inner bracket	97-04	820-97-04A
04B	Front bumper to frame bracket, 97-01 Dakota and 98-00 Durango	97-01	820-97-04B
04C	Front inner bar bracket	97-04	820-97-04C
04D	Front bumper to frame bracket, 02-04 Dakota and 01-03 Durango	02-04	820-02-04D
04E	Front outer bar bracket, 97-04 Dakota 98-00 Durango, universal	97-04	820-97-04E
17	Fog lamp assembly	97-00	820-97-17
17A	Fog lamp assy, 01-04 Dakota, 01-03 Durango, Univ	01-04	820-01-17A
65	Rear step bumper, chrome, w/pads & brackets, Dakota	97-04	820-97-65
66	Rear step bumper, painted, w/pads & brackets, Dakota	97-04	820-97-66
71	Rear bumper re-bar, Durango	98-03	820-98-81



REPLACEMENT GRILLES

Index #	Description	Year	Mill Part#
07	Grille, chrome/black	97-04	820-97-07
07B	Grille, painted, paint to match	97-04	820-97-07B
07C	Grille mounting bracket, new style, (replaces 97-99 early version with flat bottom bracket)	97-04	820-97-07C



REPLACEMENT FRONT END PANELS

Index #	Description	Year	Mill Part#
05	Radiator support, lower	97-04	820-97-05
05A	Upper tie bar	97-04	820-97-05A
11	License plate bracket	97-04	820-97-11
N.I.	Front fender	97-04	*820-97-20
24	Front wheelhouse	97-04	*820-97-24



REPLACEMENT CAB PANELS

Index #	Description	Year	Mill Part#
N.I.	Lower outer door skin	97-04	820-97-31
40	Rocker panel	97-04	820-97-40
45	Cab corner, 2DR	97-04	820-97-45
46	Cab corner, Club	97-04	820-97-46



REPLACEMENT BED PANELS

Index #	Description	Year	Mill Part#
52	Upper rear wheel arch	97-04	820-97-52
N.I.	Tailgate shell, Dakota, with tailgate liner holes	02-04	820-02-60
N.I.	Cable for tailgate	87-94	820-87-63

DOOR HANDLES & TAILGATE HARDWARE

Door handle, outside front, black, Dakota	97-99	820-97-381
---	-------	------------

LAMPS

Headlamp, lens and housing	97-04	820-97-420
Combination Headlamp assy w/park/signal lamp	97- 8/18/97	820-97-421
Combination Headlamp assy w/park/signal lamp	8/18/97-04	820-97-422
Park/Signal lamp	97- 8/18/97	820-97-425
Park/Signal lamp	8/18/97-04	820-97-426
Tail lamp lens and housing, Dakota	97-04	820-97-428
Tail lamp lens and housing, Durango	98-03	820-98-429

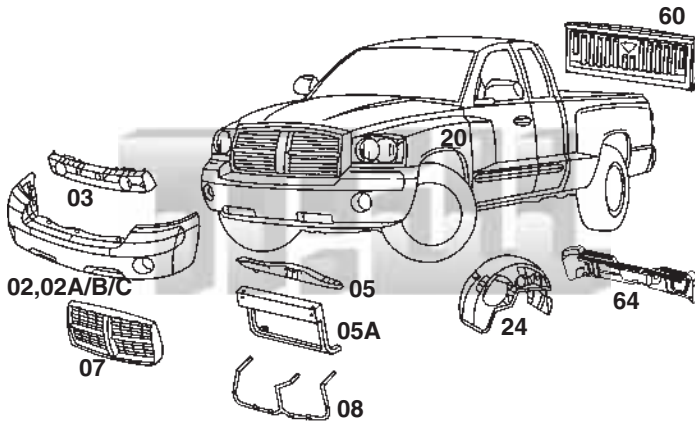
Specify LH (Drivers Side) or RH (Passenger Side) when ordering





DODGE DAKOTA PICK-UP

05-08



REPLACEMENT BODY PANELS

Index #	Description	Year	Mill Part#
02	Front Bumper Cover smooth, w/chrome cover moulding holes, paint to match	05-07	*820-05-02
02A	Front Bumper Cover without chrome cover moulding holes, paint to match	05-07	*820-05-02A
02B	Front Bumper Cover, Textured, dark gray w/o chrome cover moulding holes, with fog lamp holes	05	*820-05-02B
02C	Front Bumper Cover, Textured, dark gray with chrome cover moulding holes, with fog lamp holes	05	*820-05-02C
03	Front bumper re-bar	05-07	820-05-03
N.I.	Front bumper re-bar	08	820-08-03A
N.I.	Front bumper support bracket	05-07	820-05-03C
N.I.	Front cover moulding chrome	05-07	820-05-04
05	Upper tie bar	05-08	820-05-05
05A	Lower tie bar	05-08	820-05-05A
07	Grille, chrome/black	05-06	820-05-07
08	Grille bracket	05-07	820-05-08
20	Front fender	05-07	*820-05-20
24	Front wheelhouse	05-08	*820-05-24
60	Tailgate shell, without spoiler	05-08	820-05-60
64	Rear face bar only, black, paint to match	05-08	820-05-64
N.I.	Step Bumper Assy, Chrome, Factory style w/pads and brackets (less license lamps)	05-08	820-05-66
N.I.	Step Bumper Assy, Paint to match, Factory style with pads and brackets (less license lamps)	05-08	820-05-67

DOOR HANDLES

Description	Year	Mill Part#
Door handle, outside front, black, Dakota LH w/ or w/o keyless entry; RH w/o keyless entry	05-08	80-02-381
Door handle, outside rear, textured black	05-08	80-02-383

LAMPS

Description	Year	Mill Part#
Combination Headlamp	2005	820-05-421
Combination Headlamp, w/black bezel	06-07	820-06-422
Combination Headlamp, w/o Black bezel	06-07	820-06-423
Combination Taillamp	05-08	820-05-426
License lamp set, chrome	05-08	820-05-430
License lamp set, black	05-08	820-05-432

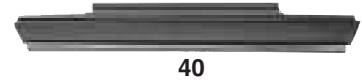
DODGE RAM 50, D50

79-86

PLYMOUTH ARROW PICK-UP

MITSUBISHI PICK-UP, USA only

83-86



REPLACEMENT BODY PANELS

Index#	Description	Year	Mill Part#
40	Rocker panel	79-86	441-79-40

GAS TANK

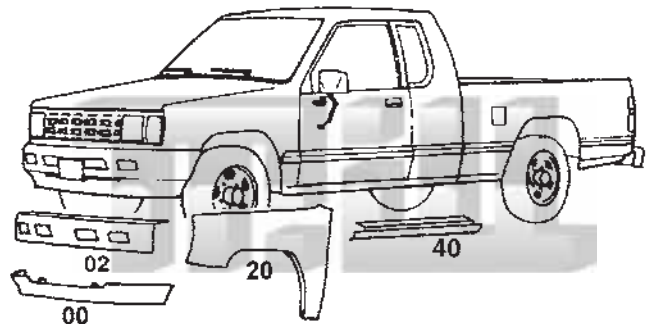
N.I.	Gas tank, 15 gallon, 79-7/85 D50, 83-86 Mitsubishi	79-7/85	441-79-110
-------------	--	---------	------------

DODGE D-50 PICK-UP

87-93

MITSUBISHI PICK-UP USA only

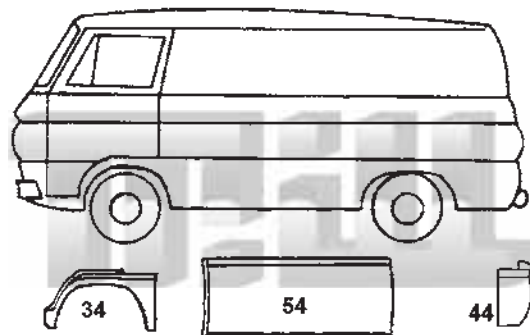
87-96



REPLACEMENT BODY PANELS

Index#	Description	Year	Mill Part#
00	Valance panel, front	87-92	441-87-00
02	Front bumper, black	87-92	441-87-02
N.I.	Front bumper end, black	87-92	441-87-07
20	Fender, 2WD w/o flair	87-96	*441-87-20
40	Rocker panel, with standard cab	87-96	441-87-40

DODGE VAN 64-70



REPLACEMENT BODY PANELS

Index#	Description	Year	Mill Part#
34	Front wheel arch	64-70	81-64-34
44	Rear corner panel	64-70	81-64-44
54	Left side panel 18"Hx54"L	64-70	81-64-54

Specify LH (Drivers Side) or RH (Passenger Side) when ordering

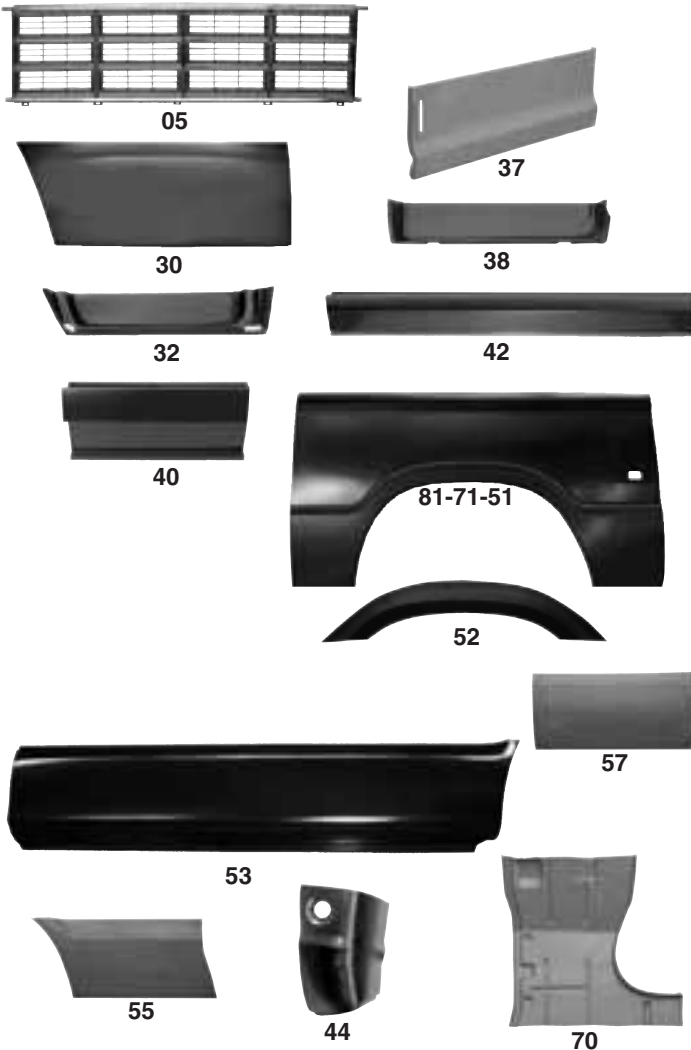
All manufacturers' names, numbers, and descriptions are used for reference purposes only. It is not implied that any part listed is the product of the original manufacturers or approved by any of these manufacturers.



Bold Type - New Item • ****** Too large for UPS • **N.I.** Not Illustrated
 800-888-5072 • Toll Free Fax 888-781-2700
 Visit our web site: www.rustrepair.com

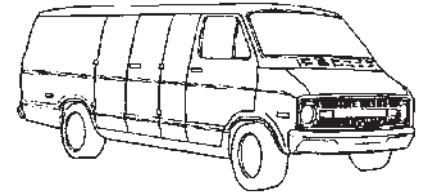


DODGE VAN, PLYMOUTH VAN 71-2003



REPLACEMENT BODY PANELS

Index#	Description	Year	Mill Part#
N.I.	Valance panel	79-93	81-79-02
N.I.	Front filler panel (order LH or RH)	94-97	81-94-03
N.I.	Grille w/rect. H/L, chrome/argent/black	79-85	81-84-04
N.I.	Grille, blk/argent, for use w/rect. H/L door	86-93	81-86-04
05	Grille, chrome/black, for use w/rect. H/L door	86-93	81-86-05
N.I.	Grille, chrome/gray	94-97	81-94-06
N.I.	Grille, paint to match	94-97	81-94-06A
N.I.	Grille, chrome/black	98-03	81-98-06B
N.I.	Grille, paint to match	98-03	81-98-06C
N.I.	H/L door, chrome/silver/black w/single rect. H/L	86-93	81-86-09
N.I.	Grille extension panel, LH or RH	94-97	81-94-11
N.I.	Grille extension panel, LH or RH	98-03	81-98-11
N.I.	Front bumper, chrome, w/o pad holes	79-85	81-75-13
N.I.	Front bumper, chrome, w/o pad holes	86-93	81-86-13
N.I.	Front bumper, chrome with pad holes	86-93	81-86-14
N.I.	Front bumper, chrome w/step pad hole	94-97	81-94-16
N.I.	Front bumper, w/o step pad hole, paint to match	94-97	81-94-17
N.I.	Front bumper, chrome	98-03	81-98-18
N.I.	Front bumper, painted	98-03	81-98-19
N.I.	Front Fender	98-03	81-98-20
30	Doorskin, outer, front 10"H	71-03	81-71-30
N.I.	Doorskin, outer, RH sliding 15"H	78-03	81-78-31
32	Inner front door bottom, 5"H	71-97	81-71-32
N.I.	Doorskin, LH side cargo door, 10"H (aft door)	78-03	81-78-34
N.I.	Doorskin, RH side cargo door, 10" (forward door)	71-03	81-71-35



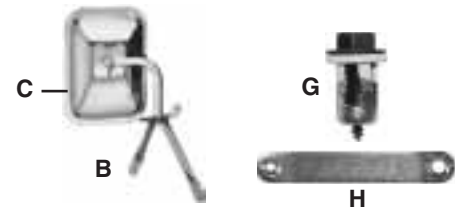
REPLACEMENT BODY PANELS Continued

Index#	Description	Year	Mill Part#
37	Doorskin, dual rear doors, 10"H, fits LH or RH	71-03	81-71-37
38	Inner side door bottom, fore 71-on, aft door 71-77	71-77	81-71-38
38	Inner side door bottom, aft door, 4"H	78-03	81-78-38
40	Rocker, front door, 28"L x 6"H	71-03	81-71-40
42	Rocker, right cargo door, Swing style doors only	71-03	81-71-42
44	Rear corner panel, 21" (fill in gas hole for 78-up LH)	71-77	81-71-44
N.I.	Rear wheel arch RH (2" between wheel and door)	71-77	81-71-50-R
51	Rear wheel arch 24"Hx52"L	71-77	81-71-51
N.I.	Rear wheel arch RH (2" between wheel and door)	78-97	81-78-51-R
52	Upper rear wheel arch, 5" span	71-03	81-71-52
53	Left side panel 12"Hx73"L	71-03	81-71-53
55	RH quarter, between wheel & door,(11"H, 127" W/B)	78-03	81-78-55
57	Rear quarter lower rear section 14"Hx29"L (Used as an extension on maxi van w/part# 81-71-58)	71-03	81-71-57
N.I.	Rear quarter lower rear sec 14"Hx15"L (directly behind wheel)	71-03	81-71-58
N.I.	Rear bumper, chrome w/o pad holes	86-93	81-86-65
N.I.	Rear bumper, painted w/o pad holes	86-93	81-86-67
N.I.	Rear bumper, painted, w/o step pad holes	94-03	81-94-69
70	Cab floor front section, 23"L	71-01	81-71-70



WEATHERSTRIP

Belt weatherstrip - LH or RH, Inner or Outer, each	71-79	81-71-96
Belt weatherstrip kit, inner/outer L&R door 4pc kit	71-79	81-71-215
Window weatherstrip 8pc kit; Includes: 2 upper glass runs, 2 div. bar liners, 4 belt weatherstrip for L & R door	71-79	81-71-220
Belt weatherstrip, inner DS - Outer PS, each	80-97	81-80-207
Belt weatherstrip, outer DS - Inner PS, each	80-97	81-80-208
Belt weatherstrip kit, inner/outer L&R door 4pc kit	80-97	81-81-215
Window weatherstrip 8 pc kit; Includes: 2 upper glass runs, 2 div. bar liners, 4 belt weatherstrip for L & R door	80-97	81-80-220
Door weatherstrip, front door, fits L or R door, 1 pc	70-97	81-78-90



MIRRORS

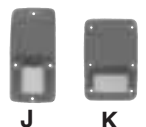
Index#	Description	Mill Part#
B	Below eye level assy w/ext. mount head, white, 1 per box	2809-15
B	Below eye level assy w/ext. mount head, S.S.; 1 per box	2809-35
C	Stainless head only for 2809-35	1211-35
G	Fasteners for Mirrors, 25/box	AV-13232
H	Friction wrench for AV-13232 (1 pc.)	AV-14156

CAB FLOOR MATS - Heavy duty rubber like original

Description	Year	Mill Part#
Left Side	79-94	81-79-101
Jute padding for under cab mats, 3' x 6' x 3/8" thick		M-1631

LAMPS & LENSES

Index#	Description	Year	Mill Part#
J	Dodge van lens w/divider plate (universal)	70-77	G-4702
K	Dodge van lens w/divider plate LH	78-88	G-4706
K	Dodge van lens w/divider plate RH	78-88	G-4707

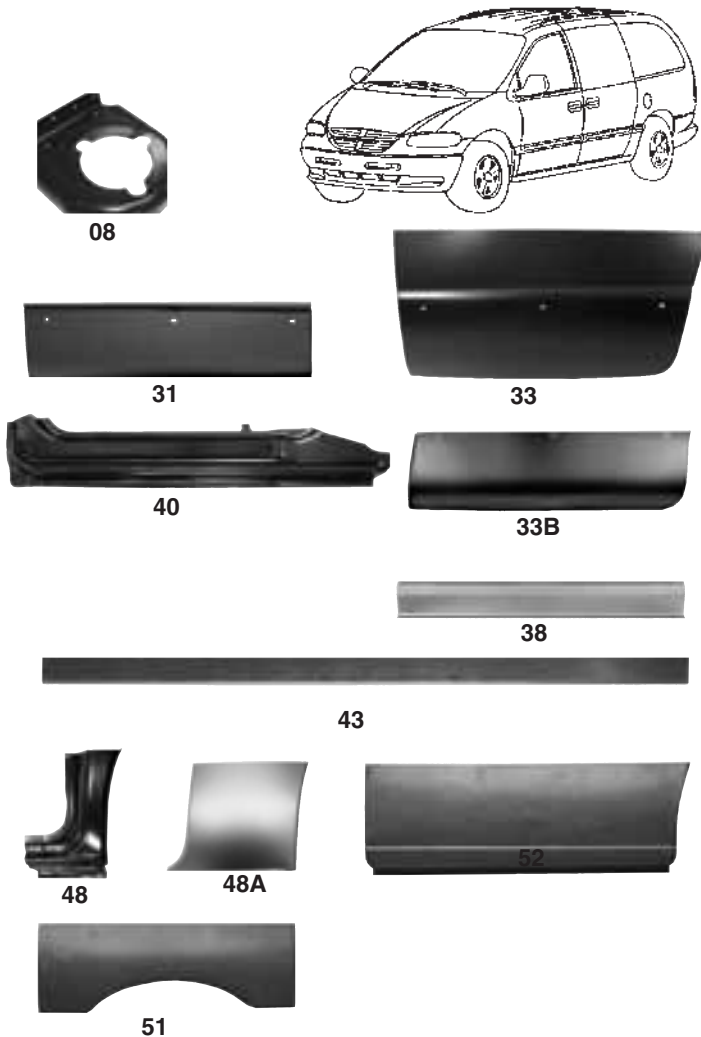


Specify LH (Drivers Side) or RH (Passenger Side) when ordering





DODGE CARAVAN/PLYMOUTH VOYAGER 96-00



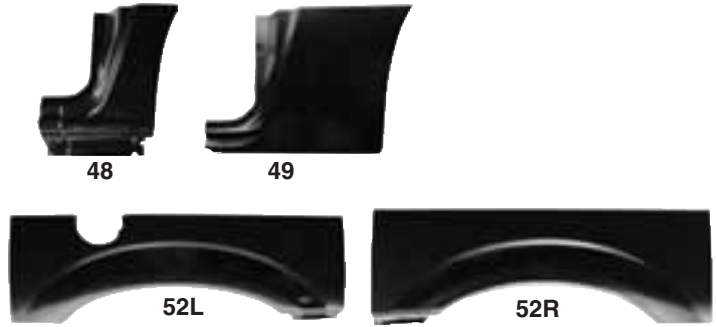
REPLACEMENT BODY PANELS

Index#	Description	Year	Mill Part#
N.I.	Upper tie bar	96-00	85-96-04
08	Front strut tower patch, L or R	96-00	85-96-08
N.I.	Front fender	96-00	*85-96-20
N.I.	Front fender liner, 96 Caravan, 97-00 Caravan w/o sport package, 97-00 Voyager		85-96-24
N.I.	Front fender liner, 96 Voyager, 97-00 Caravan with sport package, 96-00 Town & Country		85-96-25
31	Doorskin, lower front, 39"L x 11"H	96-00	85-96-31
33	Doorskin, lower sliding door, 35"L x 19"H	96-00	85-96-33
33B	Doorskin, lower sliding door, 11"H	96-00	85-96-33B
38	Rocker panel, sliding door, 48"L x 6.5"H, hand made	96-00	85-96-38
40	Rocker panel, front door, factory style, L or R	96-00	85-96-40
43	Rocker panel outer skin for 119" extended WB models trim for short wheel base models	96-00	85-96-43
48	Rear quarter lower front sec. of rear wheel, 9"L x 16"H standard van only, does not fit Grand Caravan	96-00	85-96-48
48A	Rear quarter lower front sec., long WB, fits Grand Caravan	96-00	85-96-48A
51	LH side panel, w/o left side sliding door, 40"L x 12"H	96-00	85-96-51
52	Upper rear wheel arch, 14"H x 40"L	96-00	85-96-52

MIRRORS

LH Mirror Assy, flat head, black, ELECTRIC	96-98	85-96-361
RH Mirror Assy, convex head, black ELECTRIC	96-98	85-96-363

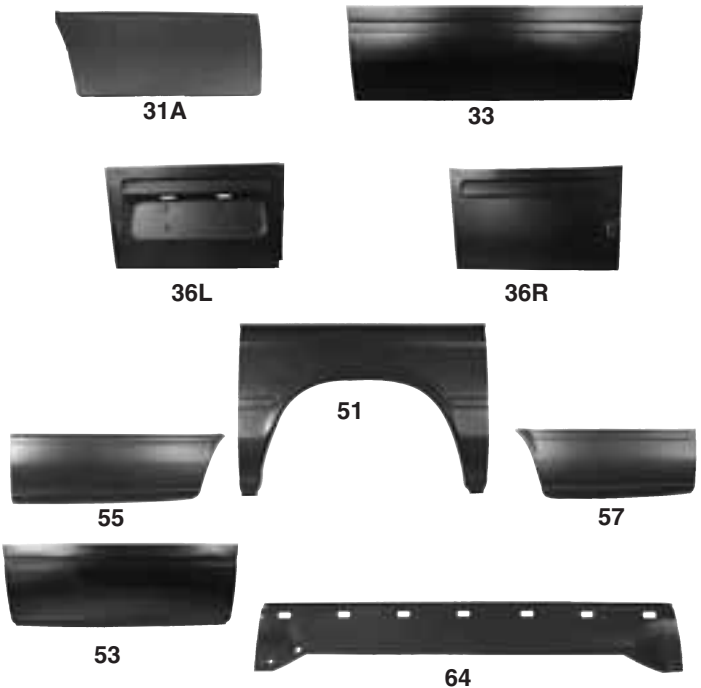
DODGE CARAVAN 01-07



REPLACEMENT BODY PANELS

Index#	Description	Year	Mill Part#
48	Rear quarter lower front sec. short wheel base, LH only	01-07	85-01-48L
49	Rear quarter lower front sec., long wheel base, LH only	01-07	85-01-49L
52	Upper rear wheel arch, specify L or R	01-07	85-01-52

DODGE SPRINTER VAN 03-06



REPLACEMENT SHEETMETAL

Index#	Description	Year	Mill Part#
N.I.	Front fender	03-06	285-03-20
N.I.	Front wheel lower rear section, between wheel & door 31"H and extends 12" toward rocker	03-06	285-03-21
N.I.	Doorskin, front door, lower outer, 26"H	03-06	285-03-31
31A	Doorskin, front door, lower outer, 12"H	03-06	285-03-31A
33	Doorskin, sliding side door, lower outer, universal L=R 47"L x 15"H	03-06	285-03-33
36	Doorskin, rear cargo door, lower outer, 31"L x 19"H	03-06	285-03-36
N.I.	Rocker panel, front door, 34"L	03-06	285-03-40
N.I.	Rocker panel, side sliding door, 47"L x 7"H	03-06	285-03-43
51	Rear wheel arch area, 42"L x 28"H	03-06	285-03-51
53	Lower side repair panel, 47"L x 19"H	03-06	285-03-53
55	Rear quarter, lower front section, LWB, 50"L x 17"H	03-06	285-03-55
57	Rear quarter, lower rear section, LWB, 42"L x 16"H	03-06	285-03-57
64	Rear panel below rear doors, 56"W x 9-3/4"H	03-06	285-03-64

Specify LH (Drivers Side) or RH (Passenger Side) when ordering

All manufacturers' names, numbers, and descriptions are used for reference purposes only. It is not implied that any part listed is the product of the original manufacturers or approved by any of these manufacturers.



Bold Type - New Item • ****** Too large for UPS • **N.I.** Not Illustrated
 800-888-5072 • Toll Free Fax 888-781-2700
 Visit our web site: www.rustrepair.com