



**BMW 318i, 325E, E5, I, IS, IX, Conv., M3 84-91**



**REPLACEMENT SHEETMETAL**

Index#	Description	Year	Mill Part#
41	Rocker panel, 2DR, w/lower quarter section	84-91	145-84-41
42	Rocker panel, 4DR	84-91	145-84-42
51	Rear wheel arch, 2DR, Coupe & Convertible	84-91	145-84-51
54	Rear wheel arch, 4DR, Sedan	84-91	145-84-54

**BMW 3 Series (E-36) 92-99**

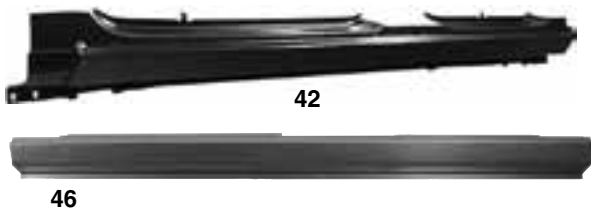


**REPLACEMENT SHEETMETAL**

Index#	Description	Year	Mill Part#
05	Radiator support	92-99	145-92-05
20	Fender, Sedan w/o side repeater lamp	92-96	145-92-20
21	Fender, Coupe/Convertible, w/o side repeater lamp	92-96	145-92-21
22	Fender, Coupe/Convertible, w/side repeater lamp	92-96	145-92-22
N.I.	Front fender liner, Coupe/Convertible w/o seal	92-99	145-92-24
42	Rocker panel, 4DR	92-99	145-92-42
54	Rear wheel arch, 4DR, Sedan	92-99	145-92-54

**BUICK APOLLO - SEE CHEV. NOVA 68-79  
BUICK SKYHAWK - SEE CHEV. CAVALIER 82-94**

**BUICK PARK AVENUE & ULTRA 85-96  
& LESABRE (FWD) 86-99**



**REPLACEMENT SHEETMETAL**

Index#	Description	Year	Mill Part#
42	Rocker panel, 4DR, (LeSabre 86-91)	85-90	67-85-42
42	Rocker panel, 4DR, (LeSabre 92-99), factory style, 77"L	91-96	67-91-42
46	Rocker panel, slip over type, 4DR, 73"L	91-99	67-91-46

**BUICK CENTURY 82-96**



**REPLACEMENT SHEETMETAL**

Index#	Description	Year	Mill Part#
42	Rocker Panel, 4DR	82-96	801-82-42

**BUICK ELECTRA/LESABRE RWD 80-90**

**REPLACEMENT SHEETMETAL**

Index	Description	Year	Mill Part#
N.I.	Rocker, 2DR	80-90	53-77-40
N.I.	Rocker, 4DR	80-90	53-77-42

**WEATHERSTRIP**

Description	Year	Mill Part#
Door seal set, 2DR, front doors, L&R door	80-90	53-80-101
Door seal set, 4DR, frt doors, L&R door, lg blue clips	80-90	53-80-102
Door seal set, 4DR, front doors, L & R door, sm white clips	80-90	53-80-103
Door seal set, 4DR, rear doors, L&R door	80-90	53-80-104
Belt weatherstrip, 4pc kit, front doors, 4DR, LeSabre for inner & outer, left & right	80-90	671-80-101
Belt weatherstrip, 4pc kit, front doors, 4DR, Electra inner & outer, left & right, Large blue clips	80-90	671-80-102
Belt weatherstrip, 4pc kit, front doors, 2DR Electra/LeSabre, inner & outer, left & right	80-90	53-80-106

**BUICK REGAL 78-80**



**REPLACEMENT SHEETMETAL**

Index#	Description	Year	Mill Part#
N.I.	Hood latch	78-80	50-73-13
40	Rocker panel, 2DR with extension	78-80	59-78-40
70	Floor pan half, 25" x 65"	78-80	55-78-70
N.I.	Battery hold down bracket	78-80	55-78-98
N.I.	Battery tray	78-80	55-78-99

**GAS TANKS**

Gas tank w/o filler neck, exc. station wagon	78-80	55-78-111
Straps for gas tanks, set	78-80	55-78-115

**DOOR & WINDOW CRANK HANDLES**

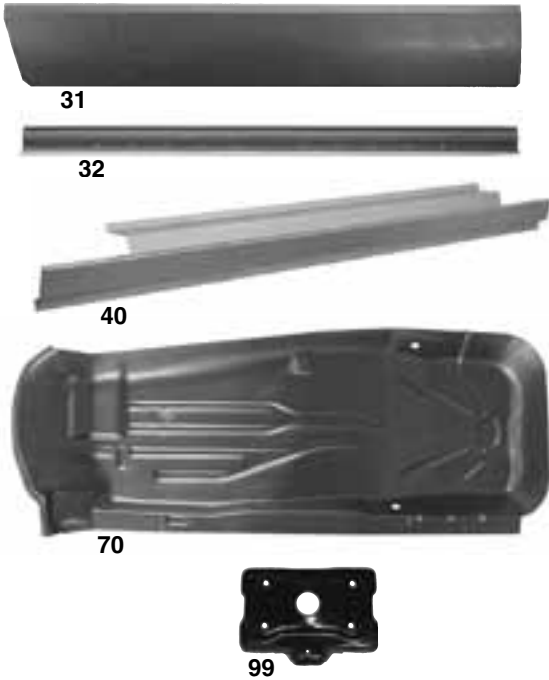
Outside door handle, chrome, specify L or R	78-80	55-78-381
Window crank handle w/black knob, universal		53-58-380
Window crank handle w/clear knob, universal		53-58-383

Specify LH (Drivers Side) or RH (Passenger Side) When Ordering.





**BUICK REGAL 81-87**



**REPLACEMENT SHEETMETAL**

Index#	Description	Year	Mill Part#
N.I.	Hood latch	81-87	50-73-13
31	Lower outer doorskin, 2DR	81-87	64-81-31
32	Inner door bottom, 2DR	81-87	59-81-32
40	Rocker panel, 2DR with extension	78-87	59-78-40
70	Full length floor pan halves, 25"W x 65"L	81-87	55-78-70
N.I.	Battery hold down bracket	81-87	55-78-98
99	Battery tray	81-87	55-78-99

**GAS TANKS**

Gas tank w/o filler neck, exc. station wagon	78-87	55-78-111
Gas tank w/o filler neck, 2DR Turbo	84-87	59-85-115
Straps for gas tanks, set	78-87	55-78-115

**DOOR & WINDOW CRANK HANDLES**

Outside door handle, chrome, specify L or R	78-87	55-78-381
Window crank handle w/black knob, universal		53-58-380
Window crank handle w/clear knob, universal		53-58-383

**WEATHERSTRIP**

Belt weatherstrip set, 4PC, inner/outer, L/R, with black bead	81-87	593-81-101
---	-------	------------

**BUICK REGAL 91-96 Sedan**

**REPLACEMENT SHEETMETAL**

Index#	Description	Year	Mill Part#
N.I.	Fender, Sedan	91-92	159-91-21
N.I.	Fender, Sedan	93-96	159-93-22
N.I.	Fender liner, Custom Sedan	91-96	159-91-24

**BUICK CENTURY 97-05  
BUICK REGAL 97-04**



**REPLACEMENT SHEETMETAL**

Index#	Description	Year	Mill Part#
42	Rocker Panel, 4DR (Regal 97-04; Century 97-05)	97-05	159-97-42
N.I.	Rocker Panel, outer skin only	97-05	159-97-43
54	Dog leg (Regal 97-04; Century 97-05)	97-05	159-97-54

**BUICK SKYLARK 92-98  
PONTIAC GRAND AM 92-98**



**REPLACEMENT SHEETMETAL**

Index#	Description	Year	Mill Part#
40	Rocker panel with extension, 2DR	92-98	650-92-40
42	Rocker panel, 4DR	92-98	650-92-42

Specify LH (Drivers Side) or RH (Passenger Side) When Ordering.



**Bold Type** - New Item • \* - Too Large for UPS • N.I. - Not Illustrated  
800-888-5072 • Toll Free Fax 888-781-2700  
visit our web site: [www.rustrepair.com](http://www.rustrepair.com)



All manufacturers' names, numbers, and descriptions are used for reference purposes only. It is not implied that any part listed is the product of the original manufacturers or approved by any of these manufacturers.



**BUICK SKYLARK**

**67-72**

Specify LH (Drivers Side)  
or RH (Passenger Side)  
When Ordering.

22



55-64-39



55-68-39



55-64-40



42



43



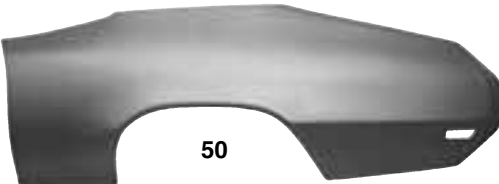
55-68-40



67



50



70



72



55-64-73



55-64-74



55-64-75



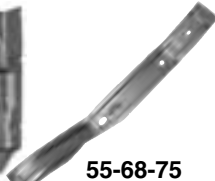
55-68-73



55-68-74



55-68-75



77



78



91



80

**REPLACEMENT SHEETMETAL**

Index#	Description	Year	Mill Part#
22	Front fender lower rear sec, 16"H	68-69	68-68-22
22	Front fender lower rear sec, 16"H	70-72	68-70-22
39	Rocker, 2DR, factory style	67	55-64-39
39	Rocker, 2DR, factory style	68-72	55-68-39
40	Rocker, 2DR	67	55-64-40
42	Rocker, 4DR	67	55-64-42
43	Rocker, 2DR w/extension	67	55-64-43
N.I.	Inner rocker	68-72	55-68-45
40	Rocker, 2DR w/extension	68-72	55-68-40
<b>N.I.</b>	<b>Rear quarter up to crown line</b>	<b>68-69</b>	<b>*68-68-50</b>
50	Stamped rear quarter panel, 2DR, 22"H	70-72	*68-70-50
67	Inner rear wheelhouse	67	55-64-67
N.I.	Inner rear wheelhouse, full panel (not shown)	68-72	55-68-68
70	Floor pan half, trim 3" off rear for 68-72	67-72	55-64-70
N.I.	Floor pan complete, 1 piece design w/floor braces	68-72	*55-68-70A
N.I.	Front floor pan	67-72	55-64-71
72	Rear floor pan, trim 3" off rear for 68-72	67-72	55-64-72
N.I.	Floor pan under rear seat, 30L x 25"W, specify L or R	67	55-64-72A
73	Trunk floor center, alter to fit	67	55-64-73
74	Trunk floor side, alter to fit	67	55-64-74
75	Trunk floor brace, alter to fit	67	55-64-75
73	Trunk floor center	68-72	55-68-73
74	Trunk floor side	68-72	55-68-74
75	Trunk floor brace	68-72	55-68-75
N.I.	Floor to firewall panel extension	67	55-64-76
77	Full front floor brace	67-72	55-64-77
78	Full middle floor brace	67-72	55-64-78
80	Trunk floor, full one piece design, 34"L x 56"W	68-72	*55-68-80
N.I.	Trunk floor front cross member	68-69	55-68-86
91	Battery tray	68-72	55-68-91

**GAS TANKS**

Description	Year	Part No.
All except station wagon	64-67	68-64-110
All except station wagon	68-69	68-68-111
All except station wagon, w/ evap. emiss. cont.	70	68-70-113
All except station wagon	71-72	68-71-114

**WEATHERSTRIP**

Description	Year	Part No.
Molded door seal, Hardtop and Convertible, R & L	64-65	LM-12-C
Molded door seal, 2-Door Sedans Only, R & L	64-65	LM-12-D
Molded door seal, 2-Door Hardtops and Convertibles, R & L	66-67	LM-12
Molded door seal, Hardtops and Convertibles, R & L	68	LM-12-B
Molded door seal, 2-Door Hardtops and Convertibles, R & L	69-72	LM-12-A
Roof rail seals, 2-Door Hardtops Only, R & L	64-65	RR-5000
Roof rail seals, 2-Door Hardtops Only, R & L	66-67	RR-5001
Roof rail seals, Convertible Only, 7 Piece Set	66-67	RR-1609
Includes all right and left side top rail seals, plus the windshield top sponge seal.		
Incorporates all original details.		
Roof rail seals, Convertible Only, 7 Piece Set	68-72	RR-1610
Includes all right and left side top rail seals, plus the windshield top sponge seal.		
Incorporates all original details.		
Roof rail seals, 2-Door Hardtop, R & L	68	RR-5002
Roof rail seals, 2 Door Hardtops Only, R & L	69-72	RR-5003
Trunk Seal Kit	64-72	TK-46-16

Specify LH (Drivers Side) or RH (Passenger Side) When Ordering.

All manufacturers' names, numbers, and descriptions are used for reference purposes only. It is not implied that any part listed is the product of the original manufacturers or approved by any of these manufacturers.





**CHEV. CAMARO 1993 - 02**



40

**REPLACEMENT PANELS**

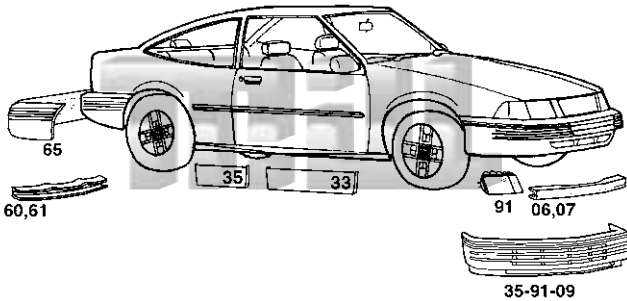
Index#	Description	Year	Mill Part#
N.I.	Rocker panel	93-02	52-93-40

**WEATHERSTRIP**

Door Belt Weatherstrip, 4pc. kit of inner/outer, L & R	93-02	52-93-101
--	-------	-----------

**CHEV. CAVALIER 1982 - 94**

**ALSO FITS:**  
**BUICK SKYHAWK 82-89;**  
**PONTIAC SUNBIRD, J 2000 82-94;**  
**OLDS FIRENZA, CADILLAC CIMARRON 82-88**



41



42

**REPLACEMENT SHEETMETAL**

Index#	Description	Year	Mill Part#
06	Front impact bar	88-90	35-88-06
07	Front impact bar	91-94	35-91-07
09	Front bumper cover, w/o Z-24, painted	91-94	*35-91-09
33	Doorskin, 4DR front, lower 9"	82-94	35-82-33
35	Doorskin, 4DR rear, lower	82-94	35-82-35
41	Rocker, 2DR, w/extension, see 82-87 for photo	82-94	35-82-41
42	Rocker, 4DR, see 82-87 for photo	82-94	35-82-42
60	Rear impact bar, coupe/conv./sedan and 88-94 Z-24	88-90	35-88-60
61	Rear impact bar, coupe/conv./sedan, exc Z-24	91-94	35-91-61
65	Rear bumper cover, exc Z-24 & wagon, painted	91-94	*35-91-65
91	Combination headlamp assembly	91-94	35-91-91

**CHEV. CAVALIER cont. 82 - 94**

**GAS TANKS**

Description	Year	Mill Part#
Gas tank w/fuel injection	82-91	35-82-110
Gas tank w/o fuel injection	82-87	35-82-111
Gas tank	92-94	35-92-111

**DOOR & WINDOW CRANK HANDLES**

Outside door handle, Black	82-94	93-82-386
Outside door handle, Chrome	82-94	93-82-387
Inside door handle, chrome	82-90	35-82-382

**WEATHERSTRIP**

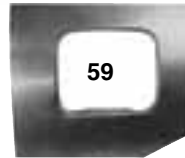
N.I. Weatherstrip, front door, 1 piece, fits L or R	82-94	60-82-96
---	-------	----------

**CHEV. CAVALIER 95 - 05**

**ALSO FITS: PONTIAC SUNFIRE**



41



59

**REPLACEMENT SHEETMETAL**

Index#	Description	Year	Mill Part#
N.I.	Upper tie bar	95-05	35-95-01
N.I.	Lower tie bar	95-05	35-95-02
N.I.	Doorskin, 2DR, cut for 4DR, 9" x 54"	95-05	35-95-31
41	Rocker, 2DR, w/extension, 55" L	95-05	35-95-41
N.I.	Rocker, 4DR, 69"L	95-05	35-95-42
N.I.	Rear quarter, lower front section, 5"H x 16"L	95-05	35-95-54
59	Gas tank door surround	95-05	35-*8-59

**CHEV. CELEBRITY 82 - 90**

**ALSO FITS: PONTIAC 6000 1982-91**



42

**REPLACEMENT SHEETMETAL**

Index#	Description	Year	Mill Part#
N.I.	Doorskin, 4DR, front, 8"Hx42"L, specify L or R	82-90	351-82-31
42	Rocker, 4DR, 74"L, specify L or R	82-90	801-82-42

**GEO METRO & TRACKER SEE PAGE 79**

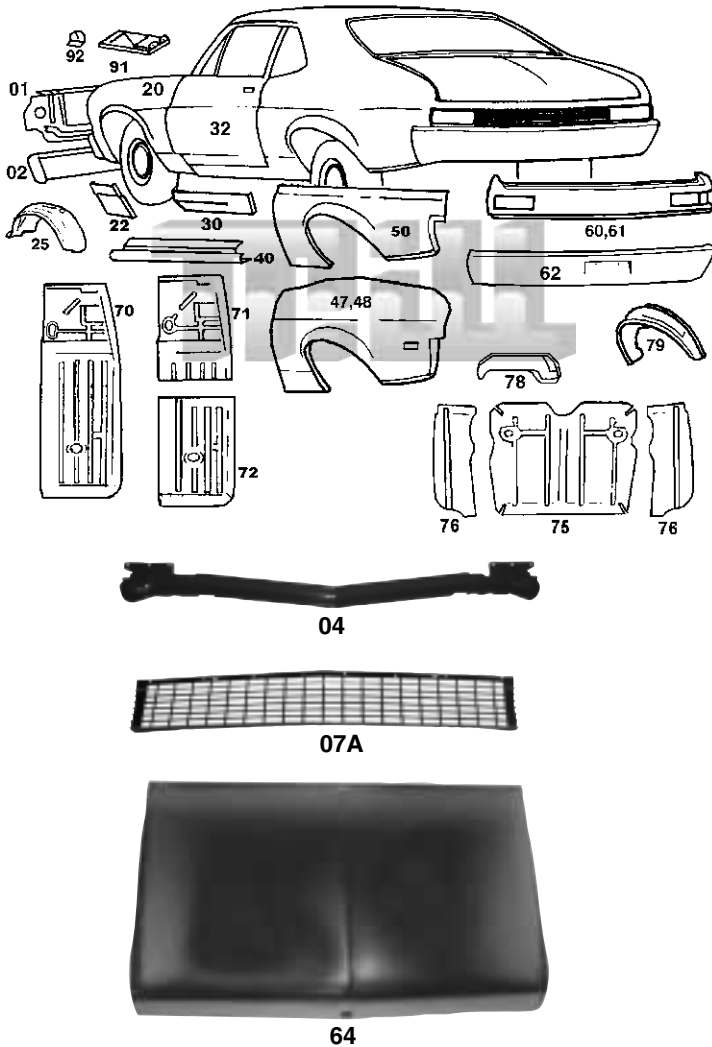
Specify LH (Drivers Side) or RH (Passenger Side) When Ordering.





**CHEV. NOVA** 68-74  
**CHEVY II** 68

**BUICK APOLLO/OLDS. OMEGA/PONTIAC VENTURA**



Index#	Description	Year	Mill Part#
25	Front inner fender (wheelhouse)	68-74	54-68-25
N.I.	Shock tower support/bolt plate, specify L or R	68-74	54-68-27
30	Lower doorskin, 2DR, 7"H	68-79	54-68-30
32	Front doorskin, 2DR, 27"H (modify for 73-74 models)	68-72	*54-68-32
40	Rocker panel, 2DR, 64"L, slip on style	68-79	54-68-40
N.I.	Rocker panel, 2DR, factory style	68-79	54-68-41
N.I.	Inner rocker, factory style	68-79	54-68-44
N.I.	Inner rocker panel assembly w/kick panel support	68-72	54-68-45
47	Rear quarter panel, 2DR sedan, fits Nova, 80% full, 25"H	68-69	*54-68-47
N.I.	Rear quarter panel, 2DR sedan, w/sail panel & door jamb	68-69	*54-68-47A
48	Rear quarter panel, 2DR sedan, fits Nova/Ventura, 80% full	70-72	*54-70-48
N.I.	Rear quarter panel, 2DR sedan w/sail panel & door jamb fits Nova/Ventura II	70-72	*54-70-48A
50	Rear quarter, 20"H, 2DR sedan and hatchback (alter at marker hole for 68-72 models) (extra metal is added to the top of this panel for strengthening purposes while in transit, this metal will need to be trimmed off)	73-74	*54-68-50
60	Tail light panel, fits Nova	68-69	54-68-60
61	Tail light panel, fits Nova	70-72	54-70-61
61	Tail light panel, fits Nova	73-74	54-73-61
62	Rear Bumper, fits Nova	68-72	54-68-62
N.I.	Rear deck filler panel, 2DR sedan	68-74	54-68-63
64	Trunk lid, Nova/Ventura II, exc. hatchback	68-74	*54-68-64
N.I.	Trunk gutter side brace, specify L or R	68-72	54-68-66
N.I.	Floor assembly w/braces, factory style	68-74	*54-68-67
70	Floor pan half, full length, 56"L x 18"W, specify L or R	68-79	54-68-70
71	Front floor pan half, 28" x 18"W, specify L or R	68-79	54-68-71
72	Rear floor pan half, 29"L x 18"W, specify L or R	68-79	54-68-72
N.I.	Toeboard 16"x19"	68-69	52-67-73
N.I.	Under rear seat brace, specify L or R	68-74	54-68-74A
75	Trunk floor center, except hatchback, 31"Lx40"L	68-72	54-68-75
76	Trunk floor side, except hatchback, 31"Lx12"W	68-72	54-68-76
78	Filler panel, trunk side (inner lower rear quarter)	68-74	54-68-78
79	Outer rear wheelhouse	68-74	54-68-79
91	Battery tray	68-74	54-68-91
92	Battery retainer	68-72	53-65-92
N.I.	Gas tank brace, 2 required, sold each	68-72	54-68-95

**GAS TANKS**

Gas tank w/o filler neck	74-79	54-73-111
Straps for gas tank	73-79	54-73-115

**WINDOW CRANK HANDLE**

Window crank handle w/black knob, universal	All	53-58-380
Window crank handle w/clear knob, universal	All	53-58-383

**WEATHERSTRIP**

Door Weatherstrip w/clips, 2DR, pair	68-74	4020
Door Weatherstrip, w/clips, 4DR, front, pair	68-74	4081
Door Weatherstrip, w/clips, 4DR, rear, pair	68-74	4081A
Window Weatherstrip w/ correct bead, 2DR, set	68-74	40741
Window Weatherstrip, 4DR, set	68-72	40752

**DASH TOP COVERS**



DashTop covers fit right over existing dash, makes your dash look new again.

Description	Year	Mill Part #
Dashtop without A/C, fits Nova	69-74	DT-205
Dashtop with A/C, fits Nova	69-74	DT-211

**REPLACEMENT SHEETMETAL**

Index#	Description	Year	Mill Part#
01	Radiator support (modify for L6, big block V8 and 73-74 w/AC or HD radiator)	68-74	*54-68-01
02	Front Bumper, fits Nova	70-72	54-70-02
04	Filler panel, grille to bumper, plastic, Nova	68-72	54-68-04
N.I.	Upper inner cowl panel	68-70	52-67-15
07A	Grille, fits Nova SS	70-72	54-70-07A
N.I.	Front edge moulding assembly for hood	68-72	54-68-11
N.I.	Engine mount, fits 307 cu.in. V8 engine	68-72	53-68-12
N.I.	Engine mount, fits 350 cu.in V8 engine	69-72	53-69-12B
N.I.	Upper dash panel, steel	68-74	52-69-13
N.I.	Armrest base, black plastic, paint to match, with deluxe interior, specify L or R	68	53-68-14
N.I.	Cowl side panel, specify L or R	67-69	52-67-15A
N.I.	Armrest base mouldings, stainless steel, set of L & R	68	53-68-17
N.I.	Kick panel support (hinge pillar to rocker reinf.)	68-72	52-67-18
20	Front fender, fits Nova	68-69	*54-68-20
20	Front fender, fits Nova	70-74	*54-70-20
22	Front fender lower rear sec, 12"H	68-74	54-68-22

Specify LH (Drivers Side) or RH (Passenger Side) When Ordering.

All manufacturers' names, numbers, and descriptions are used for reference purposes only. It is not implied that any part listed is the product of the original manufacturers or approved by any of these manufacturers.

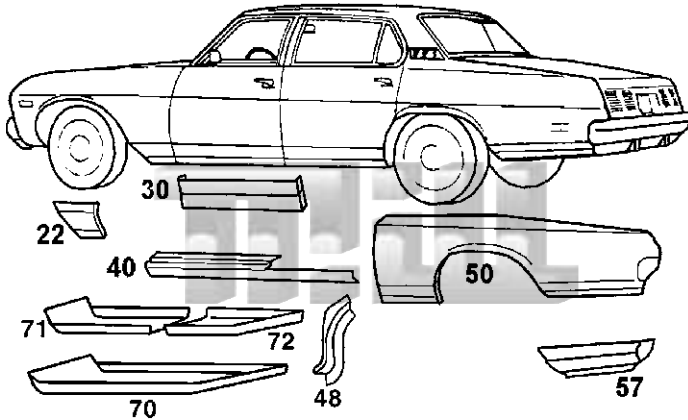


**Bold Type** - New Item • \* - Too Large for UPS • N.I. - Not Illustrated  
800-888-5072 • Toll Free Fax 888-781-2700  
visit our web site: www.rustrepair.com



**CHEV. NOVA 75-79**

BUICK APOLLO  
OLDS OMEGA  
PONTIAC VENTURA



**REPLACEMENT SHEETMETAL**

Index#	Description	Year	Mill Part#
22	Front fender lower rear sec, 13"H	75-79	54-75-22
30	Doorskin, 2DR, lower 7"H	68-79	54-68-30
40	Rocker panel, with lower quarter, 2DR	68-79	54-68-40
N.I.	Rocker panel, 2DR, factory style	68-79	54-68-41
N.I.	Inner rocker, factory style	68-79	54-68-44
48	Dog leg, outer, 4DR	75-79	54-75-48
50	Rear quarter, 20"H, 2 Door only	75-79	*54-75-50
57	Rear quarter, lower rear sec, 12"H, 2 or 4 DR	75-79	54-75-57
70	Floor pan half, full length, 56"L x 18"W, specify L or R	68-79	54-68-70
71	Front floor pan half, 28"Lx18"W, specify L or R	68-79	54-68-71
72	Rear floor pan half, 29"Lx18"W, specify L or R	68-79	54-68-72

**GAS TANKS**

Gas tank w/o filler neck	74-79	54-73-111
Straps for gas tanks	73-79	54-73-115

**DOOR & WINDOW CRANK HANDLE**

Inside door handle, chrome, specify L or R	35-82-382
Window crank handle w/black knob, universal	53-58-380
Window crank handle w/clear knob, universal	53-58-383

**WEATHERSTRIP**

Door Weatherstrip w/clips, 2DR, pr	75-79	4024
Door Weatherstrip, w/clips, 4DR, front, pr	75-79	40813
Door Weatherstrip, w/clips, 4DR, rear, pr	75-79	40814

**DASHTOPS**

DashTop covers fit right over existing dash, makes your dash look new again.



Description	Year	Mill Part #
Dashtop without A/C, fits Nova	75-76	DT-224
Dashtop with A/C, fits Nova	75-76	DT-237

**CHEV. VEGA, PONTIAC ASTRE 71-77**

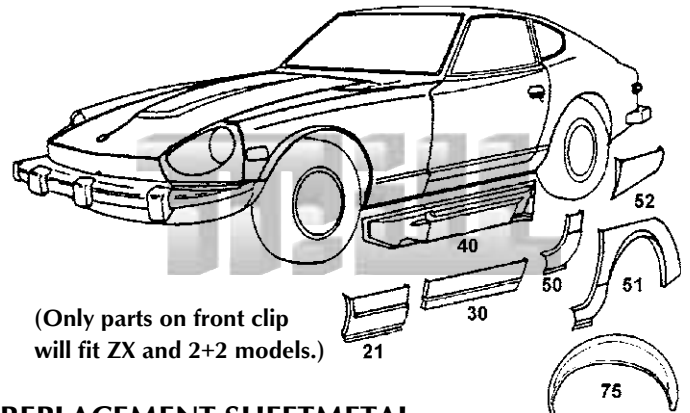
**REPLACEMENT SHEETMETAL**

Index#	Description	Year	Mill Part#
N.I.	Rear quarter skin, 2DR	71-77	*63-71-50

**WINDOW CRANK**

Window crank handle w/black knob, universal	53-58-380
Window crank handle w/clear knob, universal	53-58-383

**DATSUN 240Z/260Z/280Z 70-78**



(Only parts on front clip will fit ZX and 2+2 models.)

**REPLACEMENT SHEETMETAL**

Index#	Description	Year	Mill Part
21	Front fender lower rear, 11"H	70-78	167-70-21
30	Doorskin, outer 8"H	70-78	167-70-30
40	Rocker	70-78	167-70-40
50	Rear quarter lower front, 11"H	70-78	167-70-50
51	Rear wheel arch w/lower front qtr.	70-78	167-70-51
52	Rear quarter lower rear, 10"H	70-6/74	167-70-52
75	Rear wheelhouse, outer half	70-78	167-70-75

**DATSUN/NISSAN 280ZX 79-83**

**REPLACEMENT SHEETMETAL**

Index#	Description	Year	Mill Part#
N.I.	Center valance	79-83	167-79-01

**DODGE ARIES/PLYMOUTH RELIANT 81-89**

ALSO FITS: DODGE 400/600 1982-88



**REPLACEMENT SHEETMETAL**

Index#	Description	Year	Mill Part#
42	Rocker panel, 4DR	81-89	77-81-42

Specify LH (Drivers Side) or RH (Passenger Side) When Ordering.



**Bold Type** - New Item • \* - Too Large for UPS • N.I. - Not Illustrated  
800-888-5072 • Toll Free Fax 888-781-2700  
visit our web site: www.rustrepair.com



All manufacturers' names, numbers, and descriptions are used for reference purposes only. It is not implied that any part listed is the product of the original manufacturers or approved by any of these manufacturers.